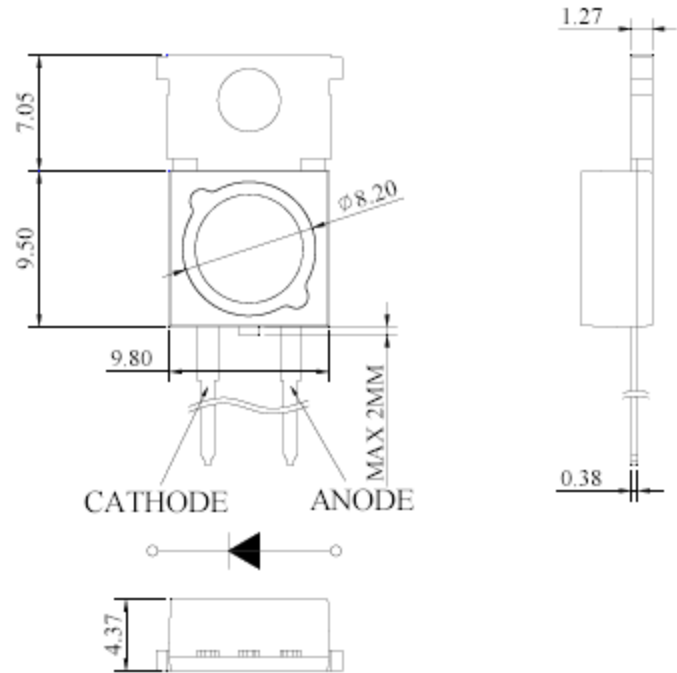




Non Lens(120°) Dip Package Outlines



SELECTOR GUIDE

Part Number	Dice	Lens Color / Type	Pack Size	View Angle $2\theta_{1/2}$
MTHF1000-YL	Yellow	No Lens	1-Watt	120 °

ELECTRICAL / OPTICAL CHARACTERISTICS AT $T_A=25^\circ\text{C}$

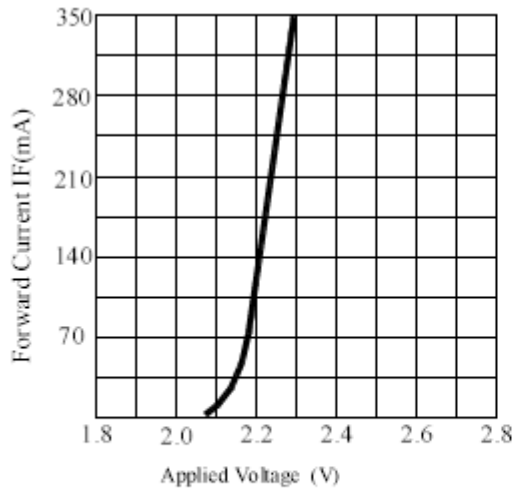
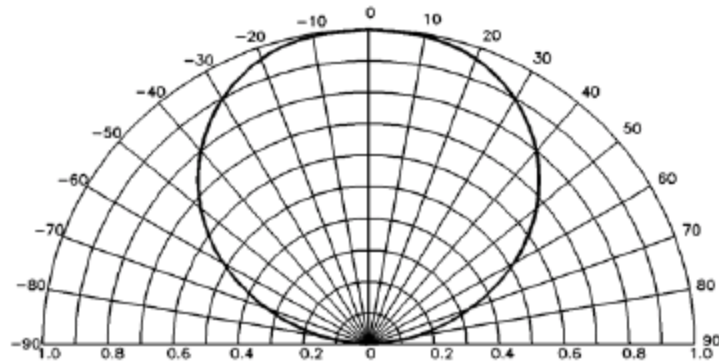
Parameter	Symbol	Device	Min.	Typ.	Max.	Units	Test Conditions
Forward Voltage	V_F	Yellow	-	2.20	2.80	V	350mA
Reverse Current	I_R	Yellow	-	-	50	μA	5V
Luminous Intensity	I_v	Yellow	10.7	20.00	-	lm	350mA
Peak Wavelength	λ_{peak}	Yellow	-	AVL UPON REQUEST	-	nm	350mA
Dominant Wavelength	λ_D	Yellow	-	590	-	nm	350mA
Spectral Line Half-Width	$\Delta\lambda_{1/2}$	Yellow	-	NA	-	nm	350mA

ABSOLUTE MAXIMUM RATINGS AT $T_A=25^\circ\text{C}$

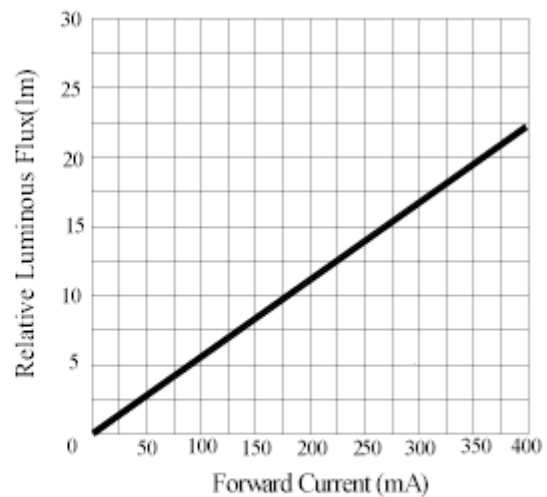
Parameter	Rating	Units
Forward Current (I_F)	350	mA
Power Dissipation (P_D)	-	mW
Reverse Voltage (V_R)	5	V
Operating Temperature (T_{OPR})	-40 ~ +75	$^\circ\text{C}$
Storage Temperature (T_{STG})	-40 ~ +105	$^\circ\text{C}$
Lead Solder Temperature (T_{SOL})	260 @ for 10 sec. max	

1. All Dimensions Are In Millimeters (inches).
2. Tolerance Is +0.25(0.01") Unless Otherwise Noted.
3. Specifications Are Subject To Change Without Notice.

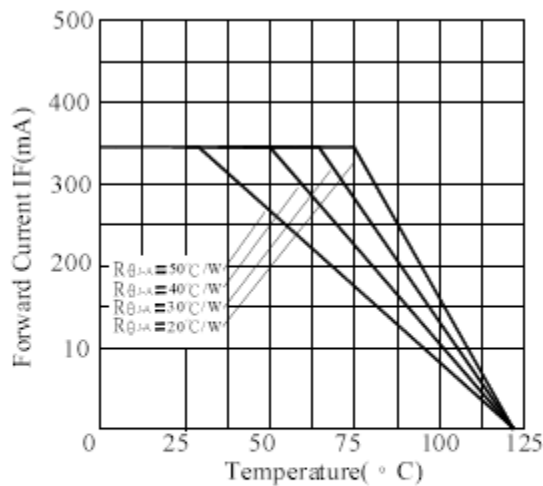
Typical Radiation Pattern for Non Lens(201/2 : 120±10°)



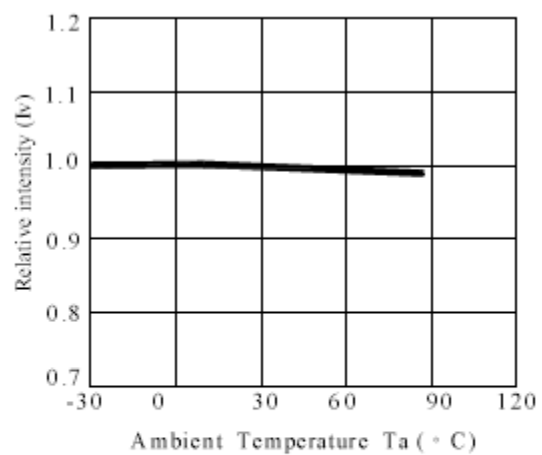
Forward Current VS. Applied Voltage



Forward Current VS. Luminous Intensity



Ambient Temperature VS. Forward Current



Relative intensity VS. Ambient Temperature

Wavelength Spectrum of Yellow

