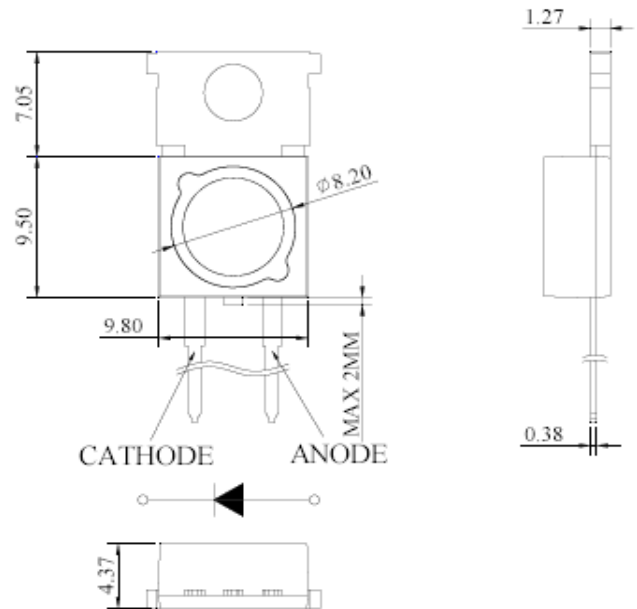




**Non Lens(120°) Dip Package Outlines**



**SELECTOR GUIDE**

Part Number	Dice	Lens Color / Type	Pack Size	View Angle 2θ 1/2
MTHF1000-PG	Green	No Lens	1-Watt	120 °

**ELECTRICAL / OPTICAL CHARACTERISTICS AT T<sub>A</sub>=25°C**

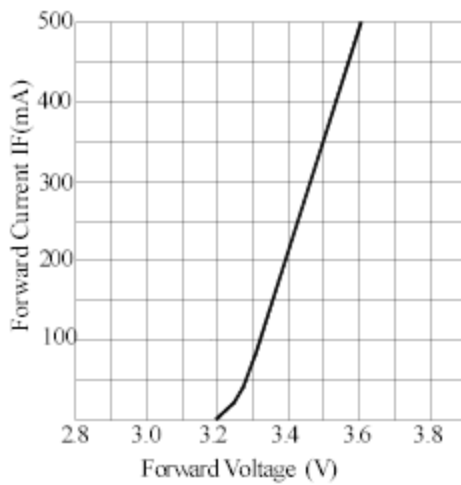
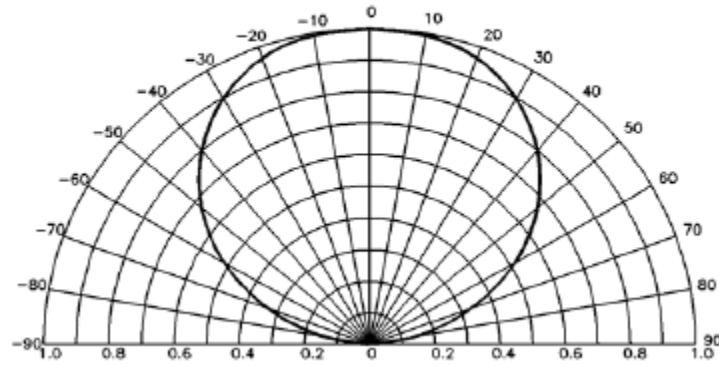
Parameter	Symbol	Device	Min.	Typ.	Max.	Units	Test Conditions
Forward Voltage	V <sub>F</sub>	Green	-	3.475	4.25	V	350mA
Reverse Current	I <sub>R</sub>	Green	-	-	50	μA	5V
Luminous Intensity	I <sub>v</sub>	Green	13.90	26.8	-	lm	350mA
Peak Wavelength	λ <sub>peak</sub>	Green	-	AVL UPON REQUEST	-	nm	350mA
Dominant Wavelength	λ <sub>D</sub>	Green	-	525	-	nm	350mA
Spectral Line Half-Width	Δλ <sub>1/2</sub>	Green	-	NA	-	nm	350mA

**ABSOLUTE MAXIMUM RATINGS AT T<sub>A</sub>=25°C**

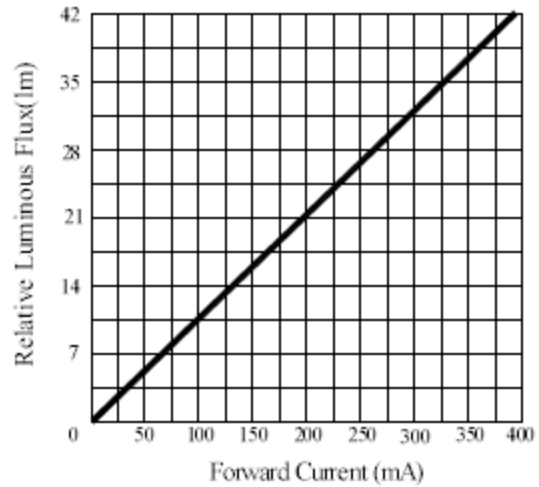
Parameter	Rating	Units
Forward Current ( I <sub>F</sub> )	350	mA
Power Dissipation ( P <sub>D</sub> )	-	mW
Reverse Voltage ( V <sub>R</sub> )	5	V
Operating Temperature ( T <sub>OPR</sub> )	-40 ~ +75	°C
Storage Temperature ( T <sub>STG</sub> )	-40 ~ +105	°C
Lead Solder Temperature ( T <sub>SOL</sub> )	260 @ for 10 sec. max	

1. All Dimensions Are In Millimeters (inches).
2. Tolerance Is +0.25(0.01") Unless Otherwise Noted.
3. Specifications Are Subject To Change Without Notice.

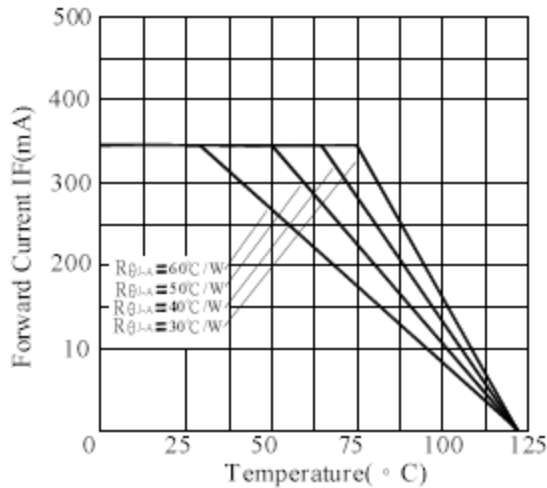
Typical Radiation Pattern for Non Lens(201/2 : 120±10°)



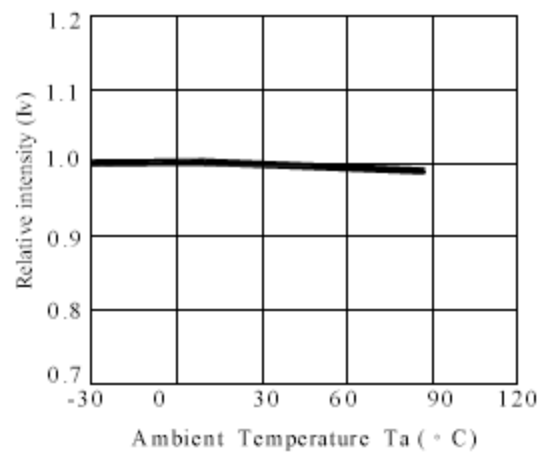
Forward Current VS. Applied Voltage



Forward Current VS. Luminous Intensity



Ambient Temperature VS. Forward Current



Relative intensity VS. Ambient Temperature

Wavelength Spectrum of Green

