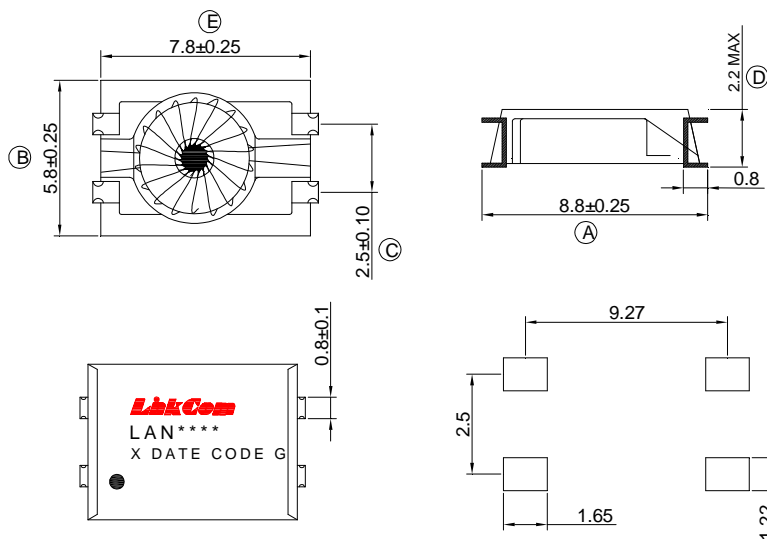


**SMART-DAA Transformer**

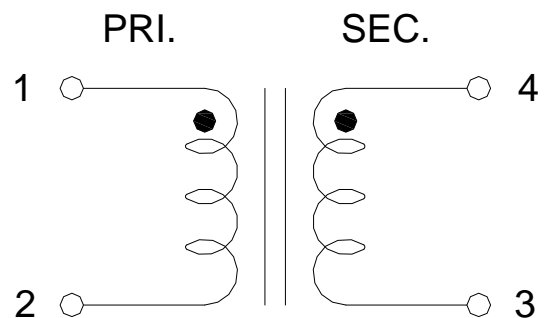
- Approved by LSI for their SMART-DAA solution
- RoHS Compliant
- Surface Mountable package
- Operating Temperature 0°C~70°C

Electrical Specifications @25°C	
OCL:	Pri.=Sec. : 60uH Min. @100KHz/0.1V
Leakage Indutance:	100nH Max. @100KHz/0.1V
Interwining Capacitance:	5pF Max. @100KHz/0.1V
Hi-POT :	2000 V
D.C.R:	Pri.: 0.25 ohm Max. Sec.: 0.25 ohm Max.
Turn Ratio:	Pri: Sec=1:1±3%

**Dimensions** (Units: mm)



**Schematic**



**Mark**

- 1.LAN\*\*\*\*----LAN0061-51
2. X----PRODUCT LINE OR BLANK
3. DATE CODE----YYWW
4. G----RoHS

Unless otherwise specified, all tolerances are ±0.25