

SMD Power Inductor CDH11D23/HP



■ Features

- ◎ 11.0 × 11.0mm Max. (L × W), 2.5mm Max. Height.
- ◎ Operating temperature range: -40°C~+105°C.
- ◎ RoHS and Halogen-Free Compliance.

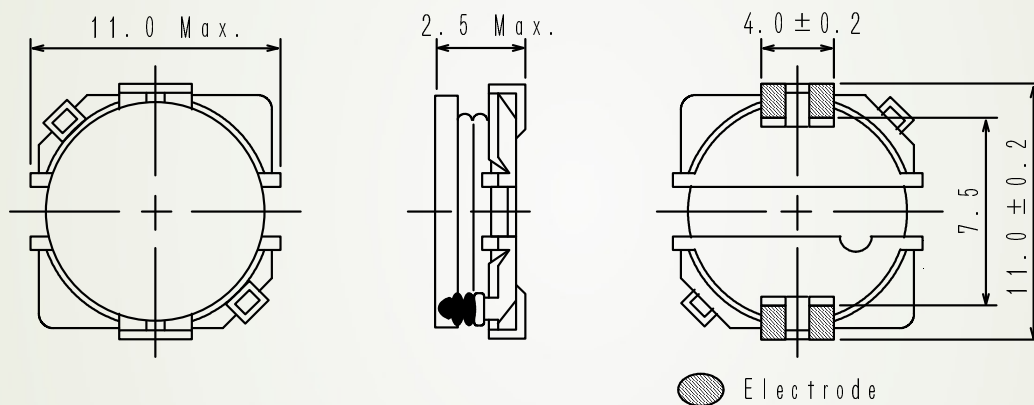


■ Applications

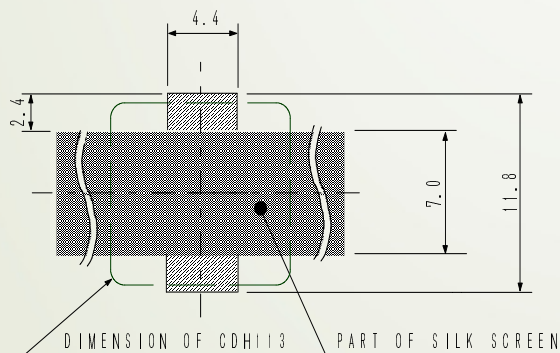
Surface mount inductor for LCD-M,LED of DC/DC converter.

■ Shapes and Dimensions/Recommended Land Patterns(mm)

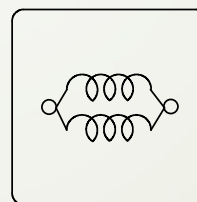
◆ Dimensions



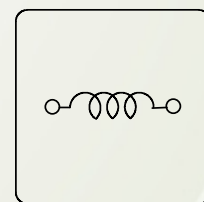
◆ Land pattern



◆ Schematics (Bottom)



(10 μH ~ 22 μH)



(33 μH ~ 100 μH)

SMD Power Inductor CDH11D23/HP



■Electrical Characteristics specification.

Part Name	Stamp	Inductance (μ H) 100kHz/1V	D.C.R. (m Ω) Max.(Typ.) (20°C)	Saturation Current (A) ※1		Temperature Rise Current (A) ※2
				at 20°C	at 105°C	
CDH11D23HPPHF-100MC	100	10 \pm 20%	127 (101)	3.65	3.10	2.30
CDH11D23HPPHF-150MC	150	15 \pm 20%	197 (158)	3.00	2.56	1.80
CDH11D23HPPHF-180MC	180	18 \pm 20%	214 (171)	2.72	2.32	1.57
CDH11D23HPPHF-220MC	220	22 \pm 20%	303 (243)	2.48	2.08	1.36
CDH11D23HPPHF-330MC	330	33 \pm 20%	435 (348)	1.96	1.68	1.14
CDH11D23HPPHF-470MC	470	47 \pm 20%	658 (526)	1.66	1.42	0.90
CDH11D23HPPHF-560MC	560	56 \pm 20%	731 (585)	1.54	1.32	0.80
CDH11D23HPPHF-680MC	680	68 \pm 20%	975 (779)	1.38	1.17	0.73
CDH11D23HPPHF-820MC	820	82 \pm 20%	1110 (884)	1.26	1.09	0.68
CDH11D23HPPHF-101MC	101	100 \pm 20%	1210 (1010)	1.18	0.99	0.64

※1 Saturation Current: The DC current at which the inductance decreases to 70% of it's nominal value.

※2 Temperature rise current: The DC current at which the temperature rise is $\Delta t=40^{\circ}\text{C}$ ($T_a=20^{\circ}\text{C}$).

For More Information

Hong Kong

Tel.+852-2880-6688
FAX.+852-2565-9600

Shanghai

Tel.+86-021-58363299
FAX.+86-021-58363266

Shenzhen

Tel.+86-755-82910228
FAX.+86-755-82910338

Taipei

Tel.+886-2-27065228
FAX.+886-2-27065229

Tokyo

Tel.+81-3-5202-7112
FAX.+81-3-5202-7105

Seoul

Tel.+82-2-6237-0777
FAX.+82-2-6237-0778

Singapore

Tel.+65-6296-3388
FAX.+65-6296-3390

Malaysia

Tel.+60-3-8733-0900
FAX.+60-3-8737-7384

Chicago

Tel.+1-847-545-6700
FAX. +1-847-545-6720

California

Tel.+1-408-321-9660
FAX. +1-408-321-9308

