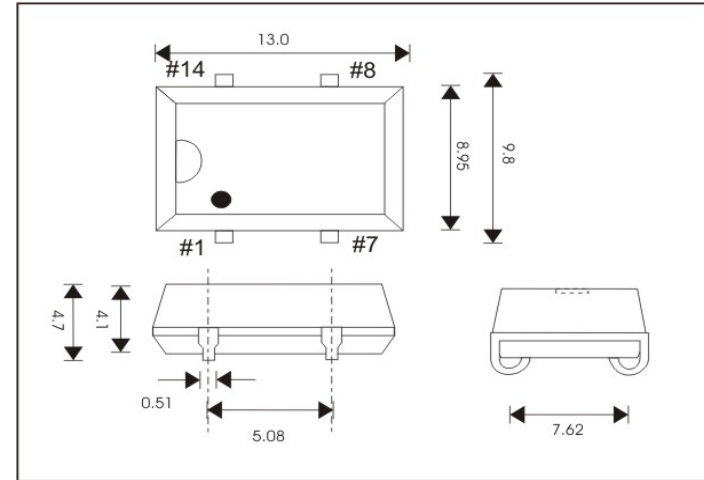




Description	Min	Typ	Max	Unit
Frequency Range	1		66.667	MHz
Overall Stability (+/-)	15		100	ppm
Supply Voltage	3.3		5	V
Operating Temperature Range	0~70		-40~+85	Deg C
Capacitive Load on Output		15	50	pF
TTL Load on Output	1		10	TTL
Supply Current:				
5V 1.0-23.9MHz			20	mA
5V 24-49.9MHz			30	mA
5V 50-66.667MHz			40	mA
3.3V 1.0-23.9MHz			15	mA
3.3V 24-49.9MHz			20	mA
3.3V 50-66.667MHz			30	mA
Output Voltage :				
High (5Vdd)	4.5			V
High (3.3Vdd)	2.4			V
Low (5Vdd)			0.5	V
Low (3.3Vdd)			0.5	V
Symmetry	40:60	45:55	48:52	%
Jitter		1		pS
Rise/Fall time (frequency dependant)	1	5	8	nS
Start up Time			10	mS

AEL Crystals Ltd. Reserve the right to amend specifications without notification. Please ensure you have the latest issue

\*please contact our Sales Office for further options



### Pin Assignments

Pin 1	Tri-State (4510)
Pin 2	Ground
Pin 3	Output
Pin 4	+V DC

### Tri-State Voltages

N.C	Output Active
>2.2V	Output Active
<0.8V	Output Disabled

(Pin 1 has internal pull up resistor to allow it to float High)

### Options and How to Specify

AEL45

Pin 1: 1=E/D

Supply voltage: 0=5V, 3=3.3V

Stability\* (+/-ppm): C=100, B=50, A=25

Temperature range: S=0~+70, I=-40~+85C

e.g. AEL4513BS 40MHz = E/D, 3.3V, +/-50ppm, 0~+70C, 40MHz

<b>TITLE</b>	AEL 45-series oscillator
Part Number	Contact Sales Office
Stock Number	Contact Sales Office
Issue Date	07/04/2006
Issue Number	1



Module "D", Airtech II  
Jenner Road, Manor Royal  
Crawley RH10 9GA