

Prosafe Trapped Key Interlock Switches

Slamlock Mechanical



Description

The Prosafe Slamlock combines the features of trapped keys with tongue actuated interlocks. When the actuator is inserted into the interlock (guard closed), the trapped key can be rotated and removed. With the key free, the actuator can not be removed thus locking closed the guard door. The trapped key must be re-inserted and rotated 90° to unlock the guard.

Slamlocks are manufactured in 316L stainless steel to provide a rugged, industrial grade method of interlocking guard doors.

One advantage of the slamlock is that there is no need to run power wires to the gate. Power is disconnected by a trapped key on a control panel or by a Prosafe RKS type unit and the key is then hand-carried to the gate by the operator.

The single key Slamlock (SSL) is used to interlock hatches, guards and doors where full body access is not required.

Dual key Slamlock (DSL) is similar to the single key version but has a secondary key to allow '2 key in' or 'key exchange' conditions. The key exchange version may be used where whole body access is required, as the secondary key can be used as a personnel key.

Features

- 316L stainless steel construction
- Selection of actuator types available
- Single or dual key versions available
- Direct drive operation
- Replaceable code barrel assembly
- Fitted with tamper resistant screws
- Weatherproof stainless steel dust cap as standard
- Conforms to EN 292, EN 1088, GS ET 19

The Prosafe Advantage



Stainless steel construction.

Specifications

Standards	EN292-1&2, EN1088, IEC/EN60947-5-1, GS-ET-19, ISO12100-1&2, ISO14119, AS4024.1
Category	Cat. 1 per EN 954-1 (ISO 13849-1) Suitable for Cat. 2, 3, or 4 systems
Approvals	BG, CE marked for all applicable directives, and C-Tick not required
Operating Temperature	-40°C to +200°C (-40°F to +392°F)
Mechanical Operations	In excess of 10 ⁵ operations under normal working conditions.
Max Shear Force to Key	15.1kN (3398lbs)
Max Torque to Key	14Nm (124lb•in)
Humidity	95% RH
Weight	Single key version 760gm (0.76kg (1.68lbs)) Dual key version 1332gm (1.33kg (2.93lbs))
Code Barrels	Tested to 100,000 operations
Ambient Working Temp	-10°C to +50°C (14°F to +122°F)
Material	316L Stainless Steel
Mounting	SSL 2 x M5 Counterbored from Top or 2 x M5 from Underside with Nuts DSS 4 x M5 Counterbored from Top or 4 x M5 from Underside with Nuts
Max Holding Force	2000N (450lbs)

Product Selection

Type	Key Condition	Actuator	Catalogue Number
Single Key	Key Trapped to Release Actuator	Standard	440T-MSSLE10①
		Flexible	440T-MSSLE11①
		Flat	440T-MSSLE12①
Dual Key	Primary Key Trapped, Secondary Key Free to Release Actuator	Standard	440T-MDSLE10①②
		Flexible	440T-MDSLE11①②
		Flat	440T-MDSLE12①②
	Both Keys Free to Release Actuator	Standard	440T-MDSLE20①①
		Flexible	440T-MDSLE22①①
		Flat	440T-MDSLE23①①

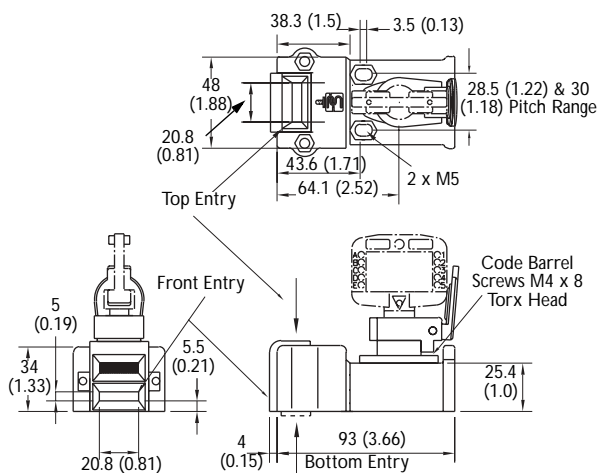
① Substitute the desired primary code for this symbol (key not included). See page 5-6 for code selection.

② Substitute the desired secondary code for this symbol (key included). See page 5-6 for code selection.

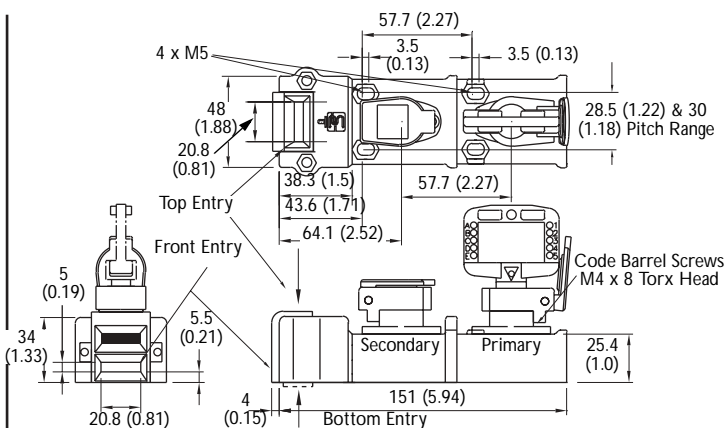
Approximate Dimensions—mm (inches)

Dimensions are not intended to be used for installation purposes.

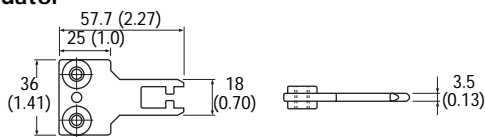
Single Key Slamlock



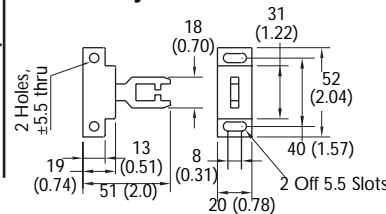
Double Key Slamlock



Flat Actuator



Flexible/Adjustable Actuator



Standard Actuator

