

PLEASE CHECK WWW.MOLEX.COM FOR LATEST PART INFORMATION

Part Number: [0738380006](#)
Status: **Active**
Overview: [cgrid_sl_products](#)
Description: 2.54mm (.100") SL™ Crimp Housing, Single Row, Version N, TPA™ with Positive Latch, 6 Circuits

Documents:

[3D Model](#) [Product Specification PS-73838-005 \(PDF\)](#)
[Drawing \(PDF\)](#) [RoHS Certificate of Compliance \(PDF\)](#)

General

Product Family Crimp Housings
 Series [73838](#)
 Comments Terminal Position Assurance (TPA™) Piece
 Overview [cgrid_sl_products](#)
 Product Name SL™

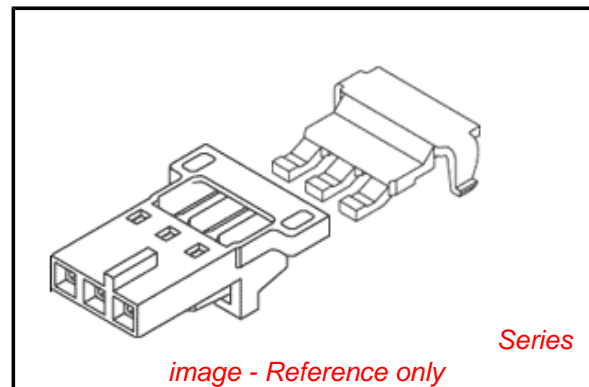
Physical

Circuits (maximum) 6
 Color - Resin Natural
 Gender Female
 Glow-Wire Compliant No
 Material - Resin Polyester Alloy
 Number of Rows 1
 Packaging Type Bag
 Panel Mount No
 Pitch - Mating Interface (in) 0.100 In
 Pitch - Mating Interface (mm) 2.54 mm
 Stackable No
 Temperature Range - Operating -40°C to +105°C

Material Info

Reference - Drawing Numbers

Packaging Specification PK-70873-0540
 Product Specification PS-73838-005
 Sales Drawing SD-73838-004



EU RoHS

**ELV and RoHS
 Compliant
 REACH SVHC
 Contains SVHC: No
 Halogen-Free
 Status**

China RoHS



Not Reviewed

**Need more information on product
 environmental compliance?**

Email productcompliance@molex.com
 For a multiple part number RoHS Certificate of
 Compliance, [click here](#)

Please visit the [Contact Us](#) section for any
 non-product compliance questions.

Search Parts in this Series

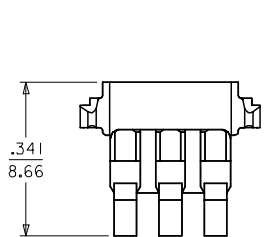
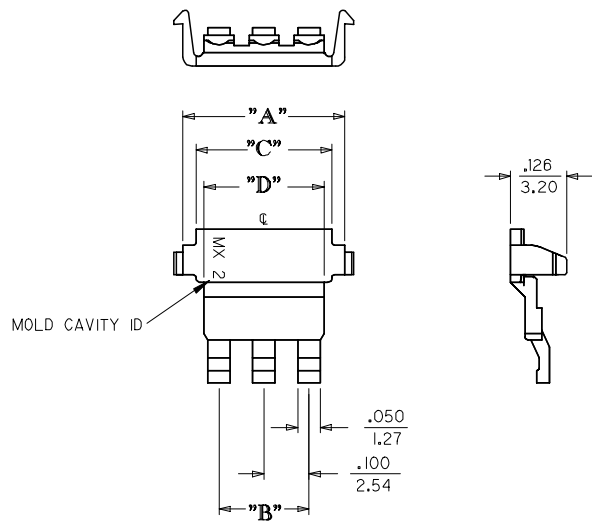
[73838Series](#)

Mates With

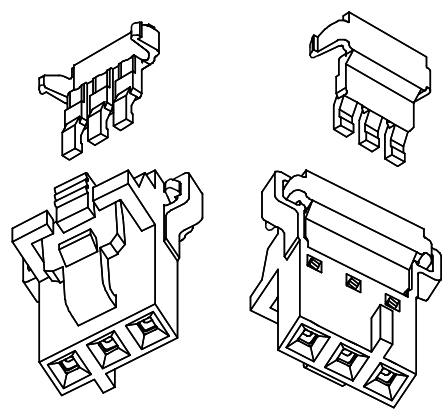
[70018](#) , [70543](#) , [70545](#) , [70553](#) , [70555](#) ,
[70107A](#) , [70107B](#)

Use With

[70058](#) , [71851](#) , [73838](#)



- NOTES:
 1) TERMINAL POSITION ASSURANCE (TPA) FOR USE WITH SL HOUSING, "N" OPTION, SERIES #70066 AND TERMINAL SERIES NUMBERS 70058 AND 71851.
 2) MATERIAL : GLASS FILLED POLYESTER, COLOR NATURAL, (WHITE) 94V-0,
 3) COMPONENTS SOLD SEPERATELY, NOT IN KIT FORM.
 4) THIS PRODUCT TO CONFORM TO MOLEX PRODUCT SPEC. PS-73838-999.
 5) MAXIMUM DIAMETER WIRE FOR THIS APPLICATION .064/1.62.
 6) PACKAGING PER PK-70873-0540.



TPA SHOWN ASSEMBLED TO 70066 HOUSING FOR REFERENCE ONLY

ITEM NUMBER	CKT SIZE	STATUS	DIM "A" ±.010/0.25	DIM "B" ±.010/0.25	DIM "C" ±.010/0.25	DIM "D" ±.010/0.25
73838-0002	2	TOOLED	.259/6.58	.100/2.54	.202/5.13	.166/4.22
73838-0003	3	TOOLED	.359/9.12	.200/5.08	.302/7.67	.266/6.76
73838-0004	4	TOOLED	.459/11.66	.300/7.62	.402/10.21	.366/9.30
73838-0005	5	TOOLED	.559/14.20	.400/10.16	.502/12.75	.466/11.84
73838-0006	6	TOOLED	.659/16.74	.500/12.70	.602/15.29	.566/14.38
73838-0007	7	TOOLED	.759/19.28	.600/15.24	.702/17.83	.666/16.92
73838-0008	8	TOOLED	.859/21.82	.700/17.78	.802/20.37	.766/19.46

MODIFY LEG TIPS EC NO: UCP2006-0223 DRAWNBARKER 2005/08/30 CHKD:HSMART 2005/09/06 APPR:SMILLER 2005/09/06 REVISION DESCRIPTION	QUALITY SYMBOLS	GENERAL TOLERANCES (UNLESS SPECIFIED)	DIMENSION STYLE	SCALE	DESIGN UNITS	THIRD ANGLE PROJECTION
	▽=0 ▽=0	mm INCH 4 PLACES ± --- ± --- 3 PLACES ± --- ±.010 2 PLACES ± 0.25 ±.015 1 PLACE ± 0.38 ± --- ANGULAR ±1/2°	IN/MM DRAWN BY DATE RE ISDORF 98/12/15 CHECKED BY DATE RE ISDORF 98/12/15 APPROVED BY DATE BRINKMAN 98/12/15 MATERIAL NO. DOCUMENT NO.	5:1	INCH	Molex MOLEX INCORPORATED
	DRAFT WHERE APPLICABLE MUST REMAIN WITHIN DIMENSIONS	SEE CHART	SD-73838-004	SHEET NO. 1 OF 1		
	THIS DRAWING CONTAINS INFORMATION THAT IS PROPRIETARY TO MOLEX INCORPORATED AND SHOULD NOT BE USED WITHOUT WRITTEN PERMISSION					