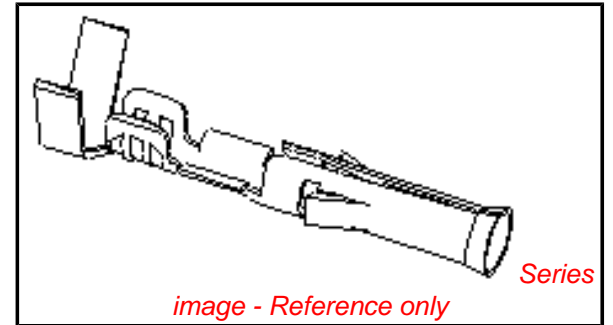


PLEASE CHECK WWW.MOLEX.COM FOR LATEST PART INFORMATION

Part Number: **0002091205**
Status: **Active**
Overview: standard .093
Description: 2.36mm (.093") Diameter, Standard .093" Pin and Socket Crimp Terminal, Series 4550, Female, with Tin (Sn) Plated Phosphor Bronze Contact, 14-20 AWG, Reel

Documents:

Drawing (PDF)	Product Specification PS-43660-9999 (PDF)
Product Specification PS-02-09 (PDF)	RoHS Certificate of Compliance (PDF)



General

Product Family	Crimp Terminals
Series	<u>4550</u>
Crimp Quality Equipment	Yes
Overview	<u>standard .093</u>
Product Name	Standard .093"

Physical

Durability (mating cycles max)	25
Gender	Female
Material - Metal	Phosphor Bronze
Material - Plating Mating	Tin
Material - Plating Termination	Tin
Packaging Type	Reel
Plating min: Mating (µin)	20
Plating min: Mating (µm)	0.50
Plating min: Termination (µin)	20
Plating min: Termination (µm)	0.50
Termination Interface: Style	Crimp or Compression
Wire Insulation Diameter	1.65-4.06mm (.065-.160")
Wire Size AWG	14, 16, 18, 20
Wire Size mm ²	N/A

Material Info

Old Part Number	4550-(P901)
-----------------	-------------

Reference - Drawing Numbers

Product Specification	PS-02-09, PS-43660-9999
Sales Drawing	SD-4550-*

EU RoHS

**ELV and RoHS
Compliant**
**REACH SVHC
Contains SVHC: No
Halogen-Free
Status**

China RoHS



**Need more information on product
environmental compliance?**

Email productcompliance@molex.com
 For a multiple part number RoHS Certificate of Compliance, [click here](#)

Please visit the [Contact Us](#) section for any non-product compliance questions.

Search Parts in this Series

4550Series

Use With

1619 Plug or Receptacle Housing, 1545 Plug or Receptacle Housing, 1396 Plug or Receptacle Housing, 1490 Plug or Receptacle Housing, 2629 Plug or Receptacle Crimp Housings, 1261 Plug or Receptacle Housing, 1292 Plug or Receptacle Housing, 1360 Plug or Receptacle Housing, 1375 Plug or Receptacle Housing, 3191 Plug or Receptacle Housing, 2163 Plug or Receptacle Housings

Application Tooling | FAQ

Tooling specifications and manuals are found by selecting the products below. Crimp Height Specifications are then contained in the Application Tooling Specification document.

Global

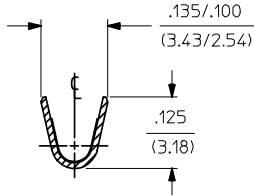
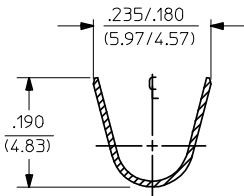
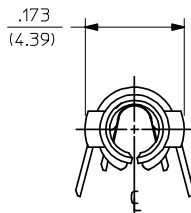
Description	Product #
Mini-Mac™ Applicator	<u>0638927100</u>

Mini-Mac™	<u>0638927300</u>
Applicator	
Insertion Tool	<u>0011020003</u>
Terminator Die	<u>0011402001</u>

This document was generated on 05/17/2010

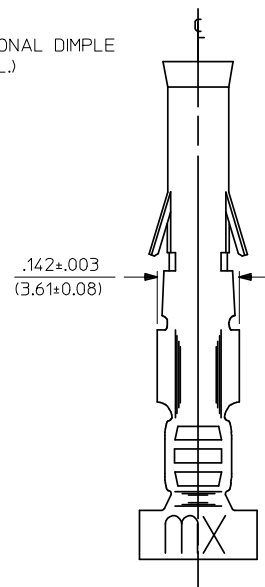
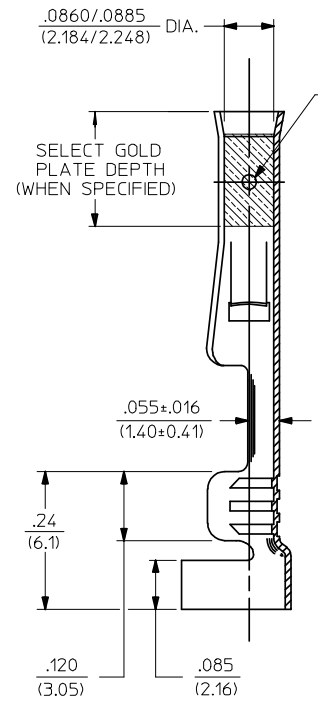
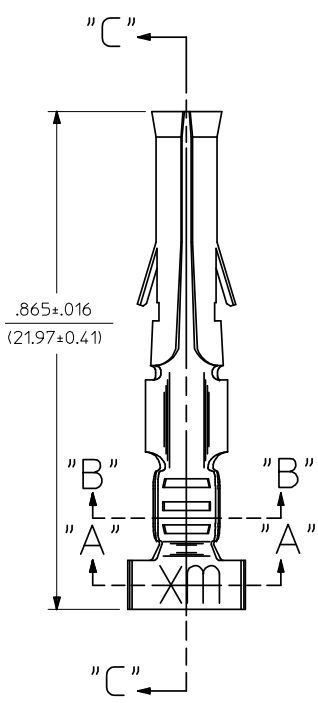
PLEASE CHECK WWW.MOLEX.COM FOR LATEST PART INFORMATION

PART NO.	ENG. NO.
02-09-1205	4550-(P901)
02-09-1206	4550-(P901)L
02-09-5169	4550-A(P558)
02-09-5170	4550-A(P558)L

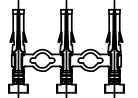


SECTION "A-A"

SECTION "B-B"



SECTION "C-C"



CHAIN FORM FULL SCALE

LEGEND

4550-*(*)*(**)*
 OPTIONAL DIMPLE
 BLANK=WITH DIMPLE
 A= WITHOUT DIMPLE
 P=PREPLATE
 BLANK=POSTPLATE
 FORM
 BLANK=CHAIN
 L=LOOSE
 FINISH CODE

NOTES:

1. MATERIAL: PHOSPHOR BRONZE
2. FINISHES:
 901 - HOT TIN DIP .000020/(0.00051) MIN.
 558 - SELECT GOLD PLATE .000030/(0.00076) MIN. IN CONTACT AREA, OVER .000050/(0.00127) MIN. NICKEL OVERALL WITH .000010/(0.00025) MAX. GOLD FLASH.
3. THIS PART CONFORMS TO PROD. SPEC. 02-09.
4. TERMINAL FOR USE WITH .093/(2.36) SERIES HOUSINGS AND WILL ACCEPT 14 THRU 20 AWG WIRE.
5. INSERTION FORCE: 3.5 LBS. MAX. WHEN TERMINAL IS INSERTED INTO AN .093 SERIES HOUSING.
6. RETENTION: 20 LBS. MIN. FROM HOUSING.

CORRECT DIMENSION EC NO: UCP2009-0419 DRAWING: GAVRILL 2008/08/18 CHKD: AELHAG 2008/08/19 APPR: FSM/TH 2008/08/20	QUALITY SYMBOLS ▽=0 ▽=0	GENERAL TOLERANCES (UNLESS SPECIFIED)		DIMENSION STYLE IN/MM		SCALE 6:1	DESIGN UNITS INCH	THIRD ANGLE PROJECTION		
		4 PLACES ± --- ± ---	3 PLACES ± --- ± .010	2 PLACES ± 0.25 ± .014	1 PLACE ± 0.35 ± ---	DRAWN BY GWC	DATE 1991/05/02	TITLE CRIMP TERMINAL, FEMALE		
		ANGULAR ±1/2°		DRAFT WHERE APPLICABLE MUST REMAIN WITHIN DIMENSIONS		CHECKED BY RW	DATE 1991/05/02			
		MATERIAL NO. SEE CHART		APPROVED BY GWF		DATE 1991/05/02		MOLEX INCORPORATED		
REV C1	DESCRIPTION	SIZE C		DOCUMENT NO. SD-4550-*		SHEET NO. 1 OF 1		THIS DRAWING CONTAINS INFORMATION THAT IS PROPRIETARY TO MOLEX INCORPORATED AND SHOULD NOT BE USED WITHOUT WRITTEN PERMISSION		