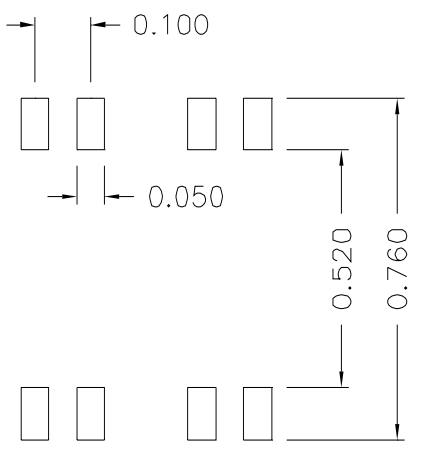
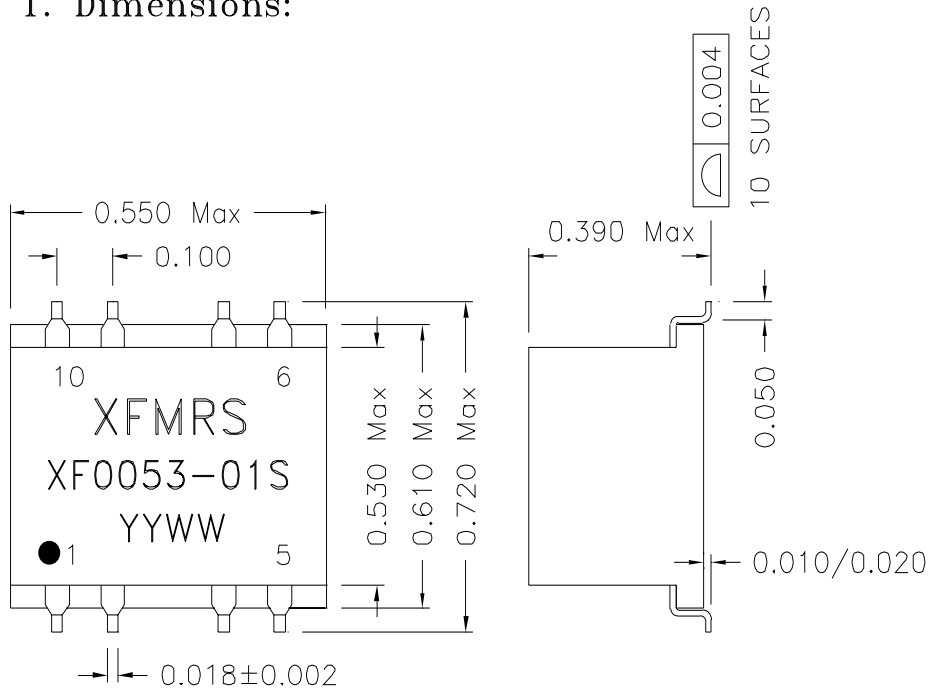
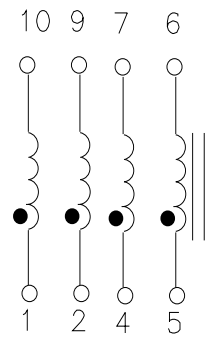


1. Dimensions:



SUGGESTED FOOTPRINT

2. Schematic:



3. Electrical Specifications: @25°C

- Isolation Voltage: 500Vrms
- OCL: P1-10 4.70mH ±30% @10KHz 100mV
- LL: P1-10 1.0uH Max @100KHz 100mV others shorted
- CW/W: 60pF Max @100KHz 100mV
- DCR: 1.20 Ohms Max each winding

DOC. REV A/1

XFMRs Inc	Title: ISDN S-INTERFACE TRANSFORMERS	
	UNLESS OTHERWISE SPECIFIED TOLERANCES: .xxx ±0.010	
	Dimensions in Inch	
	SCALE 2:1 SHT 1 OF 1	
P/N: XF0053-01S	REV. A	
DWN.	廖玉坤	May-11-00
CHK.	李清儿	May-11-00
APP.	Joe Huff	May-11-00