



# TAI-SAW TECHNOLOGY CO., LTD.

No. 3, Industrial 2nd Rd., Ping-Chen Industrial District,  
Tao-Yuan, 324, Taiwan, R.O.C.

TEL: 886-3-4690038 FAX: 886-3-4697532

E-mail: [tstsales@mail.taisaw.com](mailto:tstsales@mail.taisaw.com) Web: [www.taisaw.com](http://www.taisaw.com)

## Approval Sheet for Product Specification

Issued Date:

Product Name: 435.5MHz IF SAW Filter (BW=27 MHz)

TST Parts No.: TB0490A

Customer Parts No.: \_\_\_\_\_

Company: _____
Division: _____
Approved by : _____
Date: _____

Checked by: \_\_\_\_\_ Andy Yu

Approval by: \_\_\_\_\_ Francis Chen

Date: \_\_\_\_\_ 04/19/2007



# TAI-SAW TECHNOLOGY CO., LTD.

No.3, Industrial 2nd Rd., Ping-Chen Industrial District, Taoyuan, Taiwan, R.O.C.

TEL: 886-3-4690038 FAX: 886-3-4697532

E-mail: [tstsales3@mail.taisaw.com](mailto:tstsales3@mail.taisaw.com) Web: [www.taisaw.com](http://www.taisaw.com)

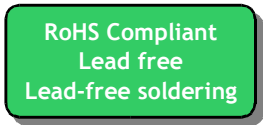
SAW Filter 435.5MHz (SMD 5.0×5.0 mm)

MODEL NO.: TB0490A

Rev. NO. 1.0

## A. MAXIMUM RATING:

1. Operating Temperature: -20 °C ~ 70 °C
2. Storage Temperature: -40 °C ~ +85 °C

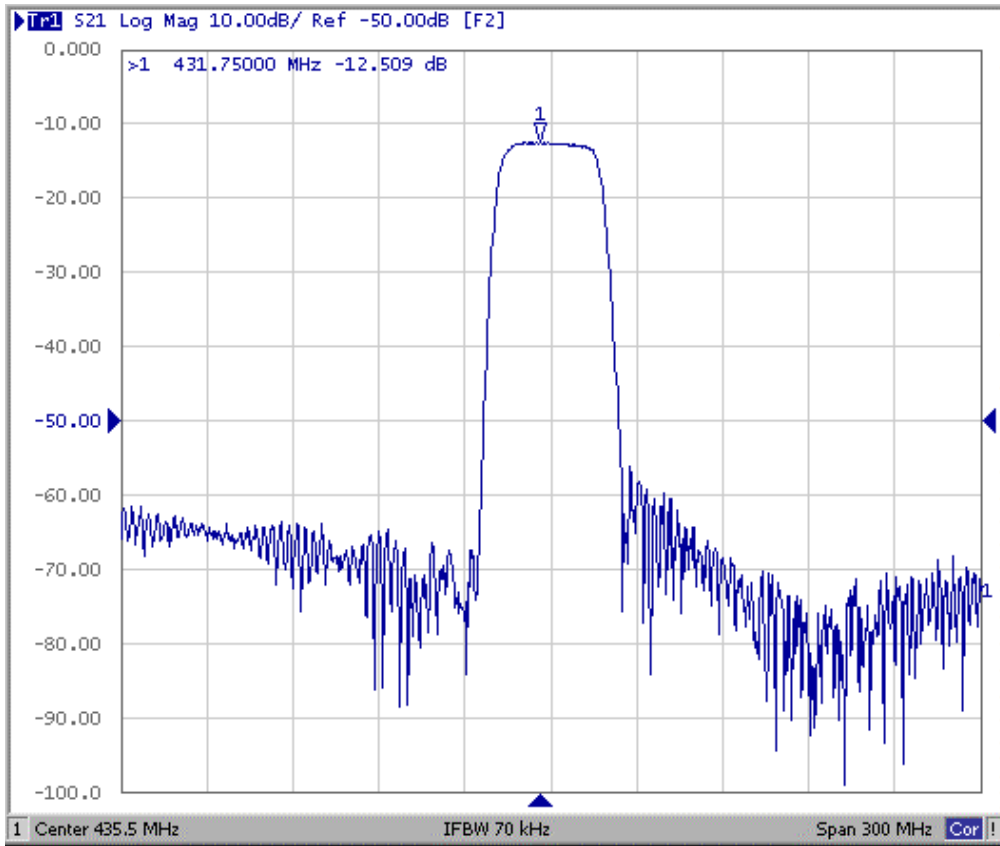


## B. Characteristics :

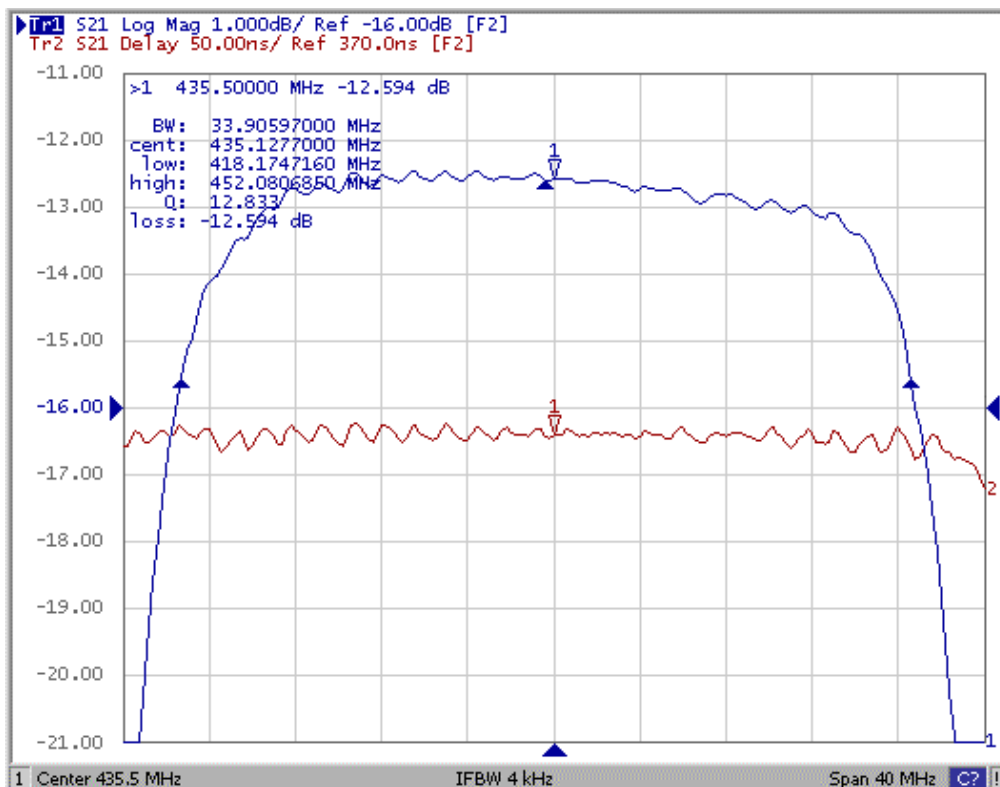
Characteristics	Value			Note
	Min.	Typ.	Max.	
Center frequency $F_c$ MHz	-	435.5	-	-
Minimum Insertion loss I.L. dB	-	12.4	13.5	-
3dB BW MHz	27	33.9	-	-
Amplitude Ripple ( $F_c \pm 13.5\text{MH}$ ) dB	-	0.9	1.2	-
<b>Relative Rejection</b> (Reference to Minimum Insertion loss)				
$F_c + 35.5\text{MH}$ dB	35	52	-	-
$F_c - 35.5\text{MH}$ dB	35	54	-	-
$F_c + 57.5\text{MH}$ dB	45	59	-	-
$F_c - 57.5\text{MH}$ dB	45	53	-	-
Temp Coefficient ppm/K	-	-94	-	-
<b>Matching:</b>				
1.The input of the filter will be matched to <u>50 ohm</u>				
2.The output of the filter will be matched to <u>50 ohm</u>				

### C.FREQUENCY CHRACTERISTICS:

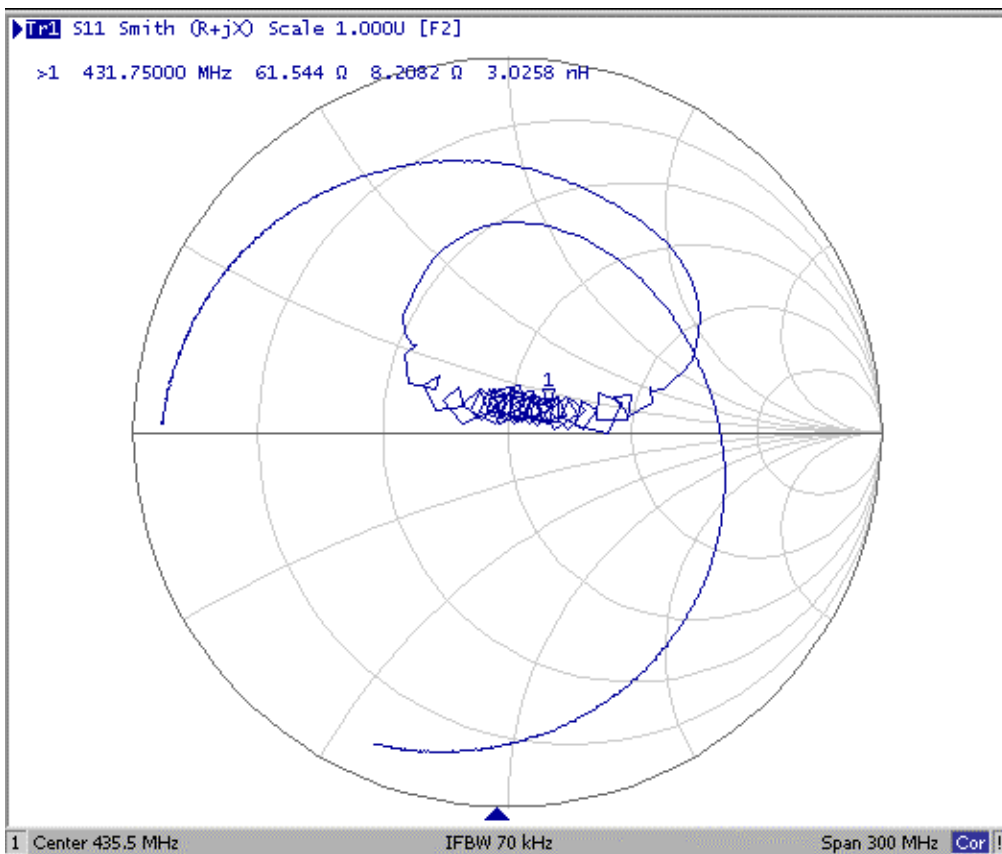
(1) S21 Response:(span 300MHz)



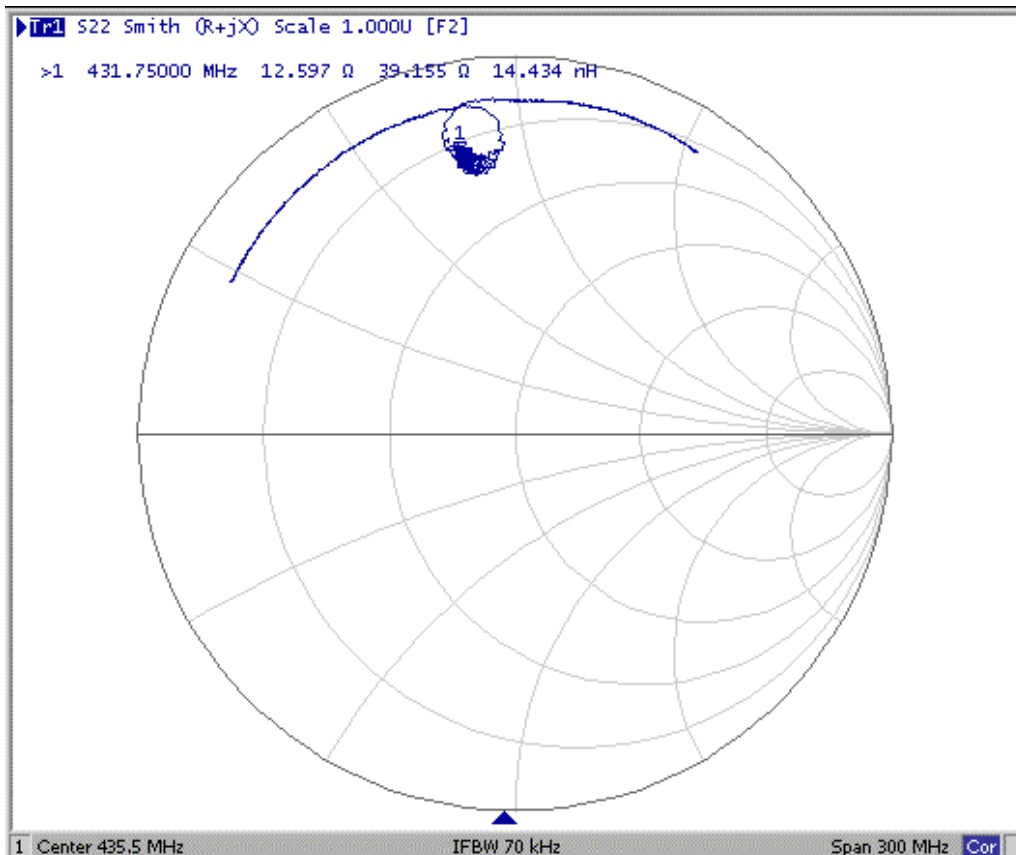
(2) Passband of Response: (span: 40MHz)



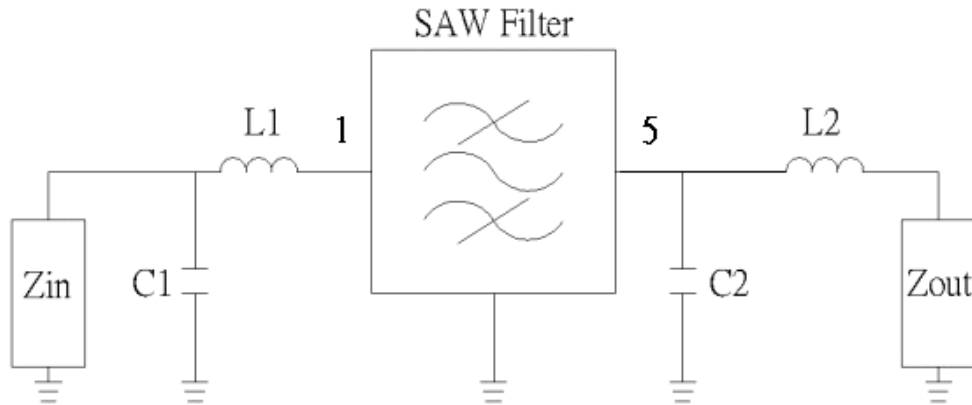
(3) S11 Smith Chart: (span 300MHz)



(4) S22 Smith Chart: (span 300MHz)



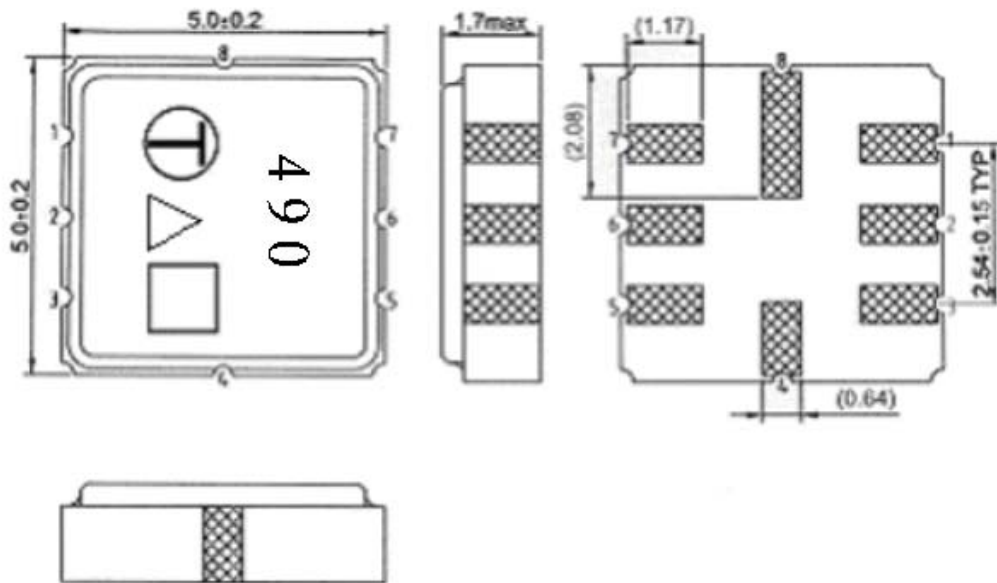
D. TEST CIRCUIT:



$Z_{in}$  and  $Z_{out}$  are  $50\Omega$

$L1=6.8nH$ ,  $C1=10pF$ ,  $L2=8.2nH$ ,  $C2=12pF$

E. OUTLINE DRAWING:



Pin 1: RF input

Pin 5: RF output

Pin 4,8: Case Ground

Pin 2,3,6,7: Ground

□ : Week Code (Follow the table from planner each year)

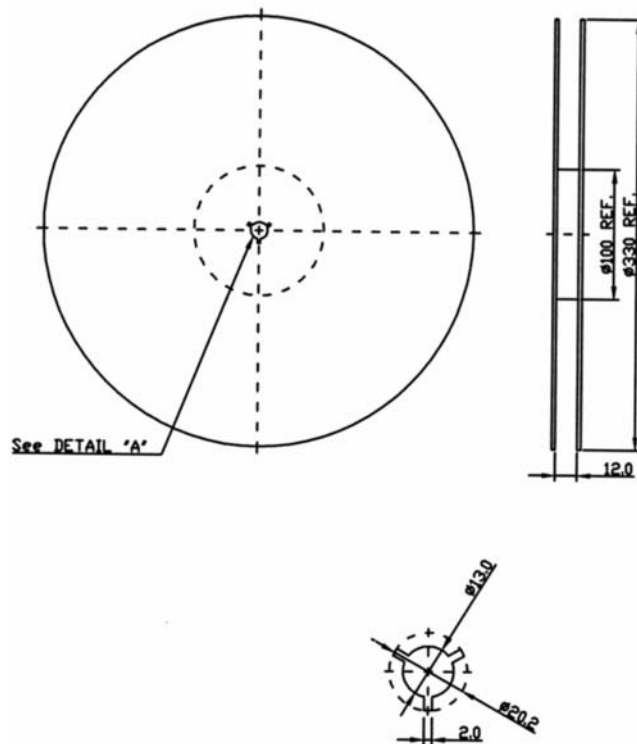
Unit : mm

△ : Product / Year Code

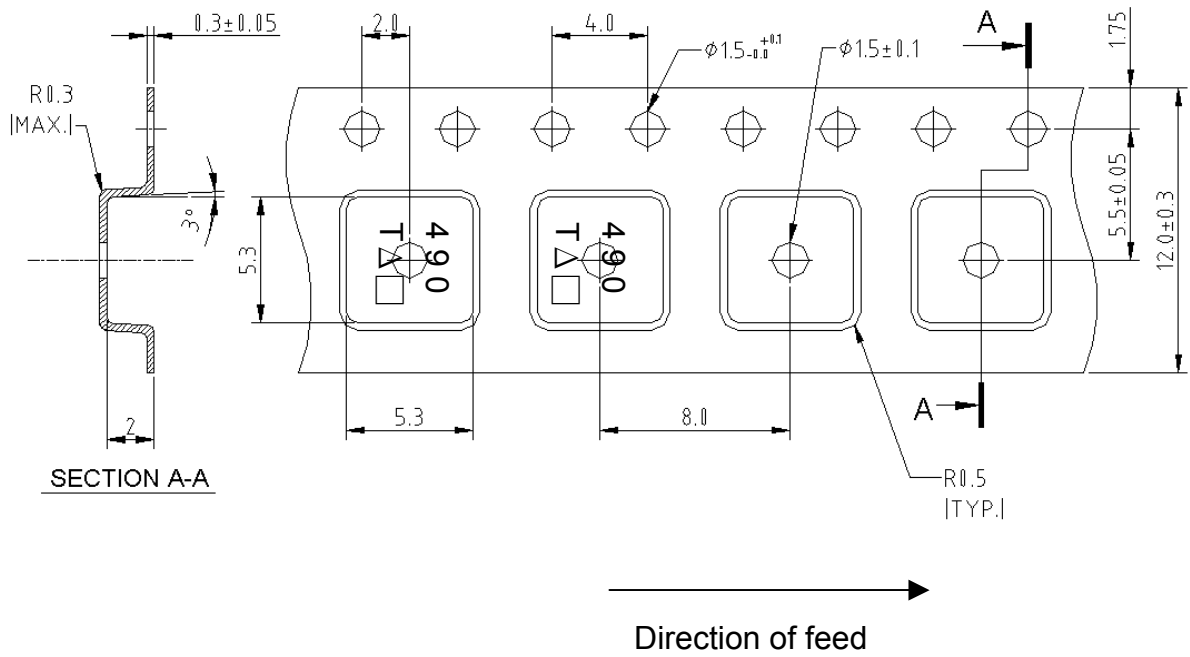
Year	2005 2009	2006 2010	2007 2011	2008 2012
Product Code	B	b	<u>B</u>	<u>b</u>

**F.PACKING:**

**1.REEL DIMENSION**



**2.TAPE DIMENSION**



G. Recommended Reflow Profile:

