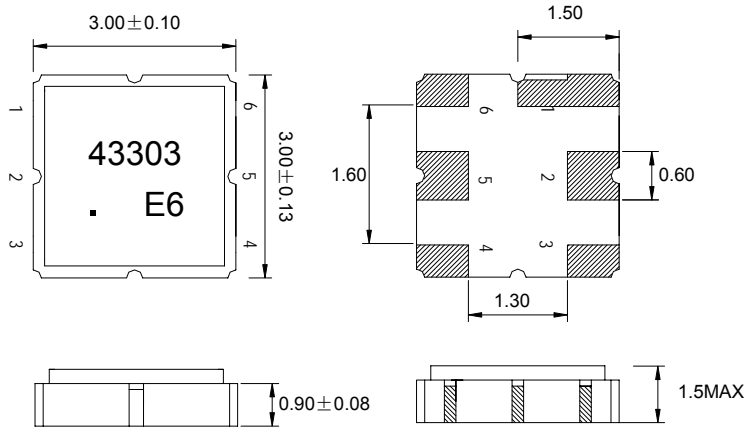


1. Package Dimension

(S22)

Unit: mm



Pin No.	Function
1	Input Ground
2	Input
5	Output
6	Output Ground
4,8	Case-Ground
3,7	to be Grounded

2. Marking

43303

Part Number

(1) Ink Marking or Laser Marking

.E6

(2) DF: Manufacture's logo

(3) ∴ Pin 1 Identifier


(4) E6: Date code

E
Month code

6
Last figure of year

Month	1	2	3	4	5	6	7	8	9	10	11	12
Month code	A	B	C	D	E	F	G	H	I	J	K	L

e.g.: "E6" means May of 2006

	SIPAT Co., Ltd. (CETC No. 26 Research Institute) Nanping Huayuan Road No. 14 Chongqing, China, 400060	Part Number	SP43303	
		Rev. Date	2006-7-19	
		Rev.	1.0	Page

3. Performance

3.1 Application

Front-end SAW Filter for Wireless Remote Controller.


Center frequency: 433.92 MHz

3.2 Maximum Rating

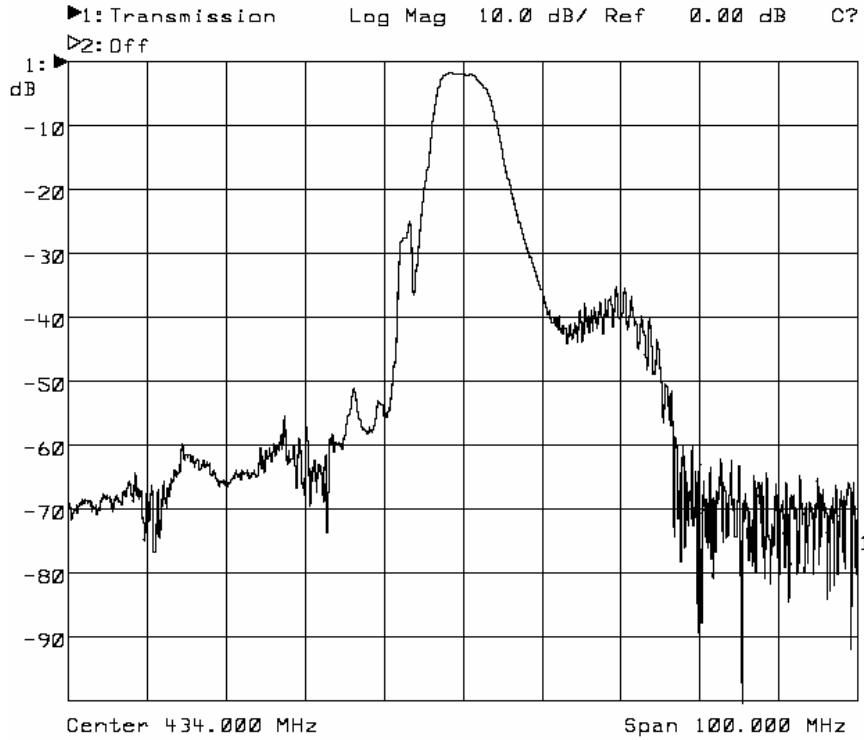
Operation Temperature Range	-40°C to +80°C
Storage Temperature Range	-45°C to +85°C
DC Voltage	0V
Source Power	0 dBm

3.3 Electronic Characteristics

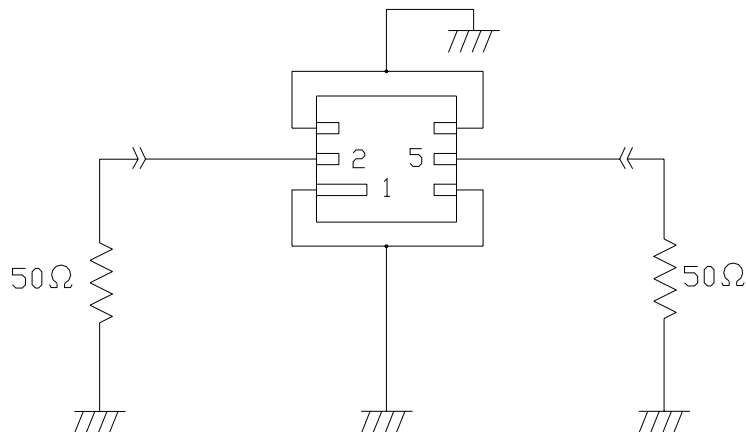
Item	Unit	Minimum	Typical	Maximum
Center Frequency (fo)	MHz	—	433.92	—
Maximum Insertion Attenuation 433.00 ~ 434.71 MHz	dB	—	2.0	2.7
Amplitude Ripple 433.00 ~ 434.71 MHz	dB	—	0.5	1.3
Relative Attenuation 10.00 ~ 380.00 MHz	dB	55.0	60.0	—
380.00 ~ 413.50 MHz	dB	49.0	53.0	—
413.50 ~ 424.00 MHz	dB	40.0	48.0	—
443.75 ~ 454.00 MHz	dB	25.0	33.0	—
454.00 ~ 470.00 MHz	dB	35.0	44.0	—
470.00 ~ 650.00 MHz	dB	48.0	55.0	—
650.00 ~ 1000.00 MHz	dB	40.0	50.0	—
Temperature Coefficient of	Ppm/k	—	-30	—


	SIPAT Co., Ltd. (CETC No. 26 Research Institute) Nanping Huayuan Road No. 14 Chongqing, China, 400060	Part Number	SP43303	
		Rev. Date	2006-7-19	
		Rev.	1.0	Page

3.4 Frequency Characteristics




3.5 Test Circuit



	SIPAT Co., Ltd. (CETC No. 26 Research Institute) Nanping Huayuan Road No. 14 Chongqing, China, 400060	Part Number	SP43303	
		Rev. Date	2006-7-19	
		Rev.	1.0	Page

4. Reliability

- 4.1 Mechanical Shock: The components shall remain within the electrical specifications after three one-half sine shock pulses(3000g's for 0.3 ms) in each direction(for six total) along each of the three mutually perpendicular axes for a total of 18 shocks.
- 4.2 Vibration Fatigue: The components shall remain within the electrical specifications after loaded vibration at 20~55Hz, amplitude 1.5mm, X,Y,Z, direction, for 2 hours.
- 4.3 Leak Test
- 4.3.1 Gross Leak Test: Submerge samples into at +85°C water for at least 1 minute. Carefully observe the samples. No bubbles should be seen.
- 4.3.2 Fine Leak Test: Expose samples for testing to 60 PSIG Helium gas for 2 hours. Then transfer the same samples to another chamber and draw a vacuum. Measure the leak rate. Failure is defined if the leak rate exceeds 5×10^{-8} atm cc/sec Helium.
- 4.4 High Temperature Storage: The components shall remain within the electrical specifications after being kept at the $85^{\circ}\text{C} \pm 2^{\circ}\text{C}$ for 960 hours, then kept at room temperature for 2 hours.
- 4.5 Low Temperature Storage: The components shall remain within the electrical specifications after being kept at the $-40^{\circ}\text{C} \pm 2^{\circ}\text{C}$ for 960 hours, then kept at room temperature for 2 hours.
- 4.6 Temperature Cycle: The components shall remain within the electrical specification after 32 cycles of high and low temperature testing (one cycle: 80°C for 30 minutes \rightarrow 25°C for 20 seconds \rightarrow -40°C for 30 minutes) than kept at room temperature for 2 hours.
- 4.7 Humidity Test: The components shall remain within the electrical specifications after being kept at the condition of ambient temperature 70°C , and 90~95% RH for 240 hours, then kept at room temperature and normal humidity for 4 hours.
- 4.8 Solder-heat Resistance: The components shall remain within the electrical specifications after dipped in the solder at $260^{\circ}\text{C} \pm 5^{\circ}\text{C}$ for 10 to 11 seconds, then kept at room temperature for 10 minutes.
- 4.9 Solderability: Solderability of terminal shall be kept at more than 80% after dipped in the solder flux at $230^{\circ}\text{C} \pm 5^{\circ}\text{C}$ for 5 ± 1 seconds.
- 4.10 Storage: The components shall meet the electrical and mechanical specifications after 5 years storage, if stored within the temperature range of $-40^{\circ}\text{C} \sim +85^{\circ}\text{C}$ and in the humidity of 20 to 60% r.h.

	SIPAT Co., Ltd. (CETC No. 26 Research Institute) Nanping Huayuan Road No. 14 Chongqing, China, 400060	Part Number	SP43303	
		Rev. Date	2006-7-19	
		Rev.	1.0	Page

5. Remarks

5.1 Static voltage

Static voltage between signal load & ground may cause deterioration & destruction of the component. Please avoid static voltage.

5.2 Ultrasonic cleaning

Ultrasonic vibration may cause deterioration & destruction of the component. Please avoid ultrasonic cleaning.

5.3 Soldering

Only leads of component may be soldered. Please avoid soldering another part of component.

6. Packing

6.1 Dimensions

(1) Carrier Tape: Figure 1

(2) Reel: Figure 2

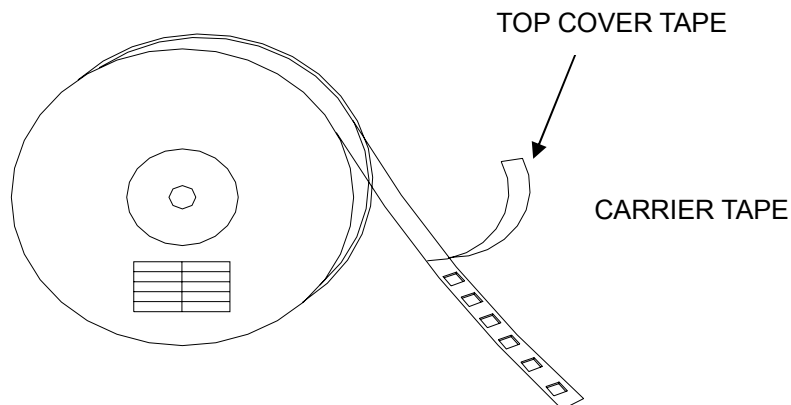
(3) The product shall be packed properly not to be damaged during transportation and storage.

6.2 Reeling Quantity

1,000pcs/reel

6.3 Taping Structure

(1) The tape shall be wound around the reel in the direction shown below.



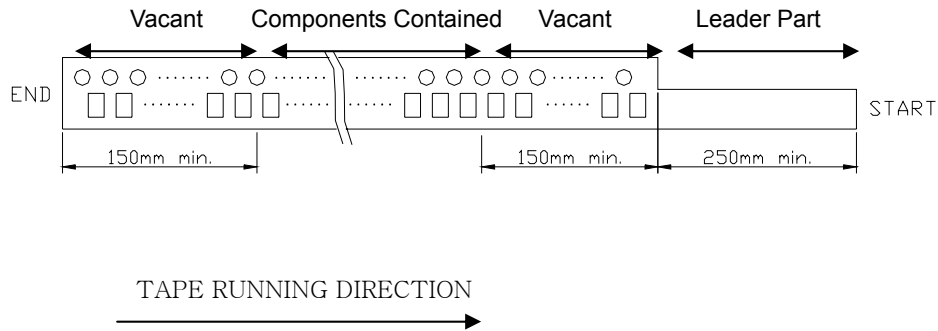
SIPAT Co., Ltd.
(CETC No. 26 Research Institute)
Nanping Huayuan Road No. 14
Chongqing, China, 400060

Part Number	SP43303	
Rev. Date	2006-7-19	
Rev.	1.0	Page 5/8

(2)Lable

Device Name	
Type	
Quantity	
Lot No.	

(3)Leader part and vacant position specifications.

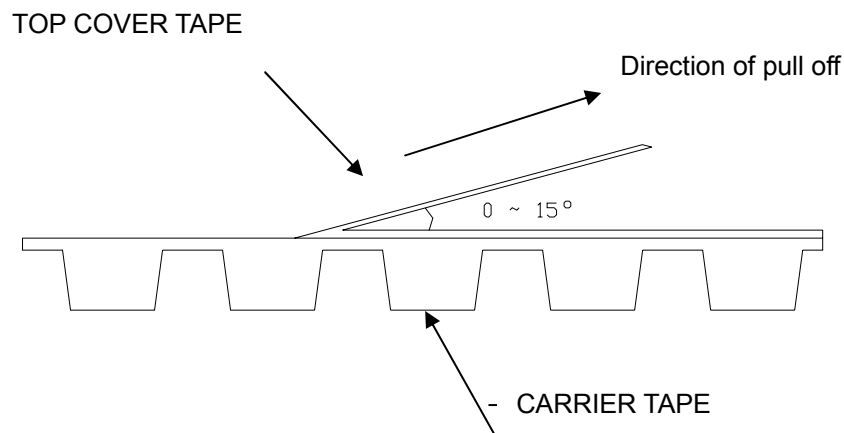


7. Tape Specifications

7.1 Tensile Strength of Carrier Tape: 4.4N/mm width

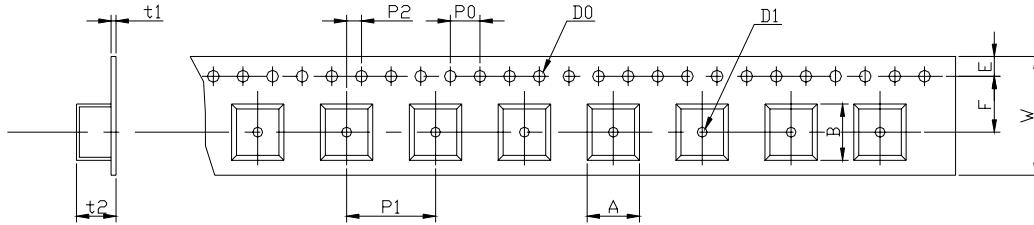
7.2 Top Cover Tape Adhesion (See the below figure)

- (1) pull off angle: 0~15°
- (2) speed: 300mm/min.
- (3) force: 20~70g



	SIPAT Co., Ltd. (CETC No. 26 Research Institute) Nanping Huayuan Road No. 14 Chongqing, China, 400060	Part Number	SP43303	
		Rev. Date	2006-7-19	
		Rev.	1.0	Page

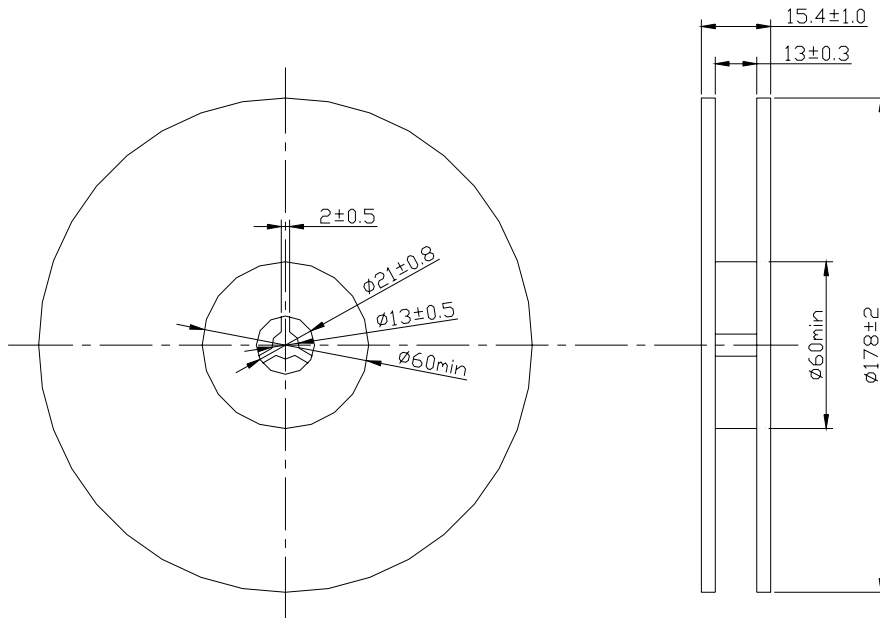
[Figure 1] Carrier Tape Dimensions



W	F	E	P0	P1	P2	D0	D1	t1	t2	A	B
12.0	5.5	1.75	4.0	4.0	2.0	Φ1.5	Φ1.5	0.31	1.95	3.3	3.3
±0.3	±0.1	±0.1	±0.2	±0.1	±0.2	±0.1	±0.25	max.	max.	max.	max.

[Figure 2] Reel Dimensions

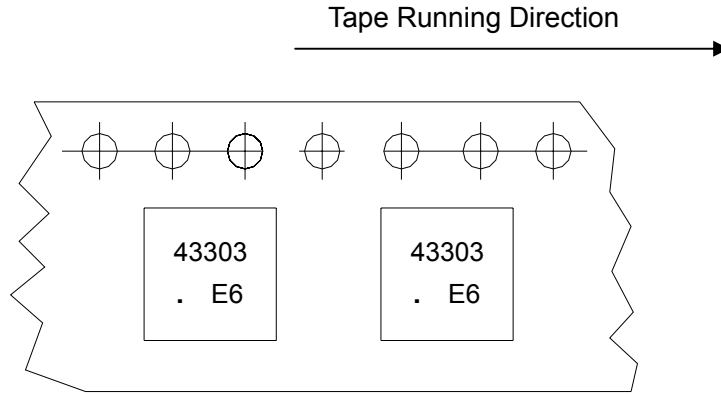
[Unit: mm]




SIPAT Co., Ltd.
(CETC No. 26 Research Institute)
Nanping Huayuan Road No. 14
Chongqing, China, 400060

Part Number	SP43303	
Rev. Date	2006-7-19	
Rev.	1.0	Page 7/8

[Figure 3] Part Direction



	SIPAT Co., Ltd. (CETC No. 26 Research Institute) Nanping Huayuan Road No. 14 Chongqing, China, 400060	Part Number	SP43303	
		Rev. Date	2006-7-19	
		Rev.	1.0	Page 8/8