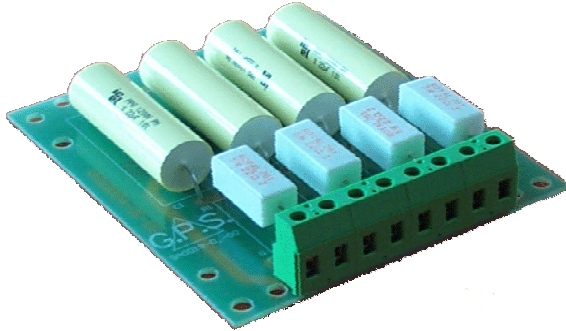


SA0019-XX



R-C SNUBBER BOARD

LINE VOLTAGE UP TO 500V
DEVICE RMS CURRENT UP TO 400A

- High compactness
- Possibility of multiple configurations
- Quick setup and replacement

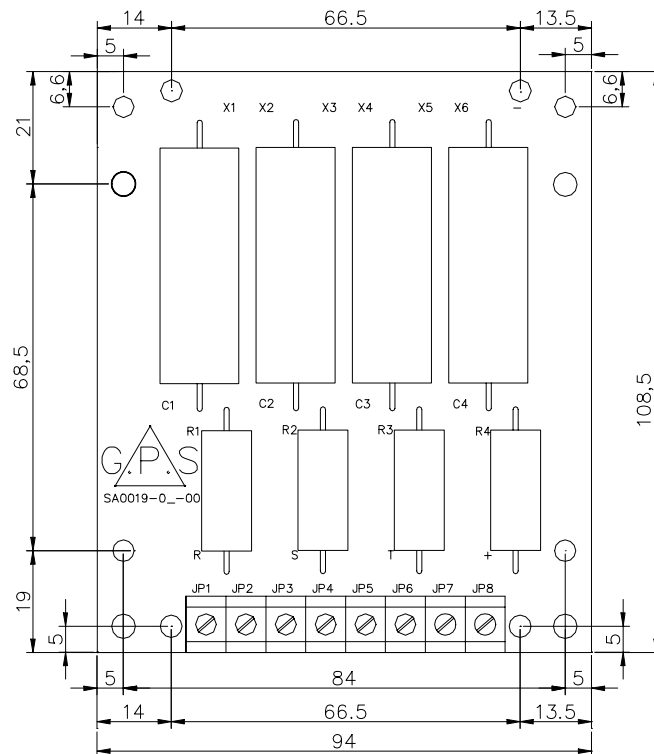
The SA0019-XX can be used as snubber board for single phase (half controlled and fully controlled) or three phase (half controlled) bridges

BOARD CHARACTERISTICS

Characteristic		Conditions	Value
V (RMS)	Maximum voltage		500 V
R	Snubber resistor		22 ohm 5 W
C	Snubber capacitor		0.22 μ F 1200 V
	Pollution degree		II

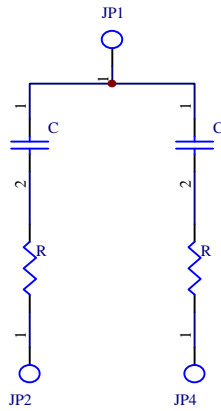
MECHANICAL AND THERMAL CHARACTERISTICS

	Width		94 mm
	Depth		108 mm
	Height		21 mm
Ta max	Max amb. op. Temp.		40 °C
Tstg	Storage temperature		-40/60 °C



○: Mounting holes (for M4 screw)

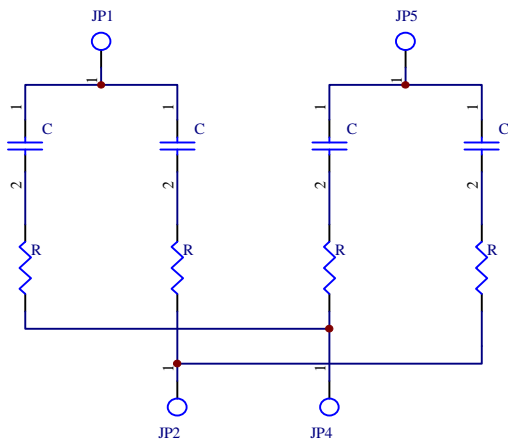
SA0019-01 SINGLE PHASE HALF CONTROLLED BRIDGES SNUBBER BOARD



JP1: Positive or negative DC output

JP2,JP4: Line input

SA0019-02 SINGLE PHASE FULLY CONTROLLED BRIDGES SNUBBER BOARD

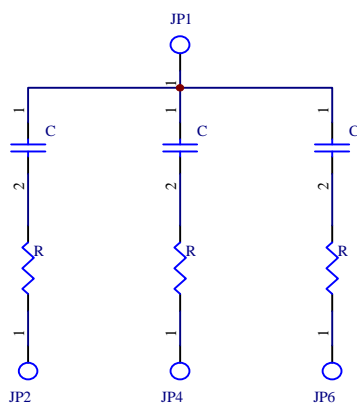


JP1: Positive DC output

JP2: Negative DC output

JP2,JP4: Line input

SA0019-03 THREE PHASE HALF CONTROLLED BRIDGES SNUBBER BOARD



JP1: Positive or negative DC output

JP2,JP4,JP6: Line input

In the interest of product improvement Green Power Solutions reserves the right to change any specification given in this data sheet without notice.