

32-bit Proprietary Microcontroller

CMOS

FR60Lite MB91210 Series

MB91F211/213/F213/V210

■ DESCRIPTIONS

MB91210 series is Fujitsu's general-purpose 32-bit RISC microcontroller, which is designed for embedded control applications that require high-speed real-time processing of consumer appliances. This microcontroller uses FR60Lite as its CPU, compatible with other products in the FR* family.

This series incorporates a built-in LIN-UART and CAN controller.

* : FR, the abbreviation of FUJITSU RISC controller, is a line of products of FUJITSU Limited.

■ FEATURES

- FR CPU
 - 32-bit RISC, load/store architecture, 5-stage pipeline
 - Maximum operating frequency : 40 MHz (Source oscillation is 4 MHz - PLL clock multiplier system)
 - 16-bit fixed length instructions (basic instructions), one instruction per cycle
 - Memory-memory transfer instructions, bit processing instructions, barrel shift instructions
 - Instructions adapted for embedded applications
 - Function entry/exit instructions, multiple-register load/store instructions
 - Instructions supporting high-level language
 - Register interlock function
 - Easier assembler coding enabled

(Continued)

Be sure to refer to the "Check Sheet" for the latest cautions on development.

"Check Sheet" is seen at the following support page

URL : <http://www.fujitsu.com/global/services/microelectronics/product/micom/support/index.html>

"Check Sheet" lists the minimal requirement items to be checked to prevent problems beforehand in system development.

MB91210 Series

(Continued)

- Built-in multiplier supported at the instruction level
 - Signed 32-bit multiplication: 5 cycles
 - Signed 16-bit multiplication: 3 cycles
- Interrupt (PC/PS save) : 6 cycles, 16 priority levels
- Harvard architecture allowing program access and data access to be executed simultaneously.
- Instruction compatible with the FR family
- Internal ROM size & ROM type
 - MASK ROM : 544 Kbytes (MB91213)
 - Flash Memory : 288 Kbytes (MB91F211)
: 544 Kbytes (MB91F213)
- Internal RAM size : 24 Kbytes (MB91213/F213)
: 16 Kbytes (MB91F211)
- DMA Controller
 - Capable of simultaneous operation of up to 5 channels
 - Two transfer sources (internal peripheral/software)
- Bit Search Module (for REALOS)
 - Search for the position of the first bit that changes from “1” to “0” in one word, from the MSB
- LIN-UART (7 channels)
 - Asynchronous clock communication (start-stop synchronization), synchronous clock communication
 - Synch-Break detection
 - Dedicated built-in baud-rate generator for each channel
 - SPI compliant (Mode 2 : clock synchronous communication mode)
- CAN Controller (3 channels)
 - Maximum transfer rate : 1 Mbps
 - 32 message buffer
- Timers
 - 16-bit reload timer (3 channels)
Selectable internal clock from 2/8/32 divisions
 - 16-bit free-run timer (4 channels)
 - Output compare (8 channels)
 - Input capture (8 channels)
 - 8/16-bit PPG (16 channels/8 channels)
Selectable clock source from 1/2/16/64 division of peripheral clock
- Interrupt Controller
 - Interrupts from internal peripherals
 - Priority level can be set by software (16 levels)
- External Interrupt (16 channels)
 - Selectable input from several pins
 - Can be used as CAN WAKEUP
Noise filter is inserted to CAN WAKEUP (Typ = 4 μ s)
- A/D Converter (32 channels)
 - 10-bit resolution
 - Sequential comparison
Conversion time : 3 μ s
 - Conversion modes (single conversion mode and scan conversion mode)
 - Activation trigger (software/external trigger/peripheral interrupt)

MB91210 Series

- Other Interval Timer/Counter
 - 16-bit timebase timer/watchdog timer
- Other Features
 - Has a built-in oscillation circuit as a clock source, and also can select PLL multiplier
 - INITX is provided as a reset pin
 - Additionally, a watchdog timer reset and software resets are provided
 - Stop mode, sleep mode and real time clock mode supported as low-power consumption modes. Low-power operation using 32 kHz CPU operation enabled
 - Gear function
Clock can be generated from various combinations of PLL multiplier setting (1/2/4/8/10) and division setting (1 to 16) for each clock
 - Built-in timebase timer
 - Package : LQFP-100, LQFP-144
 - CMOS technology (0.18 μm)
 - Power supply voltage : 3.5 V to 5.5 V
1.8 V is supplied to internal circuit from step-down circuit

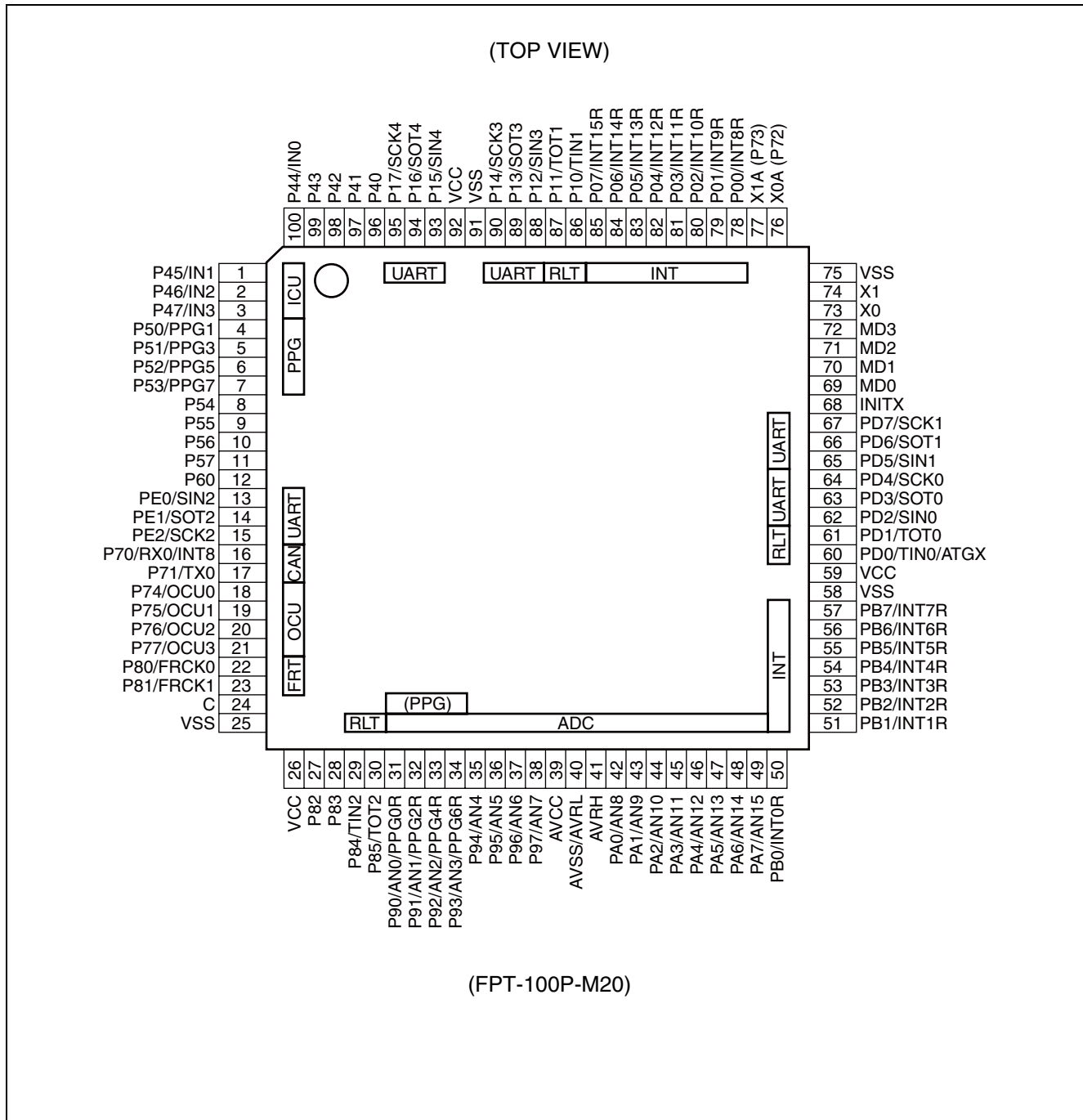
- Comparison of Functions

	MB91V210	MB91F211	MB91F213	MB91213
	Evaluation product	Flash memory product	Flash memory product	MASK ROM product
Package	BGA-420	LQFP-100	LQFP-144	
ROM/Flash size	External SRAM	288 Kbytes	544 Kbytes	
RAM size	4 Kbytes + 32 Kbytes	4 Kbytes + 12 Kbytes	4 Kbytes + 20 Kbytes	
External interrupt	16 channels	16 channels	16 channels	
DMA Controller	5 channels	5 channels	5 channels	
External sub-clock	Correspondence	Correspondence	Correspondence	
Suspected sub-clock	Non-correspondence	Correspondence	Non-correspondence	
RTC	Yes	Yes	Yes	
CAN Controller	3 channels (128 msg/ch)	1 channel (32 msg/ch)	3 channels (32 msg/ch)	
LIN-UART	7 channels	4 channels (LIN corresponding) 1 channel (LIN non-corresponding)	7 channels	
Reload Timer	3 channels	3 channels	3 channels	
Free-run timer	4 channels	2 channels	4 channels	
ICU	8 channels	4 channels	8 channels	
OCU	8 channels	4 channels	8 channels	
8/16bits PPG	8bits × 16 channels (16bits × 8 channels)	8bits × 8 channels (16bits × 4 channels)	8bits × 16 channels (16bits × 8 channels)	
A/D Converter	32 channels	16 channels	32 channels	

MB91210 Series

■ PIN ASSIGNMENT

•MB91F211



MB91210 Series

■ PIN DESCRIPTIONS

• Pin Functions

Pin no.		Pin name	Function name	I/O circuit type*3	Function
LQFP*1	LQFP*2				
—	106	X0	X0	OA	Oscillator input pin
—	107	X1	X1	OB	Oscillator output pin
68	101	INITX	INITX	D	System reset input pin
72	105	MD3	MD3	E	Operation mode input pin
71 to 69	104 to 102	MD2 to MD0	MD2 to MD0	C	Operation mode input pins
76	109	X0A	X0A	WA	Sub-oscillation input pin
77	110	X1A	X1A	WB	Sub-oscillation output pin
78	113	P00	P00	A	General purpose I/O port
			SIN5		UART5 data input
			INT8R		External interrupt 8 input (select with P70)
79	114	P01	P01	A	General purpose I/O port
			SOT5		UART5 data output
			INT9R		External interrupt 9 input (select with P71)
80	115	P02	P02	A	General purpose I/O port
			SCK5		UART5 clock I/O
			INT10R		External interrupt 10 input (select with P32)
81	116	P03	P03	A	General purpose I/O port
			SIN6		UART6 data input
			INT11R		External interrupt 11 input (select with P33)
82	117	P04	P04	A	General purpose I/O port
			SOT6		UART6 data output
			INT12R		External interrupt 12 input (select with P34)
83	118	P05	P05	A	General purpose I/O port
			SCK6		UART6 clock I/O
			INT13R		External interrupt 13 input (select with P35)
84	119	P06	P06	A	General purpose I/O port
			OUT4		OCU4 output
			INT14R		External interrupt 14 input (select with P36)
85	120	P07	P07	A	General purpose I/O port
			OUT5		OCU5 output
			INT15R		External interrupt 15 input (select with P37)
86	121	P10	P10	A	General purpose I/O port
			TIN1		External event input of reload timer 1

(Continued)

MB91210 Series

Pin no.		Pin name	Function name	I/O circuit type*3	Function
LQFP*1	LQFP*2				
87	122	P11	P11	A	General purpose I/O port
			TOT1		Reload timer 1 output
88	123	P12	P12	A	General purpose I/O port
			SIN3		UART3 data input
89	124	P13	P13	A	General purpose I/O port
			SOT3		UART3 data output
90	125	P14	P14	A	General purpose I/O port
			SCK3		UART3 clock I/O
93	126	P15	P15	A	General purpose I/O port
			SIN4		UART4 data input
94	127	P16	P16	A	General purpose I/O port
			SOT4		UART4 data output
95	128	P17	P17	A	General purpose I/O port
			SCK4		UART4 clock I/O
—	129	P20	P20	A	General purpose I/O port
			PPG0		PPG0 output
—	130	P21	P21	A	General purpose I/O port
			PPG2		PPG2 output
—	131	P22	P22	A	General purpose I/O port
			PPG4		PPG4 output
—	132	P23	P23	A	General purpose I/O port
			PPG6		PPG6 output
—	133	P24	P24	A	General purpose I/O port
			PPG8		PPG8 output
—	134	P25	P25	A	General purpose I/O port
			PPGA		PPGA output
—	135	P26	P26	A	General purpose I/O port
			PPGC		PPGC output
—	136	P27	P27	A	General purpose I/O port
			PPGE		PPGE output
—	137	P30	P30	A	General purpose I/O port
			RX2		CAN2 input
			INT10C		External interrupt 10 input (select with P32)
—	138	P31	P31	A	General purpose I/O port
			TX2		CAN2 output

(Continued)

MB91210 Series

Pin no.		Pin name	Function name	I/O circuit type*3	Function
LQFP*1	LQFP*2				
—	139	P32	P32	A	General purpose I/O port
			INT10		External interrupt 10 input (select with P30)
—	140	P33	P33	A	General purpose I/O port
			INT11		External interrupt 11 input
—	141	P34	P34	A	General purpose I/O port
			INT12		External interrupt 12 input
—	142	P35	P35	A	General purpose I/O port
			INT13		External interrupt 13 input
—	143	P36	P36	A	General purpose I/O port
			INT14		External interrupt 14 input
—	2	P37	P37	A	General purpose I/O port
			INT15		External interrupt 15 input
96	3	P40	P40	A	General purpose I/O port
			PPG9		PPG9 output
97	4	P41	P41	A	General purpose I/O port
			PPGB		PPGB output
98	5	P42	P42	A	General purpose I/O port
			PPGD		PPGD output
99	6	P43	P43	A	General purpose I/O port
			PPGF		PPGF output
100	7	P44	P44	A	General purpose I/O port
			IN0		ICU0 input
1	8	P45	P45	A	General purpose I/O port
			IN1		ICU1 input
2	9	P46	P46	A	General purpose I/O port
			IN2		ICU2 input
3	10	P47	P47	A	General purpose I/O port
			IN3		ICU3 input
4	11	P50	P50	A	General purpose I/O port
			PPG1		PPG1 output
5	12	P51	P51	A	General purpose I/O port
			PPG3		PPG3 output
6	13	P52	P52	A	General purpose I/O port
			PPG5		PPG5 output

(Continued)

MB91210 Series

Pin no.		Pin name	Function name	I/O circuit type*3	Function
LQFP*1	LQFP*2				
7	14	P53	P53	A	General purpose I/O port
			PPG7		PPG7 output
8	15	P54	P54	A	General purpose I/O port
			IN4		ICU4 input
9	16	P55	P55	A	General purpose I/O port
			IN5		ICU5 input
10	17	P56	P56	A	General purpose I/O port
			IN6		ICU6 input
11	18	P57	P57	A	General purpose I/O port
			IN7		ICU7 input
12	19	P60	P60	A	General purpose I/O port
			OUT6		OCU6 output
—	20	P61	P61	A	General purpose I/O port
			OUT7		OCU7 output
—	21	P62	P62	A	General purpose I/O port
—	22	P63	P63	A	General purpose I/O port
—	25	P64	P64	A	General purpose I/O port
16	26	P70	P70	A	General purpose I/O port
			RX0		CAN0 input
			INT8		External interrupt 8 input (select with P00)
17	27	P71	P71	A	General purpose I/O port
			TX0		CAN0 output
(76) *4	28	P72	P72	A	General purpose I/O port
			RX1		CAN1 input
			INT9		External interrupt 9 input (select with P01)
(77) *4	29	P73	P73	A	General purpose I/O port
			TX1		CAN1 output
18	30	P74	P74	A	General purpose I/O port
			OCU0		OCU0 output
19	31	P75	P75	A	General purpose I/O port
			OCU1		OCU1 output
20	32	P76	P76	A	General purpose I/O port
			OCU2		OCU2 output
21	33	P77	P77	A	General purpose I/O port
			OCU3		OCU3 output

(Continued)

MB91210 Series

Pin no.		Pin name	Function name	I/O circuit type*3	Function
LQFP*1	LQFP*2				
22	34	P80	P80	A	General purpose I/O port
			FRCK0		External clock input of free-run timer 0
23	38	P81	P81	A	General purpose I/O port
			FRCK1		External clock input of free-run timer 1
27	39	P82	P82	A	General purpose I/O port
			FRCK2		External clock input of free-run timer 2
28	40	P83	P83	A	General purpose I/O port
			FRCK3		External clock input of free-run timer 3
29	41	P84	P84	A	General purpose I/O port
			TIN2		External event input of reload timer 2
30	42	P85	P85	A	General purpose I/O port
			TOT2		Reload timer 2 output
31	43	P90	P90	B	General purpose I/O port
			AN0		A/D converter analog input
			PPG0R		PPG0 output (select with P20)
32	44	P91	P91	B	General purpose I/O port
			AN1		A/D converter analog input
			PPG2R		PPG2 output (select with P21)
33	45	P92	P92	B	General purpose I/O port
			AN2		A/D converter analog input
			PPG4R		PPG4 output (select with P22)
34	46	P93	P93	B	General purpose I/O port
			AN3		A/D converter analog input
			PPG6R		PPG6 output (select with P23)
35	47	P94	P94	B	General purpose I/O port
			AN4		A/D converter analog input
			PPG8R		PPG8 output (select with P24)
36	48	P95	P95	B	General purpose I/O port
			AN5		A/D converter analog input
			PPGAR		PPGA output (select with P25)
37	49	P96	P96	B	General purpose I/O port
			AN6		A/D converter analog input
			PPGCR		PPGC output (select with P26)

(Continued)

MB91210 Series

Pin no.		Pin name	Function name	I/O circuit type*3	Function
LQFP*1	LQFP*2				
38	50	P97	P97	B	General purpose I/O port
			AN7		A/D converter analog input
			PPGER		PPGE output (select with P27)
42	51	PA0	PA0	B	General purpose I/O port
			AN8		A/D converter analog input
			SIN2R		UART2 data input (select with PE0)
43	52	PA1	PA1	B	General purpose I/O port
			AN9		A/D converter analog input
			SOT2R		UART2 data output (select with PE1)
44	53	PA2	PA2	B	General purpose I/O port
			AN10		A/D converter analog input
			SCK2R		UART2 clock I/O (select with PE2)
45	54	PA3	PA3	B	General purpose I/O port
			AN11		A/D converter analog input
46	55	PA4	PA4	B	General purpose I/O port
			AN12		A/D converter analog input
47	56	PA5	PA5	B	General purpose I/O port
			AN13		A/D converter analog input
48	57	PA6	PA6	B	General purpose I/O port
			AN14		A/D converter analog input
49	58	PA7	PA7	B	General purpose I/O port
			AN15		A/D converter analog input
50	62	PB0	PB0	B	General purpose I/O port
			AN16		A/D converter analog input
			INT0R		External interrupt 0 input (select with PF0)
51	63	PB1	PB1	B	General purpose I/O port
			AN17		A/D converter analog input
			INT1R		External interrupt 1 input (select with PF1)
52	64	PB2	PB2	B	General purpose I/O port
			AN18		A/D converter analog input
			INT2R		External interrupt 2 input (select with PF2)
53	65	PB3	PB3	B	General purpose I/O port
			AN19		A/D converter analog input
			INT3R		External interrupt 3 input (select with PF3)

(Continued)

MB91210 Series

Pin no.		Pin name	Function name	I/O circuit type*3	Function
LQFP*1	LQFP*2				
54	66	PB4	PB4	B	General purpose I/O port
			AN20		A/D converter analog input
			INT4R		External interrupt 4 input (select with PF4)
55	67	PB5	PB5	B	General purpose I/O port
			AN21		A/D converter analog input
			INT5R		External interrupt 5 input (select with PF5)
56	68	PB6	PB6	B	General purpose I/O port
			AN22		A/D converter analog input
			INT6R		External interrupt 6 input (select with PF6)
57	69	PB7	PB7	B	General purpose I/O port
			AN23		A/D converter analog input
			INT7R		External interrupt 7 input (select with PF7)
—	70	PC0	PC0	B	General purpose I/O port
—			AN24		A/D converter analog input
—	71	PC1	PC1	B	General purpose I/O port
—			AN25		A/D converter analog input
—	74	PC2	PC2	B	General purpose I/O port
—			AN26		A/D converter analog input
—	75	PC3	PC3	B	General purpose I/O port
—			AN27		A/D converter analog input
—	76	PC4	PC4	B	General purpose I/O port
—			AN28		A/D converter analog input
—	77	PC5	PC5	B	General purpose I/O port
—			AN29		A/D converter analog input
—	78	PC6	PC6	B	General purpose I/O port
—			AN30		A/D converter analog input
—	79	PC7	PC7	B	General purpose I/O port
—			AN31		A/D converter analog input
60	80	PD0	PD0	A	General purpose I/O port
			TIN0		External event input of reload timer 0
			ATGX		A/D converter external trigger input
61	81	PD1	PD1	A	General purpose I/O port
			TOT0		Reload timer 0 output
62	82	PD2	PD2	A	General purpose I/O port
			SIN0		UART0 data input

(Continued)

MB91210 Series

Pin no.		Pin name	Function name	I/O circuit type*3	Function
LQFP*1	LQFP*2				
63	83	PD3	PD3	A	General purpose I/O port
			SOT0		UART0 data output
64	84	PD4	PD4	A	General purpose I/O port
			SCK0		UART0 clock I/O
65	85	PD5	PD5	A	General purpose I/O port
			SIN1		UART1 data input
66	86	PD6	PD6	A	General purpose I/O port
			SOT1		UART1 data output
67	87	PD7	PD7	A	General purpose I/O port
			SCK1		UART1 clock I/O
13	88	PE0	PE0	A	General purpose I/O port
			SIN2		UART2 data input
14	89	PE1	PE1	A	General purpose I/O port
			SOT2		UART2 data output
15	90	PE2	PE2	A	General purpose I/O port
			SCK2		UART2 clock I/O
—	91	PF0	PF0	A	General purpose I/O port
			INT0		External interrupt 0 input
—	94	PF1	PF1	A	General purpose I/O port
			INT1		External interrupt 1 input
—	95	PF2	PF2	A	General purpose I/O port
			INT2		External interrupt 2 input
—	96	PF3	PF3	A	General purpose I/O port
			INT3		External interrupt 3 input
—	97	PF4	PF4	A	General purpose I/O port
			INT4		External interrupt 4 input
—	98	PF5	PF5	A	General purpose I/O port
			INT5		External interrupt 5 input
—	99	PF6	PF6	A	General purpose I/O port
			INT6		External interrupt 6 input
—	100	PF7	PF7	A	General purpose I/O port
			INT7		External interrupt 7 input
26, 59, 92	1, 24, 37, 73, 93, 112	VCC	—	—	Power supply pins (5 V)

(Continued)

MB91210 Series

(Continued)

Pin no.		Pin name	Function name	I/O circuit type*3	Function
LQFP*1	LQFP*2				
25, 58, 75, 91	23, 36, 72, 92, 108, 111, 144	VSS	—	—	Power supply pins (0 V)
24	35	C	—	—	Power stabilization capacitance pin
39	59	AVCC	—	—	Analog power supply pin
40	60	AVSS	—	—	Analog power supply pin
		AVRL	—	—	Base power supply pin for A/D converter
41	61	AVRH	—	—	Base power supply pin for A/D converter

*1 : FPT-100P-M20

*2 : FPT-144P-M08

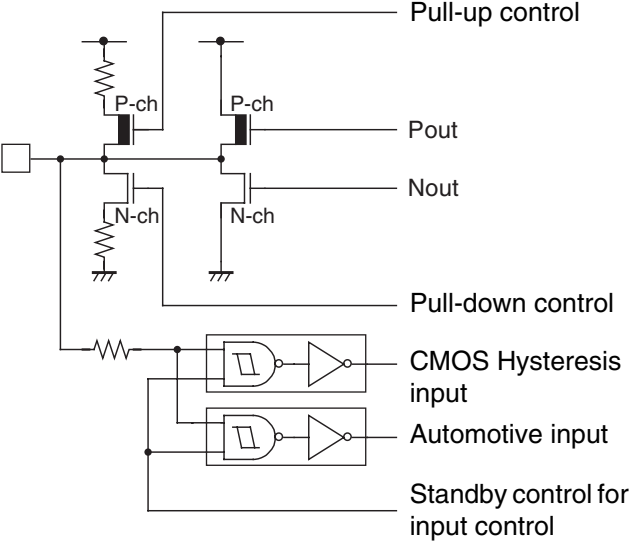
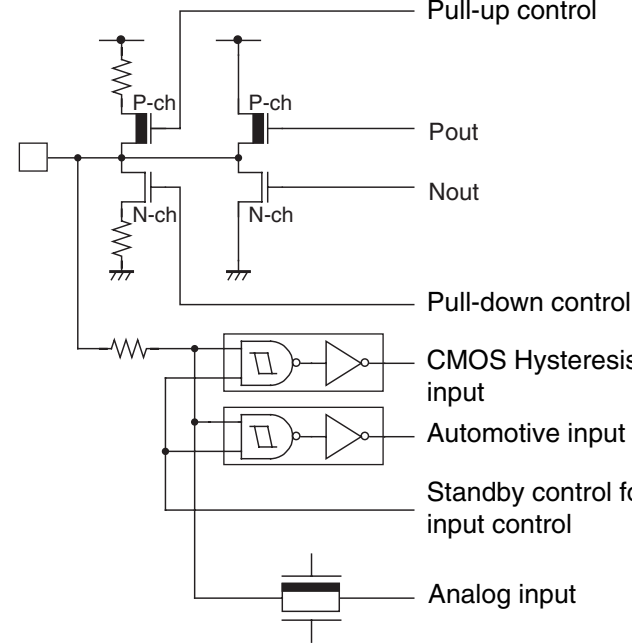
*3 : For information about the I/O circuit type, refer to “■ I/O CIRCUIT TYPE”.

*4 : MB91F211 can be selected by MD3 to MD0 of mode pins.

MD pin	76 pin	77 pin
0000	X0A	X1A
0011	P72	P73
Other than above	Setting prohibited	

P72 and P73 function as general-purpose I/O ports only.

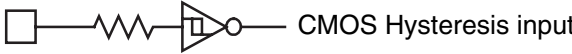
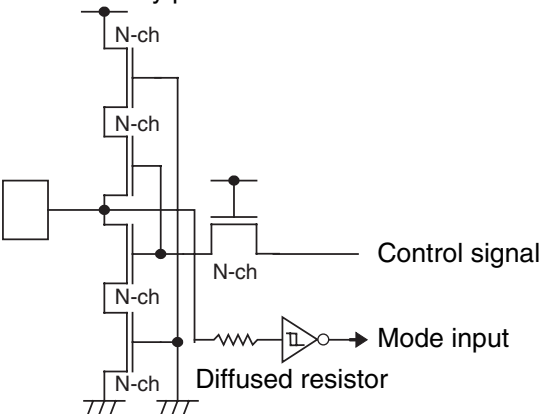
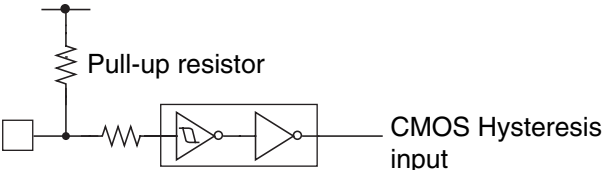
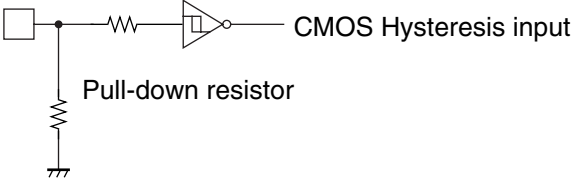
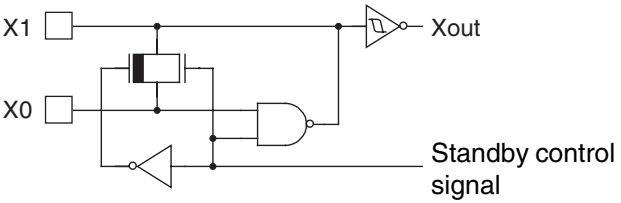
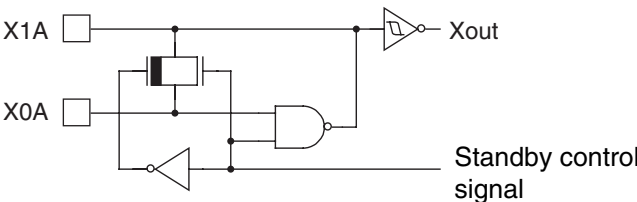
■ I/O CIRCUIT TYPE

Group	Circuit Type	Remarks
A	 <p> Pull-up control Pout Nout Pull-down control CMOS Hysteresis input Automotive input Standby control for input control </p>	<ul style="list-style-type: none"> • CMOS level output • CMOS hysteresis input (with standby-time input shutdown function) • Automotive input (with standby-time input shutdown function)
B	 <p> Pull-up control Pout Nout Pull-down control CMOS Hysteresis input Automotive input Standby control for input control Analog input </p>	<ul style="list-style-type: none"> • CMOS level output • CMOS hysteresis input (with standby-time input shutdown function) • Automotive input (with standby-time input shutdown function) • A/D analog input

(Continued)

MB91210 Series

(Continued)

Group	Circuit Type	Remarks
C	<p>MASK ROM product</p>  <p>Flash memory product</p> 	<p>Mask ROM product</p> <ul style="list-style-type: none"> • CMOS hysteresis input • MD 2 : Pull-down provided <p>Flash memory product</p> <ul style="list-style-type: none"> • High-voltage control signal for test provided • MD 2 : No pull-down provided
D		CMOS hysteresis input
E		CMOS hysteresis input
OA OB		<p>Oscillation circuit</p> <p>High speed oscillation feedback resistance : approx. 1 MΩ</p>
WA WB		<p>Oscillation circuit</p> <p>Low speed oscillation feedback resistance : approx. 20 MΩ</p>

■ HANDLING DEVICES

• Preventing latch-up

Latch-up may occur in a CMOS IC, if a voltage greater than V_{CC} pin or less than V_{SS} pin is applied to input and output pin, or if an above-rating voltage is applied between V_{CC} and V_{SS} . When latch-up occurs, it may significantly increase the power supply current, and may cause thermal destruction of an element. When you use a CMOS IC, be very careful not to exceed the maximum rating.

• Treatment of unused pins

Do not leave an unused input pin open, since it may cause a malfunction. Handle by performing a pull-up or pull-down with a resistance of 2 k Ω or more. An unused I/O pin should be set to the output status and left open. When set to the input status, it should be handled in the same way as an input pin.

• About power supply pins

If there are multiple V_{CC} and V_{SS} pins, from the point of view of device design pins to be of the same potential are connected inside the device to prevent such malfunctioning as latch-up. However, you must connect all the pins to external power supply and a ground line to lower the electro-magnetic emission level, to prevent abnormal operation of strobe signals caused by the rise in the ground level, and to conform to the total output current rating. Moreover, connect the current supply source with the V_{CC} and V_{SS} pins of this device at the low impedance.

Furthermore, it is also advisable to connect a ceramic bypass capacitor of approximately 0.1 μF between V_{CC} and V_{SS} near this device.

This device incorporates a regulator. When using the device with 5 V power supply, apply that power supply to the V_{CC} pin and always connect a 1 μF or greater capacitor to the C pin for the regulator.

• Crystal oscillator circuit

Noise near the X0/X1 pins and X0A/X1A pins may cause the device to malfunction. Design the PC board such that X0/X1 pins, X0A/X1A pins, the crystal oscillator (or ceramic oscillator), and the bypass capacitor to the ground are placed as near one another as possible. When routing the X0 and X1 signals, they should be shielded for use on the board. Caution must be taken especially when using a pin next to the X0.

It is strongly recommended to design the PC board artwork with the X0, X1, X0A and X1A pins surrounded by ground plane because stable operation can be expected with such a layout.

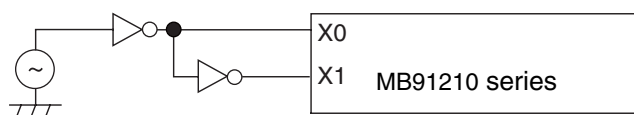
In addition, a sub clock is required even when a dual clock product is used as a single clock product.

Please ask the crystal maker to evaluate the oscillational characteristics of the crystal and this device.

• Notes on using external clock

When an external clock is used, supply the opposite phase clock to X0/X1 pins, simultaneously. Note that input only to X0 pin cannot be used. Also, when an external clock is used, do not use the STOP mode (oscillation stop mode). (This is because the X1 pin stops at "H" output in the STOP mode.)

Example Application of External Clock (Normal)



Note : STOP mode (oscillation stop mode) cannot be used.

MB91210 Series

- Handling of NC/OPEN pins

Always leave NC pins and OPEN pins open.

- Mode pins (MD0 to MD3)

These pins should be connected directly to V_{CC} or V_{SS} pins. To prevent the device erroneously switching to test mode due to noise, design the PC board such that the distance between the mode pins and V_{CC} or V_{SS} pins is as short as possible and the connection impedance is low.

- Power-on

Upon power-on, INITX pin must have been set to “L” level.

- Source oscillation input upon power-on

Upon power-on, never fail to input the clock until the oscillation stabilization wait is cancelled.

- About Flash write

Note that Flash write/erase is not possible in the sub mode.

- Treatment of power supply pins on A/D converter

Connect to ensure “ $AV_{CC} = AVRH = V_{CC}$ and $AV_{SS} = V_{SS}$ ” even if the A/D converter is not in use.

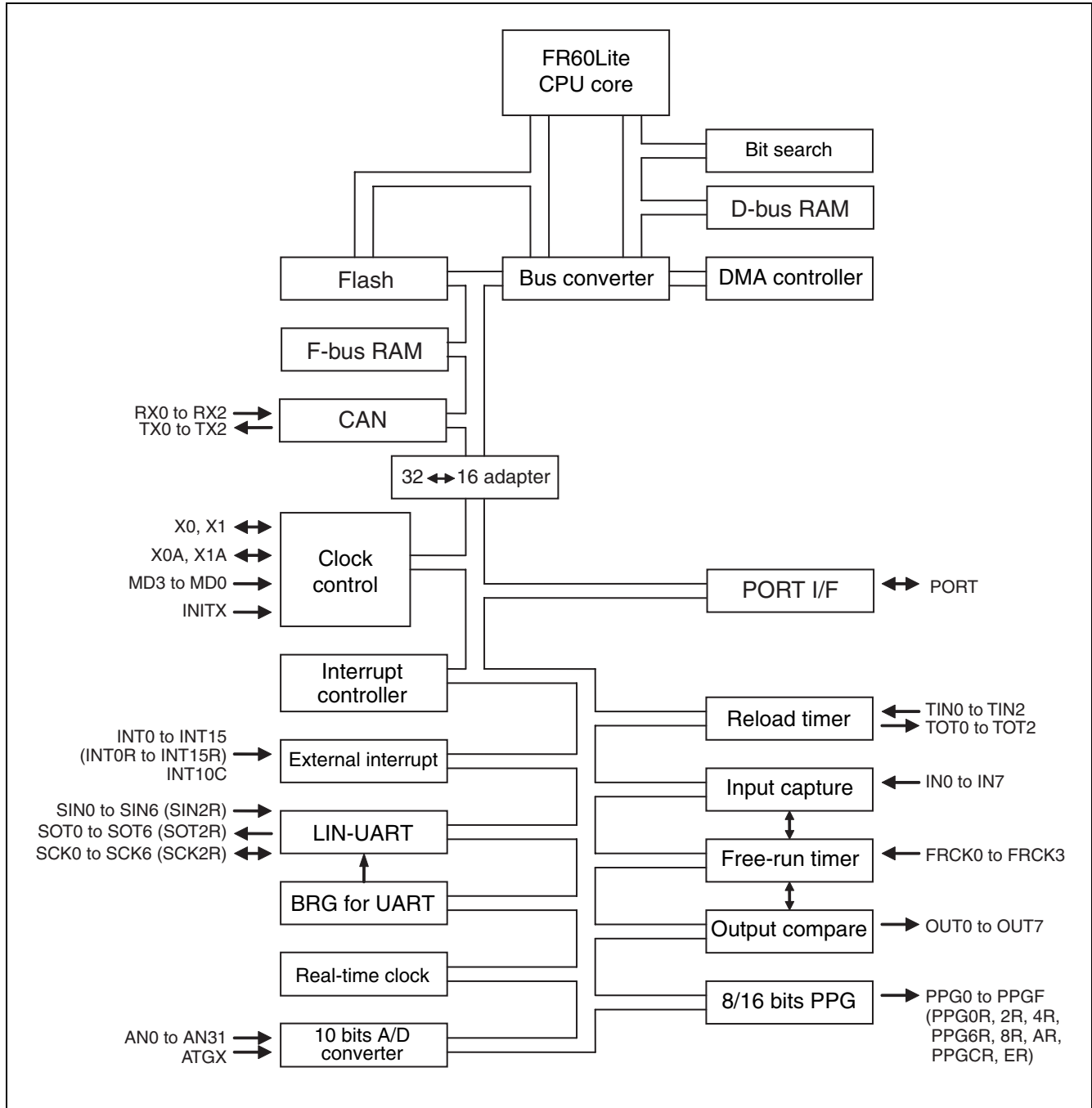
- Power-on sequence for power supply analog input of A/D converter

Always supply power to the A/D converter (AV_{CC} and $AVRH$) and apply analog input (AN0 to AN 31) after turning on the digital power supply (V_{CC}). Also, turn off the power supply for the A/D converter and analog input before turning off the digital power supply (V_{CC}). In so doing, the power supply must be turn on and off so that $AVRH$ does not exceed AV_{CC} . Even when using a pin shared with analog input as an input port, ensure that the input voltage does not exceed AV_{CC} (There is no problem in turning on or off the A/D converter (AV_{CC} and $AVRH$) and digital power supplies at the same time).

- Caution on operations during PLL clock mode

Even if the oscillator comes off or the clock input stops with the PLL clock selected for this microcontroller, the microcontroller may continue to operate at the free-running frequency of the PLL's internal self-oscillating oscillator circuit. Performance of this operation is not guaranteed.

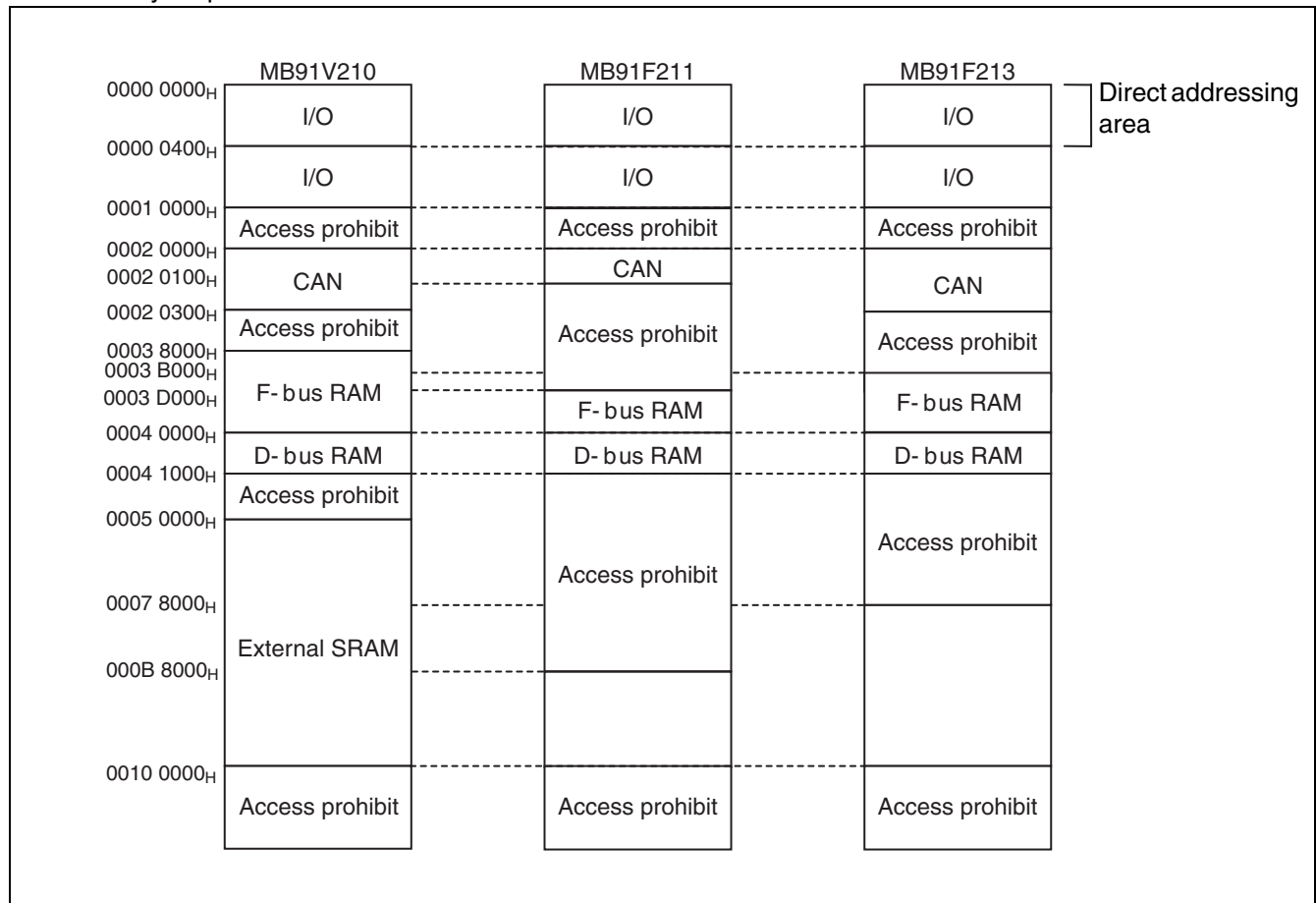
■ BLOCK DIAGRAM



MB91210 Series

■ MEMORY SPACE

- Memory map



■ MODE SETTINGS

In the FR family, the operating mode is set by the mode pins (MD3, 2, 1, 0) and the mode register (MODR).

- Mode pins

There are four mode pins (MD3 to MD0) to specify how to fetch the mode vector.

Settings other than these in the table are prohibited.

Mode pin				Mode name	Reset vector access area	Remarks
MD3	MD2	MD1	MD0			
0	0	0	0	Internal ROM mode vector	Internal	
0	0	0	1	External ROM mode vector	External	Setting is prohibited in this device.

Note: In the FR family, the external mode vector fetch by a multiplex bus is not supported.

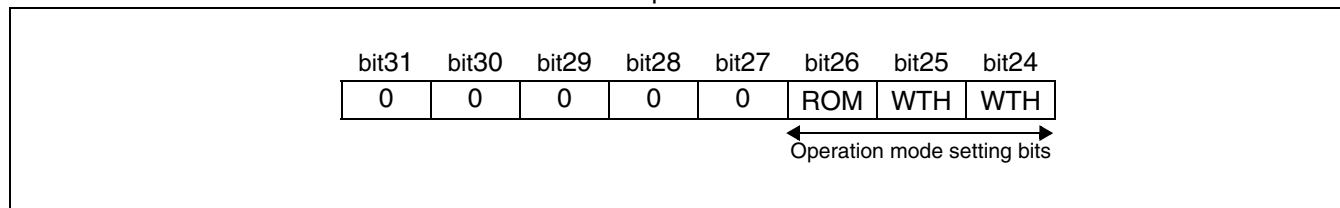
- Mode data

Data written to the mode register by a mode vector fetch is called mode data.

After an operating mode has been set in the mode register (MODR), the device operates in that operating mode.

The mode data is set by all reset sources. User programs cannot set data to the mode register.

Detailed description of mode data



[bit7 to bit3] Reserved bits

Always set the value to “00000_B”.

Normal operation is not guaranteed when a value other than “00000_B” is set.

[bit2] ROMA (Internal ROM enable bit)

This bit sets whether to enable F-bus ROM areas.

ROMA	Function	Remarks
0	External ROM mode	Internal ROM area (50000 _H to FFFFF _H) becomes the external area.
1	Internal ROM mode	F-bus ROM is enabled.

MB91210 Series

[bit1, bit0] WTH1, WTH0 (Bus width specification bits)

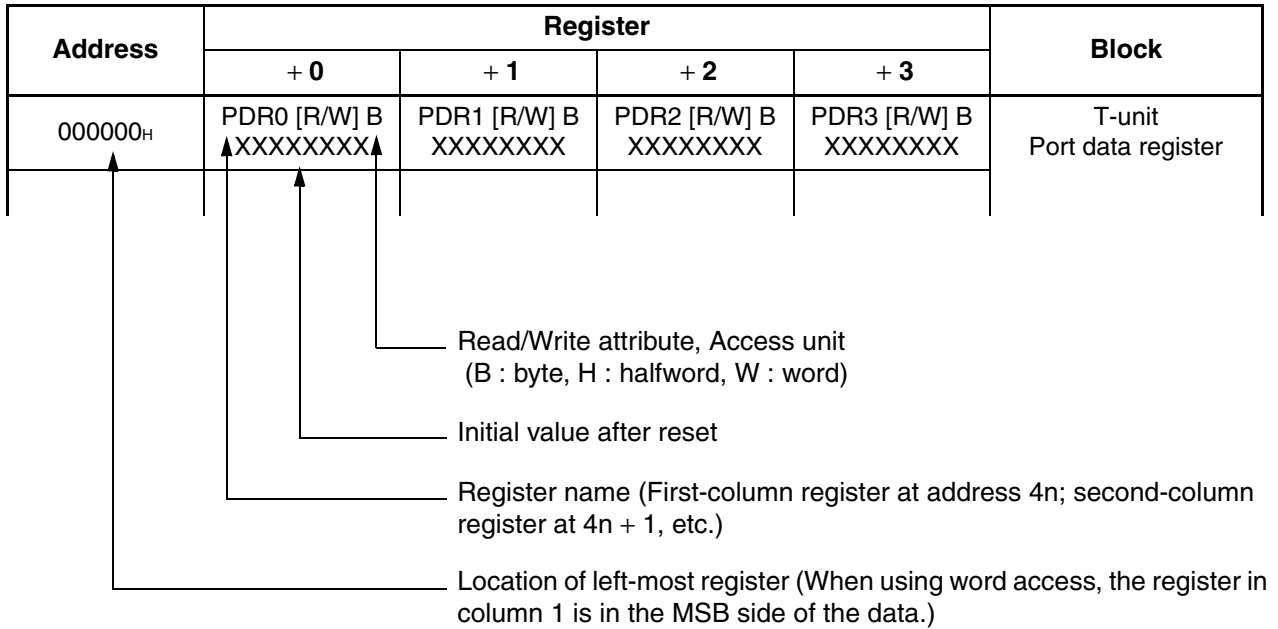
These bits set the bus width specification in external bus mode.

In external bus mode, this value is set in the DBW0 bit of ACR0 (CS0 area).

WTH1	WTH0	Function	Remarks
0	0	8-bit bus width	Setup prohibited
0	1	16-bit bus width	Setup prohibited
1	0	—	Setup prohibited
1	1	Single-chip mode	Single-chip mode

■ I/O MAP

[How to read the map]



Notes: Initial values of register bits are represented as follows :

- “1” : Initial value “1”
- “0” : Initial value “0”
- “X” : Initial value “undefined”
- “-” : No physical register present at this location.

Access by any undescribed data is prohibited.

MB91210 Series

Address	Register				Block
	+0	+1	+2	+3	
000000H	PDR0(R/W) B, H XXXXXXXX	PDR1(R/W) B, H XXXXXXXX	PDR2(R/W) B, H XXXXXXXX	PDR3(R/W) B, H XXXXXXXX	Port Data Register
000004H	PDR4(R/W) B, H XXXXXXXX	PDR5(R/W) B, H XXXXXXXX	PDR6(R/W) B, H XXXXXXXX	PDR7(R/W) B, H XXXXXXXX	
000008H	PDR8(R/W) B, H --XXXXXX	PDR9(R/W) B, H XXXXXXXX	PDRA(R/W) B, H XXXXXXXX	PDRB(R/W) B, H XXXXXXXX	
00000CH	PDRC(R/W) B, H XXXXXXXX	PDRD(R/W) B, H XXXXXXXX	PDRE(R/W) B, H ----XXX	PDRF(R/W) B, H XXXXXXXX	
000010H to 00003CH	—				Reserved
000040H	EIRR0(R/W) B, H, W 00000000	ENIRO(R/W) B, H, W 00000000	ELVR0(R/W) B, H, W 00000000 00000000		External Interrupt (INT0 to INT7)
000044H	DICR(R/W) B, H, W -----0	HRCL(R/W BIT4 only R) B 0--11111	—		Delay Interrupt Module
000048H	TMRLR0(W) H, W XXXXXXXX XXXXXXXX		TMR0(R) H, W XXXXXXXX XXXXXXXX		Reload Timer 0
00004CH	—		TMCSR0(R/W, only bit6: R) B, H, W ---0000 00000000		
000050H	TMRLR1(W) H, W XXXXXXXX XXXXXXXX		TMR1(R) H, W XXXXXXXX XXXXXXXX		Reload Timer 1
000054H	—		TMCSR1(R/W, only bit6: R) B, H, W ---0000 00000000		
000058H	TMRLR2(W) H, W XXXXXXXX XXXXXXXX		TMR2(R) H, W XXXXXXXX XXXXXXXX		Reload Timer 2
00005CH	—		TMCSR2(R/W, only bit6: R) B, H, W ---0000 00000000		
000060H	SCR0(R/W, only 10bit: W) B, H, W 00000000	SMR0(R/W, only bit3, 2: W) B, H, W 00000000	SSR0 (bit10 to 8: R/W, bit15 to 11: R) B, H, W 00001000	RDR0/TDR0(R/W, only bit3, 2: W) B, H, W 00000000	UART 0
000064H	ESCR0 (R/W) B, H, W 00000100	ECCR0(bit6:W bit5-3:R/W bit1- 0:R) B, H, W 000000XX	BGR10(R/W) B, H, W 10000000	BGR00(R/W) B, H, W 00000000	

(Continued)

MB91210 Series

Address	Register				Block
	+0	+1	+2	+3	
000068 _H	SCR5(R/W, only 10bit: W) B, H, W 00000000	SMR5(R/W, only bit3, 2: W) B, H, W 00000000	SSR5 (bit10 to 8: R/W, bit15 to 11: R) B, H, W 00001000	RDR5/TDR5(R/W, only bit3, 2: W) B, H, W 00000000	UART 5
00006C _H	ESCR5 (R/W) B, H, W 00000100	ECCR5(bit6:W bit5-3:R/W bit1-0:R) B, H, W 000000XX	BGR15(R/W) B, H, W 10000000	BGR05(R/W) B, H, W 00000000	
000070 _H	SCR6(R/W, only 10bit: W) B, H, W 00000000	SMR6(R/W, only bit3, 2: W) B, H, W 00000000	SSR6 (bit10 to 8: R/W, bit15 to 11: R) B, H, W 00001000	RDR6/TDR6(R/W, bit3, 2: W) B, H, W 00000000	UART 6
000074 _H	ESCR6 (R/W) B, H, W 00000100	ECCR6(bit6:W bit5-3:R/W bit1-0:R) B, H, W 000000XX	BGR16(R/W) B, H, W 10000000	BGR06(R/W) B, H, W 00000000	
000078 _H to 0000AC _H	—				Reserved
0000B0 _H	SCR1(R/W, only 10bit: W) B, H, W 00000000	SMR1(R/W, only bit3, 2: W) B, H, W 00000000	SSR1 (bit10 to 8: R/W, bit15 to 11: R) B, H, W 00001000	RDR1/TDR1(R/W, bit3, 2: W) B, H, W 00000000	UART 1
0000B4 _H	ESCR1 (R/W) B, H, W 00000100	ECCR1(bit6:W bit5-3:R/W bit1-0:R) B, H, W 000000XX	BGR11(R/W) B, H, W 10000000	BGR01(R/W) B, H, W 00000000	
0000B8 _H	SCR2(R/W, only 10bit: W) B, H, W 00000000	SMR2(R/W, only bit3, 2: W) B, H, W 00000000	SSR2 (bit10 to 8: R/W, bit15 to 11: R) B, H, W 00001000	RDR2/TDR2(R/W, bit3, 2: W) B, H, W 00000000	UART 2
0000BC _H	ESCR2 (R/W) B, H, W 00000100	ECCR2(bit6:W bit5-3:R/W bit1-0:R) B, H, W 000000XX	BGR12(R/W) B, H, W 10000000	BGR02(R/W) B, H, W 00000000	
0000C0 _H	SCR3(R/W, only 10bit: W) B, H, W 00000000	SMR3(R/W, only bit3, 2: W) B, H, W 00000000	SSR3 (bit10 to 8: R/W, bit15 to 11: R) B, H, W 00001000	RDR3/TDR3(R/W, bit3, 2: W) B, H, W 00000000	UART 3
0000C4 _H	ESCR3 (R/W) B, H, W 00000100	ECCR3(bit6:W bit5-3:R/W bit1-0:R) B, H, W 000000XX	BGR13(R/W) B, H, W 10000000	BGR03(R/W) B, H, W 00000000	

(Continued)

MB91210 Series

Address	Register				Block
	+0	+1	+2	+3	
0000C8 _H	SCR4(R/W, only 10bit: W) B, H, W 00000000	SMR4(R/W, only bit3, 2: W) B, H, W 00000000	SSR4 (bit10 to 8: R/W, bit15 to 11: R) B, H, W 00001000	RDR4/TDR4(R/W, bit3, 2: W) B, H, W 00000000	UART 4
0000CC _H	ESCR4 (R/W) B, H, W 00000100	ECCR4(bit6:W bit5-3:R/W bit1-0:R) B, H, W 000000XX	BGR14(R/W) B, H, W 10000000	BGR04(R/W) B, H, W 00000000	
0000D0 _H	EIRR0(R/W) B, H, W 00000000	ENIR0(R/W) B, H, W 00000000	ELVR0(R/W) B, H, W 00000000 00000000		External interrupt (INT8 to INT15)
0000D4 _H	TCDT0(R/W) H, W 00000000 00000000		—	TCCS0(R/W) B, H, W 00000000	Free Run Timer 0
0000D8 _H	TCDT1(R/W) H, W 00000000 00000000		—	TCCS1(R/W) B, H, W 00000000	Free Run Timer 1
0000DC _H	TCDT2(R/W) H, W 00000000 00000000		—	TCCS2(R/W) B, H, W 00000000	Free Run Timer 2
0000E0 _H	TCDT3(R/W) H, W 00000000 00000000		—	TCCS3(R/W) B, H, W 00000000	Free Run Timer 3
0000E4 _H	IPCP1 (R) H, W XXXXXXXX XXXXXXXX		IPCP0 (R) H, W XXXXXXXX XXXXXXXX		Input Capture 0, 1
0000E8 _H	—		ICS01 (R/W) B, H, W 00000000		
0000EC _H	IPCP3 (R) H, W XXXXXXXX XXXXXXXX		IPCP2 (R) H, W XXXXXXXX XXXXXXXX		Input Capture 2, 3
0000F0 _H	—		ICS23 (R/W) B, H, W 00000000		
0000F4 _H	IPCP5 (R) H, W XXXXXXXX XXXXXXXX		IPCP4 (R) H, W XXXXXXXX XXXXXXXX		Input Capture 4, 5
0000F8 _H	—		ICS45 (R/W) B, H, W 00000000		
0000FC _H	IPCP7 (R) H, W XXXXXXXX XXXXXXXX		IPCP6 (R) H, W XXXXXXXX XXXXXXXX		Input Capture 6, 7
000100 _H	—		ICS67 (R/W) B, H, W 00000000		

(Continued)

MB91210 Series

Address	Register				Block
	+0	+1	+2	+3	
000104 _H	—				Reserved
000108 _H	OCCP1(R/W) H, W XXXXXXXX XXXXXXXX		OCCP0(R/W) H, W XXXXXXXX XXXXXXXX		Output Compare 0, 1
00010C _H	OCCP3(R/W) H, W XXXXXXXX XXXXXXXX		OCCP2(R/W) H, W XXXXXXXX XXXXXXXX		Output Compare 2, 3
000110 _H	OCS23(R/W) B, H, W 11101100 00001100		OCS01(R/W) B, H, W 11101100 00001100		Output Compare Cntl 0 to Cntl 3
000114 _H	OCCP5(R/W) H, W XXXXXXXX XXXXXXXX		OCCP4(R/W) H, W XXXXXXXX XXXXXXXX		Output Compare 4, 5
000118 _H	OCCP7(R/W) H, W XXXXXXXX XXXXXXXX		OCCP6(R/W) H, W XXXXXXXX XXXXXXXX		Output Compare 6, 7
00011C _H	OCS67(R/W) B, H, W 11101100 00001100		OCS45(R/W) B, H, W 11101100 00001100		Output Compare Cntl 4 to Cntl 7
000120 _H to 000140 _H	—				Reserved
000144 _H	—	WTDBL(R/W) B -----00	WTCR(R/W) B, H 00000000 000-00-0		Real-Time Clock
000148 _H	—	WTBR2(R/W) B ---XXXXX	WTBR1(R/W) B XXXXXXXXXX	WTBR0(R/W) B XXXXXXXXXX	
00014C _H	WTHR(R/W) B, H ---XXXXX	WTMR(R/W) B, H --XXXXXX	WTSR(R/W) B --XXXXXX	—	
000150 _H	ADERH(R/W) B, H, W 00000000 00000000		ADERL(R/W) B, H, W 00000000 00000000		A/D Converter
000154 _H	ADCS1(R/W) B, H, W 00000000	ADCS0(bit7-5:R/W bit4-0:R) B, H, W 00000000	ADCR1 (R) B, H, W -----XX	ADCR0(bit7-5:R/W bit4-0:R) B, H, W XXXXXXXXXX	
000158 _H	ADCT1(R/W) B, H, W 00010000	ADCT0(R/W) B, H, W 00101100	ADSCH(R/W) B, H, W ---00000	ADECH(R/W) B, H, W ---00000	
00015C _H	—	CUCR(bit7, 6, 5, 3:R bit4, 2, 1, 0:R/ W) B, H, W 00000000	CUTD (R/W) B, H, W 10000000 00000000		Sub Clock Calibration unit
000160 _H	CUTR1 (R) B, H, W 00000000 00000000		CUTR2 (R) B, H, W 00000000 00000000		
000164 _H to 0001A4 _H	—				Reserved
0001A8 _H	CANPRE(bit7-4:R bit3-0:R/W) B, H, W 00000000	—	EISSR(R/W) B, H, W 00000000 00000000		Select CAN Clock Prescaler external interrupt

(Continued)

MB91210 Series

Address	Register				Block
	+0	+1	+2	+3	
0001AC _H	—				Reserved
0001B0 _H	PRLH0(R/W) B, H, W XXXXXXXXX	PRLL0(R/W) B, H, W XXXXXXXXX	PRLH1(R/W) B, H, W XXXXXXXXX	PRLL1(R/W) B, H, W XXXXXXXXX	PPG 0 to PPG 3
0001B4 _H	PRLH2(R/W) B, H, W XXXXXXXXX	PRLL2(R/W) B, H, W XXXXXXXXX	PRLH3(R/W) B, H, W XXXXXXXXX	PRLL3(R/W) B, H, W XXXXXXXXX	
0001B8 _H	PPGC0(R/W) B, H, W 0000000X	PPGC1(R/W) B, H, W 0000000X	PPGC2(R/W) B, H, W 0000000X	PPGC3(R/W) B, H, W 0000000X	
0001BC _H	—				Reserved
0001C0 _H	PRLH4(R/W) B, H, W XXXXXXXXX	PRLL4(R/W) B, H, W XXXXXXXXX	PRLH5(R/W) B, H, W XXXXXXXXX	PRLL5(R/W) B, H, W XXXXXXXXX	PPG 4 to PPG 7
0001C4 _H	PRLH6(R/W) B, H, W XXXXXXXXX	PRLL6(R/W) B, H, W XXXXXXXXX	PRLH7(R/W) B, H, W XXXXXXXXX	PRLL7(R/W) B, H, W XXXXXXXXX	
0001C8 _H	PPGC4(R/W) B, H, W 0000000X	PPGC5(R/W) B, H, W 0000000X	PPGC6(R/W) B, H, W 0000000X	PPGC7(R/W) B, H, W 0000000X	
0001CC _H	—				Reserved
0001D0 _H	PRLH8(R/W) B, H, W XXXXXXXXX	PRLL8(R/W) B, H, W XXXXXXXXX	PRLH9(R/W) B, H, W XXXXXXXXX	PRLL9(R/W) B, H, W XXXXXXXXX	PPG 8 to PPG B
0001D4 _H	PRLHA(R/W) B, H, W XXXXXXXXX	PRLLA(R/W) B, H, W XXXXXXXXX	PRLHB(R/W) B, H, W XXXXXXXXX	PRLLB(R/W) B, H, W XXXXXXXXX	
0001D8 _H	PPGC8(R/W) B, H, W 0000000X	PPGC9(R/W) B, H, W 0000000X	PPGCA(R/W) B, H, W 0000000X	PPGCB(R/W) B, H, W 0000000X	
0001DC _H	—				Reserved
0001E0 _H	PRLHC(R/W) B, H, W XXXXXXXXX	PRLLC(R/W) B, H, W XXXXXXXXX	PRLHD(R/W) B, H, W XXXXXXXXX	PRLLD(R/W) B, H, W XXXXXXXXX	PPG C to PPG F
0001E4 _H	PRLHE(R/W) B, H, W XXXXXXXXX	PRLLE(R/W) B, H, W XXXXXXXXX	PRLHF(R/W) B, H, W XXXXXXXXX	PRLLF(R/W) B, H, W XXXXXXXXX	
0001E8 _H	PPGCC(R/W) B, H, W 0000000X	PPGCD(R/W) B, H, W 0000000X	PPGCE(R/W) B, H, W 0000000X	PPGCF(R/W) B, H, W 0000000X	
0001EC _H	—				Reserved

(Continued)

MB91210 Series

Address	Register				Block
	+0	+1	+2	+3	
0001F0 _H	TRG1(R/W) B, H, W 00000000	TRG0(R/W) B, H, W 00000000	REVC1(R/W) B, H, W 00000000	REVC0(R/W) B, H, W 00000000	PPG 0 to PPG F AP/INV
0001F4 _H to 0001FC _H	—				Reserved
000200 _H	The lower 16 bits (DTC[15:0]) of DMACA0 (R/W) B, H, W, cannot be accessed as bytes. 00000000 00000000 00000000 00000000				DMAC
000204 _H	DMACB0(R/W) B, H, W 00000000 00000000 00000000 00000000				
000208 _H	The lower 16 bits (DTC[15:0]) of DMACA1 (R/W) B, H, W, cannot be accessed as bytes. 00000000 00000000 00000000 00000000				
000210 _H	DMACB1(R/W) B, H, W 00000000 00000000 00000000 00000000				
000214 _H	The lower 16 bits (DTC[15:0]) of DMACA2 (R/W) B, H, W, cannot be accessed as bytes. 00000000 00000000 00000000 00000000				
000218 _H	DMACB2(R/W) B, H, W 00000000 00000000 00000000 00000000				
00021C _H	The lower 16 bits (DTC[15:0]) of DMACA3 (R/W) B, H, W, cannot be accessed as bytes. 00000000 00000000 00000000 00000000				
000220 _H	DMACB3(R/W) B, H, W 00000000 00000000 00000000 00000000				
000224 _H	The lower 16 bits (DTC[15:0]) of DMACA4 (R/W) B, H, W, cannot be accessed as bytes. 00000000 00000000 00000000 00000000				DMAC
000228 _H	DMACB4(R/W) B, H, W 00000000 00000000 00000000 00000000				
00022C _H to 00023C _H	—				Reserved
000240 _H	DMACR(bit31, 28-24:R/W bit30, 29, 23-0:R) B 0XX00000 XXXXXXXX XXXXXXXX XXXXXXXX				DMAC
000244 _H to 0003EC _H	—				Reserved

(Continued)

MB91210 Series

Address	Register				Block
	+0	+1	+2	+3	
0003F0 _H	BSD0 (W) W XXXXXXXX XXXXXXXX XXXXXXXX XXXXXXXX				Bit Search Module
0003F4 _H	BSD1 (R/W) W XXXXXXXX XXXXXXXX XXXXXXXX XXXXXXXX				
0003F8 _H	BSDC (W) W XXXXXXXX XXXXXXXX XXXXXXXX XXXXXXXX				
0003FC _H	BSRR (R) W XXXXXXXX XXXXXXXX XXXXXXXX XXXXXXXX				
000400 _H	DDR0(R/W) B, H, W 00000000	DDR1(R/W) B, H, W 00000000	DDR2(R/W) B, H, W 00000000	DDR3(R/W) B, H, W 00000000	Data Direction Register
000404 _H	DDR4(R/W) B, H, W 00000000	DDR5(R/W) B, H, W 00000000	DDR6(R/W) B, H, W ---00000	DDR7(R/W) B, H, W 00000000	
000408 _H	DDR8(R/W) B, H, W --000000	DDR9(R/W) B, H, W 00000000	DDRA(R/W) B, H, W 00000000	DDRB(R/W) B, H, W 00000000	
00040C _H	DDRC(R/W) B, H, W 00000000	DDRD(R/W) B, H, W 00000000	DDRE(R/W) B, H, W ----000	DDRF(R/W) B, H, W 00000000	
000410 _H to 00041C _H	—				Reserved
000420 _H	PFR0(R/W) B, H, W 0000-00-	PFR1(R/W) B, H, W 00-00-0-	PFR2(R/W) B, H, W 00000000	PFR3(R/W) B, H, W -----	Port Function Register
000424 _H	PFR4(R/W) B, H, W 00000000	PFR5(R/W) B, H, W -0000000	PFR6(R/W) B, H, W -----00	PFR7(R/W) B, H, W 00000-0-	
000428 _H	PFR8(R/W) B, H, W 000-----	PFR9(R/W) B, H, W 00000000	PFRA(R/W) B, H, W ----000	PFRB(R/W) B, H, W -----	
00042C _H	PFRC(R/W) B, H, W -----	PFRD(R/W) B, H, W 00-00-0-	PFRE(R/W) B, H, W ----00-	PFRF(R/W) B, H, W -----	
000430 _H to 00043C _H	—				Reserved

(Continued)

MB91210 Series

Address	Register				Block
	+0	+1	+2	+3	
000440 _H	ICR00(bit4:R bit3-0:R/W) B, H, W ---11111	ICR01(bit4:R bit3-0:R/W) B, H, W ---11111	ICR02(bit4:R bit3-0:R/W) B, H, W ---11111	ICR03(bit4:R bit3-0:R/W) B, H, W ---11111	Interrupt Control Unit
000444 _H	ICR04(bit4:R bit3-0:R/W) B, H, W ---11111	ICR05(bit4:R bit3-0:R/W) B, H, W ---11111	ICR06(bit4:R bit3-0:R/W) B, H, W ---11111	ICR07(bit4:R bit3-0:R/W) B, H, W ---11111	
000448 _H	ICR08(bit4:R bit3-0:R/W) B, H, W ---11111	ICR09(bit4:R bit3-0:R/W) B, H, W ---11111	ICR10(bit4:R bit3-0:R/W) B, H, W ---11111	ICR11(bit4:R bit3-0:R/W) B, H, W ---11111	
00044C _H	ICR12(bit4:R bit3-0:R/W) B, H, W ---11111	ICR13(bit4:R bit3-0:R/W) B, H, W ---11111	ICR14(bit4:R bit3-0:R/W) B, H, W ---11111	ICR15(bit4:R bit3-0:R/W) B, H, W ---11111	
000450 _H	ICR16(bit4:R bit3-0:R/W) B, H, W ---11111	ICR17(bit4:R bit3-0:R/W) B, H, W ---11111	ICR18(bit4:R bit3-0:R/W) B, H, W ---11111	ICR19(bit4:R bit3-0:R/W) B, H, W ---11111	
000454 _H	ICR20(bit4:R bit3-0:R/W) B, H, W ---11111	ICR21(bit4:R bit3-0:R/W) B, H, W ---11111	ICR22(bit4:R bit3-0:R/W) B, H, W ---11111	ICR23(bit4:R bit3-0:R/W) B, H, W ---11111	
000458 _H	ICR24(bit4:R bit3-0:R/W) B, H, W ---11111	ICR25(bit4:R bit3-0:R/W) B, H, W ---11111	ICR26(bit4:R bit3-0:R/W) B, H, W ---11111	ICR27(bit4:R bit3-0:R/W) B, H, W ---11111	
00045C _H	ICR28(bit4:R bit3-0:R/W) B, H, W ---11111	ICR29(bit4:R bit3-0:R/W) B, H, W ---11111	ICR30(bit4:R bit3-0:R/W) B, H, W ---11111	ICR31(bit4:R bit3-0:R/W) B, H, W ---11111	
000460 _H	ICR32(bit4:R bit3-0:R/W) B, H, W ---11111	ICR33(bit4:R bit3-0:R/W) B, H, W ---11111	ICR34(bit4:R bit3-0:R/W) B, H, W ---11111	ICR35(bit4:R bit3-0:R/W) B, H, W ---11111	
000464 _H	ICR36(bit4:R bit3-0:R/W) B, H, W ---11111	ICR37(bit4:R bit3-0:R/W) B, H, W ---11111	ICR38(bit4:R bit3-0:R/W) B, H, W ---11111	ICR39(bit4:R bit3-0:R/W) B, H, W ---11111	
000468 _H	ICR40(bit4:R bit3-0:R/W) B, H, W ---11111	ICR41(bit4:R bit3-0:R/W) B, H, W ---11111	ICR42(bit4:R bit3-0:R/W) B, H, W ---11111	ICR43(bit4:R bit3-0:R/W) B, H, W ---11111	
00046C _H	ICR44(bit4:R bit3-0:R/W) B, H, W ---11111	ICR45(bit4:R bit3-0:R/W) B, H, W ---11111	ICR46(bit4:R bit3-0:R/W) B, H, W ---11111	ICR47(bit4:R bit3-0:R/W) B, H, W ---11111	
000470 _H to 00047C _H	—				Reserved

(Continued)

MB91210 Series

Address	Register				Block
	+0	+1	+2	+3	
000480 _H	RSRR(bit15-10:R bit9, 8:R/W) B, H, W X****00	STCR(R/W) B, H, W 00110011(*: de- pends on source)	TBCR(bit15-10:R/ W bit9, 8:R) B, H, W 00XXXX11	CTBR(W) B, H, W XXXXXXXX	Clock Control Unit
000484 _H	CLKR(R/W) B, H, W 00000000	WPR(W) B, H, W XXXXXXXX	DIVR0(R/W) B, H, W 00000000	DIVR1(R/W) B, H, W 00000000	
000488 _H	—		OSCCR(R/W) B XXXXXXXX0	—	
00048C _H	—				Reserved
000490 _H	OSCCR(bit15-9:R/W bit8:W) B 000XX000 XXXXXXXX		—		Oscillation Stabili- zation Wait Time
000470 _H to 00047C _H	—				Reserved
000500 _H	PPER0(R/W) B, H, W 00000000	PPER1(R/W) B, H, W 00000000	PPER2(R/W) B, H, W 00000000	PPER3(R/W) B, H, W 00000000	Port Pull-down Select Register
000504 _H	PPER4(R/W) B, H, W 00000000	PPER5(R/W) B, H, W 00000000	PPER6(R/W) B, H, W ---00000	PPER7(R/W) B, H, W 00000000	
000508 _H	PPER8(R/W) B, H, W --000000	PPER9(R/W) B, H, W 00000000	PPERA(R/W) B, H, W 00000000	PPERB(R/W) B, H, W 00000000	
00050C _H	PPERC(R/W) B, H, W 00000000	PPERD(R/W) B, H, W 00000000	PPERE(R/W) B, H, W ----000	PPERF(R/W) B, H, W 00000000	
000510 _H to 00051C _H	—				Reserved

(Continued)

MB91210 Series

Address	Register				Block
	+0	+1	+2	+3	
000520 _H	PPCR0(R/W) B, H, W 11111111	PPCR1(R/W) B, H, W 11111111	PPCR2(R/W) B, H, W 11111111	PPCR3(R/W) B, H, W 11111111	Port Pull-down Control Register
000524 _H	PPCR4(R/W) B, H, W 11111111	PPCR5(R/W) B, H, W 11111111	PPCR6(R/W) B, H, W ---11111	PPCR7(R/W) B, H, W 11111111	
000528 _H	PPCR8(R/W) B, H, W --111111	PPCR9(R/W) B, H, W 11111111	PPCRA(R/W) B, H, W 11111111	PPCRB(R/W) B, H, W 11111111	
00052C _H	PPCRC(R/W) B, H, W 11111111	PPCRD(R/W) B, H, W 11111111	PPCRE(R/W) B, H, W ----111	PPCRF(R/W) B, H, W 11111111	
000530 _H to 00053C _H	—				Reserved
000540 _H	PILR0(R/W) B, H, W 00000000	PILR1(R/W) B, H, W 00000000	PILR2(R/W) B, H, W 00000000	PILR3(R/W) B, H, W 00000000	Port Input Level Select Register
000544 _H	PILR4(R/W) B, H, W 00000000	PILR5(R/W) B, H, W 00000000	PILR6(R/W) B, H, W ---00000	PILR7(R/W) B, H, W 00000000	
000548 _H	PILR8(R/W) B, H, W --000000	PILR9(R/W) B, H, W 00000000	PILRA(R/W) B, H, W 00000000	PILRB(R/W) B, H, W 00000000	
00054C _H	PILRC(R/W) B, H, W --000000	PILRD(R/W) B, H, W 00000000	PILRE(R/W) B, H, W ----000	PILRF(R/W) B, H, W 00000000	Port Input Level Select Register
000550 _H to 000574 _H	—				Reserved
000578 _H	—				Reserved
00057C _H to 00061C _H	—				Reserved

(Continued)

MB91210 Series

Address	Register				Block
	+0	+1	+2	+3	
000620 _H	PIDR0 (R) B, H, W XXXXXXXX	PIDR1 (R) B, H, W XXXXXXXX	PIDR2 (R) B, H, W XXXXXXXX	PIDR3 (R) B, H, W XXXXXXXX	Input Data Direct Read Register
000624 _H	PIDR4 (R) B, H, W XXXXXXXX	PIDR5 (R) B, H, W XXXXXXXX	PIDR6 (R) B, H, W --XXXXXX	PIDR7 (R) B, H, W XXXXXXXX	
000628 _H	PIDR8 (R) B, H, W XXXXXXXX	PIDR9 (R) B, H, W XXXXXXXX	PIDRA (R) B, H, W XXXXXXXX	PIDRB (R) B, H, W XXXXXXXX	
00062C _H	PIDRC (R) B, H, W XXXXXXXX	PIDRD (R) B, H, W XXXXXXXX	PIDRE (R) B, H, W ----XXX	PIDRF (R) B, H, W XXXXXXXX	
000630 _H to 000FFC _H	—				Reserved
001000 _H	DMASA0(R/W) W 00000000 00000000 00000000 00000000				DMA Controller
001004 _H	DMADA0(R/W) W 00000000 00000000 00000000 00000000				
001008 _H	DMASA1(R/W) W 00000000 00000000 00000000 00000000				
00100C _H	DMADA1(R/W) W 00000000 00000000 00000000 00000000				
001010 _H	DMASA2(R/W) W 00000000 00000000 00000000 00000000				
001014 _H	DMADA2(R/W) W 00000000 00000000 00000000 00000000				
001018 _H	DMASA3(R/W) W 00000000 00000000 00000000 00000000				
00101C _H	DMADA3(R/W) W 00000000 00000000 00000000 00000000				

(Continued)

MB91210 Series

Address	Register				Block
	+0	+1	+2	+3	
001020 _H	DMASA4(R/W) W 00000000 00000000 00000000 00000000				DMA Controller
001024 _H	DMADA4(R/W) W 00000000 00000000 00000000 00000000				
001028 _H to 006FFC _H	—				Reserved
007000 _H	FLCR(bit7-3:R bit2-0:R/W) B, H, W 0000X101			—	Flash Interface
007004 _H	FLWC(R/W) B, H, W 01011011			—	
007008 _H to 01FFFC _H	—				Reserved
020000 _H	CTRLR0(bit15-8:R bit7-0:R/W) B, H, W 00000000 00000001	STATR0(bit15-5:R bit4-0:R/W) B, H, W 00000000 00000000		CAN Controller 0	
020004 _H	ERRCNT0 (R) B, H, W 00000000 00000000	BTR0(bit15, 11-8:R bit14-12, 7-0:R/W) B, H, W 00100011 00000001			
020008 _H	INTR0 (R) B, H, W 00000000 00000000	TESTR0(bit15-7, 1, 0:R bit6-2:R/W) B, H, W 00000000 r0000000 (r : indication the level on the CAN bus)			
02000C _H	BRPER0(bit15-4:R bit4-0:R/W) B, H, W 00000000 00000000	—			
020010 _H	IF1CREQ0(bit15, 7-0:R/W bit14-8:R) B, H, W 00000000 00000001	IF1CMSK0(bit15-8:R bit7-0:R/W) B, H, W 00000000 00000000			
020014 _H	IF1MSK20(R/W) B, H, W 11111111 11111111	IF1MSK10(R/W) B, H, W 11111111 11111111		CAN Controller 0	
020018 _H	IF1ARB20(R/W) B, H, W 00000000 00000000	IF1ARB10(R/W) B, H, W 00000000 00000000			
02001C _H	IF1MCTR0(bit15-7, 3-0:R/W bit6-4:R) B, H, W 00000000 00000000	—			
020020 _H	IF1DTA10(R/W) B, H, W 00000000 00000000	IF1DTA20(R/W) B, H, W 00000000 00000000			
020024 _H	IF1DTB10(R/W) B, H, W 00000000 00000000	IF1DTB20(R/W) B, H, W 00000000 00000000			

(Continued)

MB91210 Series

Address	Register				Block
	+0	+1	+2	+3	
020028 _H to 02003C _H	—				Reserved
020040 _H	IF2CREQ0(bit15, 7-0:R/W bit14-8:R) B, H, W 00000000 00000001		IF2CMSK0(bit15-8:R bit7-0:R/W) B, H, W 00000000 00000000		CAN Controller 0
020044 _H	IF2MSK20(R/W) B, H, W 11111111 11111111		IF2MSK10(R/W) B, H, W 11111111 11111111		
020048 _H	IF2ARB20(R/W) B, H, W 00000000 00000000		IF2ARB10(R/W) B, H, W 00000000 00000000		
02004C _H	IF2MCTR0(bit15-7, 3-0:R/W bit6-4:R) B, H, W 00000000 00000000		—		
020050 _H	IF2DTA10(R/W) B, H, W 00000000 00000000		IF2DTA20(R/W) B, H, W 00000000 00000000		
020054 _H	IF2DTB10(R/W) B, H, W 00000000 00000000		IF2DTB20(R/W) B, H, W 00000000 00000000		
020058 _H to 02007C _H	—				Reserved
020080 _H	TREQR20 (R) B, H, W 00000000 00000000	—	TREQR10 (R) B, H, W 00000000 00000000	—	CAN Controller 0
020084 _H to 02008C _H	—				Reserved
020090 _H	NEWDT20 (R) B, H, W 00000000 00000000		NEWDT10 (R) B, H, W 00000000 00000000		CAN Controller 0
020094 _H to 02009C _H	—				Reserved
0200A0 _H	INTPND20 (R) B, H, W 00000000 00000000		INTPND10 (R) B, H, W 00000000 00000000		CAN Controller 0
0200A4 _H to 0200AC _H	—				Reserved
0200B0 _H	MSGVAL20 (R) B, H, W 00000000 00000000		MSGVAL10 (R) B, H, W 00000000 00000000		CAN Controller 0
0200B4 _H to 0200FC _H	—				Reserved

(Continued)

MB91210 Series

Address	Register				Block
	+0	+1	+2	+3	
020100 _H	CTRLR1(bit15-8:R bit7-0:R/W) B, H, W 00000000 00000001		STATR1(bit15-5:R bit4-0:R/W) B, H, W 00000000 00000000		CAN Controller 1
020104 _H	ERRCNT1 (R) B, H, W 00000000 00000000		BTR1(bit15, 11-8:R bit14-12, 7-0:R/W) B, H, W 00100011 00000001		
020108 _H	INTR1 (R) B, H, W 00000000 00000000		TESTR1(bit15-7, 1, 0:R bit6-2:R/W) B, H, W 00000000 r0000000 (r : indication the level on the CAN bus)		
02010C _H	BRPER1(bit15-4:R bit4-0:R/W) B, H, W 00000000 00000000		—		
020110 _H	IF1CREQ1(bit15, 7-0:R/W bit14-8:R) B, H, W 00000000 00000001		IF1CMSK1(bit15-8:R bit7-0:R/W) B, H, W 00000000 00000000		
020114 _H	IF1MSK21(R/W) B, H, W 11111111 11111111		IF1MSK1(R/W) B, H, W 11111111 11111111		
020118 _H	IF1ARB21(R/W) B, H, W 00000000 00000000		IF1ARB11(R/W) B, H, W 00000000 00000000		
02011C _H	IF1MCTR1(bit15-7, 3-0:R/W bit6-4:R) B, H, W 00000000 00000000		—		
020120 _H	IF1DTA11(R/W) B, H, W 00000000 00000000		IF1DTA21(R/W) B, H, W 00000000 00000000		
020124 _H	IF1DTB11(R/W) B, H, W 00000000 00000000		IF1DTB21(R/W) B, H, W 00000000 00000000		
020128 _H to 02013C _H	—				
020140 _H	IF2CREQ1(bit15, 7-0:R/W bit14-8:R) B, H, W 00000000 00000001		IF2CMSK1(bit15-8:R bit7-0:R/W) B, H, W 00000000 00000000		CAN Controller 1
020144 _H	IF2MSK21(R/W) B, H, W 11111111 11111111		IF2MSK11(R/W) B, H, W 11111111 11111111		
020148 _H	IF2ARB21(R/W) B, H, W 00000000 00000000		IF2ARB11(R/W) B, H, W 00000000 00000000		
02014C _H	IF2MCTR1(bit15-7, 3-0:R/W bit6-4:R) B, H, W 00000000 00000000		—		
020150 _H	IF2DTA11(R/W) B, H, W 00000000 00000000		IF2DTA21(R/W) B, H, W 00000000 00000000		
020154 _H	IF2DTB11(R/W) B, H, W 00000000 00000000		IF2DTB21(R/W) B, H, W 00000000 00000000		CAN Controller 1

(Continued)

MB91210 Series

Address	Register				Block
	+0	+1	+2	+3	
020158 _H to 02017C _H	—				Reserved
020180 _H	TREQR21 (R) B, H, W 00000000 00000000		TREQR11 (R) B, H, W 00000000 00000000		CAN Controller 1
020184 _H to 02018C _H	—				Reserved
020190 _H	NEWDT21 (R) B, H, W 00000000 00000000		NEWDT11 (R) B, H, W 00000000 00000000		CAN Controller 1
020194 _H to 02019C _H	—				Reserved
0201A0 _H	INTPND21 (R) B, H, W 00000000 00000000		INTPND11 (R) B, H, W 00000000 00000000		CAN Controller 1
0201A4 _H to 0201AC _H	—				Reserved
0201B0 _H	MSGVAL21 (R) B, H, W 00000000 00000000		MSGVAL11 (R) B, H, W 00000000 00000000		CAN Controller 1
0200B4 _H to 0200FC _H	—				Reserved
020200 _H	CTRLR2(bit15-8:R bit7-0:R/W) B, H, W 00000000 00000001		STATR2(bit15-5:R bit4-0:R/W) B, H, W 00000000 00000000		CAN Controller 2
020204 _H	ERRCNT2 (R) B, H, W 00000000 00000000		BTR2(bit15, 11-8:R bit14-12, 7-0:R/W) B, H, W 00100011 00000001		
020208 _H	INTR2 (R) B, H, W 00000000 00000000		TESTR2(bit15-7, 1, 0:R bit6-2:R/W) B, H, W 00000000 r0000000 (r : indication the level on the CAN bus)		
02020C _H	BRPER2(bit15-4:R bit4-0:R/W) B, H, W 00000000 00000000		—		
020210 _H	IF1CREQ2(bit15, 7-0:R/W bit14-8:R) B, H, W 00000000 00000001		IF1CMSK2(bit15-8:R bit7-0:R/W) B, H, W 00000000 00000000		
020214 _H	IF1MSK22(R/W) B, H, W 11111111 11111111		IF1MSK12(R/W) B, H, W 11111111 11111111		
020218 _H	IF1ARB22(R/W) B, H, W 00000000 00000000		IF1ARB12(R/W) B, H, W 00000000 00000000		
02021C _H	IF1MCTR2(bit15-7, 3-0:R/W bit6-4:R) B, H, W 00000000 00000000		—		

(Continued)

MB91210 Series

(Continued)

Address	Register				Block
	+0	+1	+2	+3	
020220 _H	IF1DTA12(R/W) B, H, W 00000000 00000000		IF1DTA22(R/W) B, H, W 00000000 00000000		CAN Controller 2
020224 _H	IF1DTB12(R/W) B, H, W 00000000 00000000		IF1DTB22(R/W) B, H, W 00000000 00000000		
020228 _H to 02023C _H	—				Reserved
020240 _H	IF2CREQ2(bit15, 7-0:R/W bit14-8:R) B, H, W 00000000 00000001		IF2CMSK2(bit15-8:R bit7-0:R/W) B, H, W 00000000 00000000		CAN Controller 2
020244 _H	IF2MSK22(R/W) B, H, W 11111111 11111111		IF2MSK12(R/W) B, H, W 11111111 11111111		
020248 _H to 02024B _H	—				
02024C _H	IF2MCTR2(bit15-7, 3-0:R/W bit6-4:R) B, H, W 00000000 00000000		—		
020250 _H	IF2DTA12(R/W) B, H, W 00000000 00000000		IF2DTA22(R/W) B, H, W 00000000 00000000		
020254 _H	IF2DTB12(R/W) B, H, W 00000000 00000000		IF2DTB22(R/W) B, H, W 00000000 00000000		
020258 _H to 02027C _H	—				Reserved
020280 _H	TREQR22 (R) B, H, W 00000000 00000000		TREQR12 (R) B, H, W 00000000 00000000		CAN Controller 2
020284 _H to 02028C _H	—				Reserved
020290 _H	NEWDT22 (R) B, H, W 00000000 00000000		NEWDT12 (R) B, H, W 00000000 00000000		CAN Controller 2
020294 _H to 02029C _H	—				Reserved
0202A0 _H	INTPND22 (R) B, H, W 00000000 00000000		INTPND12 (R) B, H, W 00000000 00000000		CAN Controller 2
0202A4 _H to 0202AC _H	—				Reserved
0202B0 _H	MSGVAL22 (R) B, H, W 00000000 00000000		MSGVAL12 (R) B, H, W 00000000 00000000		CAN Controller 2

MB91210 Series

■ INTERRUPT VECTOR

Interrupt source	Interrupt number		Interrupt level	Offset	TBR default address
	Decimal	Hexadecimal			
Reset* ¹	0	00	—	3FC _H	000FFFFC _H
Mode vector* ¹	1	01	—	3F8 _H	000FFFF8 _H
System reserved	2	02	—	3F4 _H	000FFFF4 _H
System reserved	3	03	—	3F0 _H	000FFFF0 _H
System reserved	4	04	—	3EC _H	000FFFE4 _H
System reserved	5	05	—	3E8 _H	000FFFE8 _H
System reserved	6	06	—	3E4 _H	000FFFE4 _H
Coprocessor absent trap	7	07	—	3E0 _H	000FFFE0 _H
Coprocessor error trap	8	08	—	3DC _H	000FFFD4 _H
INTE instruction	9	09	—	3D8 _H	000FFFD8 _H
Instruction break exception	10	0A	—	3D4 _H	000FFFD4 _H
Operand break trap	11	0B	—	3D0 _H	000FFFD0 _H
Step trace trap	12	0C	—	3CC _H	000FFFC4 _H
NMI request (ICE)	13	0D	—	3C8 _H	000FFFC8 _H
Undefined instruction exception	14	0E	—	3C4 _H	000FFFC4 _H
NMI request	15	0F	15(F _H) Fixed	3C0 _H	000FFFC0 _H
External interrupt 0	16	10	ICR00	3BC _H	000FFFBC _H
External interrupt 1	17	11	ICR01	3B8 _H	000FFF8 _H
External interrupt 2	18	12	ICR02	3B4 _H	000FFF4 _H
External interrupt 3	19	13	ICR03	3B0 _H	000FFF0 _H
External interrupt 4	20	14	ICR04	3AC _H	000FFFA4 _H
External interrupt 5	21	15	ICR05	3A8 _H	000FFFA8 _H
External interrupt 6	22	16	ICR06	3A4 _H	000FFFA4 _H
External interrupt 7	23	17	ICR07	3A0 _H	000FFFA0 _H
Reload timer 0	24	18	ICR08	39C _H	000FFF9C _H
Reload timer 1	25	19	ICR09	398 _H	000FFF98 _H
Reload timer 2	26	1A	ICR10	394 _H	000FFF94 _H
Maskable interrupt source* ²	27	1B	ICR11	390 _H	000FFF90 _H
Maskable interrupt source* ²	28	1C	ICR12	38C _H	000FFF8C _H
Maskable interrupt source* ²	29	1D	ICR13	388 _H	000FFF88 _H
Maskable interrupt source* ²	30	1E	ICR14	384 _H	000FFF84 _H
Maskable interrupt source* ²	31	1F	ICR15	380 _H	000FFF80 _H
Maskable interrupt source* ²	32	20	ICR16	37C _H	000FFF7C _H
Maskable interrupt source* ²	33	21	ICR17	378 _H	000FFF78 _H
Maskable interrupt source* ²	34	22	ICR18	374 _H	000FFF74 _H
Maskable interrupt source* ²	35	23	ICR19	370 _H	000FFF70 _H

(Continued)

MB91210 Series

Interrupt source	Interrupt number		Interrupt level	Offset	TBR default address
	Decimal	Hexadecimal			
Maskable interrupt source*2	36	24	ICR20	36H	000FFF6CH
Maskable interrupt source*2	37	25	ICR21	368H	000FFF68H
Maskable interrupt source*2	38	26	ICR22	364H	000FFF64H
Maskable interrupt source*2	39	27	ICR23	360H	000FFF60H
Maskable interrupt source*2	40	28	ICR24	35CH	000FFF5CH
Maskable interrupt source*2	41	29	ICR25	358H	000FFF58H
Maskable interrupt source*2	42	2A	ICR26	354H	000FFF54H
Maskable interrupt source*2	43	2B	ICR27	350H	000FFF50H
Maskable interrupt source*2	44	2C	ICR28	34CH	000FFF4CH
Maskable interrupt source*2	45	2D	ICR29	348H	000FFF48H
Maskable interrupt source*2	46	2E	ICR30	344H	000FFF44H
Timebase timer overflow	47	2F	ICR31	340H	000FFF40H
Maskable interrupt source*2	48	30	ICR32	33CH	000FFF3CH
Maskable interrupt source*2	49	31	ICR33	338H	000FFF38H
Maskable interrupt source*2	50	32	ICR34	334H	000FFF34H
Maskable interrupt source*2	51	33	ICR35	330H	000FFF30H
Maskable interrupt source*2	52	34	ICR36	32CH	000FFF2CH
Maskable interrupt source*2	53	35	ICR37	328H	000FFF28H
Maskable interrupt source*2	54	36	ICR38	324H	000FFF24H
Maskable interrupt source*2	55	37	ICR39	320H	000FFF20H
Maskable interrupt source*2	56	38	ICR40	31CH	000FFF1CH
Maskable interrupt source*2	57	39	ICR41	318H	000FFF18H
Maskable interrupt source*2	58	3A	ICR42	314H	000FFF14H
Maskable interrupt source*2	59	3B	ICR43	310H	000FFF10H
Maskable interrupt source*2	60	3C	ICR44	30CH	000FFF0CH
Maskable interrupt source*2	61	3D	ICR45	308H	000FFF08H
Maskable interrupt source*2	62	3E	ICR46	304H	000FFF04H
Delay interrupt source bit	63	3F	ICR47	300H	000FFF00H
System reserved (Used by REALOS)	64	40	—	2FC _H	000FFEFC _H
System reserved (Used by REALOS)	65	41	—	2F8 _H	000FFE8 _H
System reserved	66	42	—	2F4 _H	000FFE4 _H
System reserved	67	43	—	2F0 _H	000FFE0 _H
System reserved	68	44	—	2EC _H	000FEEC _H
System reserved	69	45	—	2E8 _H	000FEE8 _H
System reserved	70	46	—	2E4 _H	000FEE4 _H
System reserved	71	47	—	2E0 _H	000FEE0 _H

(Continued)

MB91210 Series

(Continued)

Interrupt source	Interrupt number		Interrupt level	Offset	TBR default address
	Decimal	Hexadecimal			
System reserved	72	48	—	2DC _H	000FFEDC _H
System reserved	73	49	—	2D8 _H	000FFED8 _H
System reserved	74	4A	—	2D4 _H	000FFED4 _H
System reserved	75	4B	—	2D0 _H	000FFED0 _H
System reserved	76	4C	—	2CC _H	000FFECC _H
System reserved	77	4D	—	2C8 _H	000FFEC8 _H
System reserved	78	4E	—	2C4 _H	000FFEC4 _H
System reserved	79	4F	—	2C0 _H	000FFEC0 _H
Used in INT instruction	80 to 255	50 to FF	—	2BC _H to 000 _H	000FFEBCH to 000FFC00 _H

*1: Even though the TBR value is changed, fixed addresses, 000FFFFC_H and 000FFF8_H, are always used for the reset vector and the mode vector.

*2: The maskable interrupt source is defined for each model.

■ PIN STATUS IN EACH CPU STATE

Terms used as the status of pins mean as follows.

- Input enabled
Indicates that the input function can be used.
- Output Hi-Z
Means the placing of a pin in a high impedance state by preventing the transistor for driving the pin from driving.
- Output maintained
Indicates the output in the output state existing immediately before this mode is established. If the device enters this mode with an internal output peripheral operating or while serving as an output port, the output is performed by the internal peripheral or the port output is maintained, respectively.
- State existing immediately before is maintained.
When the device serves for output or input immediately before entering this mode, the device maintains the output or is ready for the input, respectively.

MB91210 Series

TABLE OF PIN STATUS IN EACH MODE

• Single chip mode

Pin name	Function name	Initial value		In sleep state	In stop state	
		INITX = "L"	INITX = "H"		HIZ = 0	HIZ = 1
INITX	INITX	Input enabled	Input enabled	Input enabled	Input enabled	Input enabled
X0	X0				Hi-Z or input enabled	Hi-Z or input enabled
X1	X1				"H" output or input enabled	"H" output or input enabled
X0A	X0A				Hi-Z or input enabled	Hi-Z or input enabled
X1A	X1A				"H" output or input enabled	"H" output or input enabled
MD0	MD0				Input enabled	Input enabled
MD1	MD1					
MD2	MD2					
MD3	MD3					
P00	P00/SIN5/INT8R	Output Hi-Z input enabled	Output Hi-Z input enabled	P : Immediately preceding status held F : Normal operation performed	P : Immediately preceding status held F : Output held or Hi-Z , input enabled	Output Hi-Z/ selecting interrupt function, and input enabled when interrupt is allowed during ENIR internal input held
P01	P01/SOT5/INT9R					
P02	P02/SCK5/INT10R					
P03	P03/SIN6/INT11R					
P04	P04/SOT6/INT12R					
P05	P05/SCK6/INT13R					
P06	P06/OUT4/INT14R					
P07	P07/OUT5/INT15R					
P10	P10/TIN1					Output Hi-Z internal input held
P11	P11/TOT1					
P12	P12/SIN3					
P13	P13/SOT3					
P14	P14/SCK3					
P15	P15/SIN4					
P16	P16/SOT4					
P17	P17/SCK4					
P20 to P27	P20 to P27/ PPG0, 2, 4, 6, 8, A, C, E					

(Continued)

MB91210 Series

Pin name	Function name	Initial value		In sleep state	In stop state	
		INITX = "L"	INITX = "H"		HIZ = 0	HIZ = 1
P30	P30/ (RX2) / (INT10C)	Output Hi-Z input enabled	Output Hi-Z input enabled	P : Immediately preceding status held F : Normal operation performed	P : Immediately preceding status held F : Output held or Hi-Z , input enabled	Output Hi-Z/ selecting interrupt function, and input enabled when interrupt is allowed during ENIR internal input held
P31	P31/ (TX2)					Output Hi-Z internal input held
P32	P32/INT10					Output Hi-Z/ selecting interrupt function, and input enabled when interrupt is allowed during ENIR internal input held
P33 to P37	P33 to P37/ INT11 to INT15					Output Hi-Z internal input held
P40 to P43	P40 to P43/ PPG9, B, D, F					Output Hi-Z internal input held
P44 to P47	P44 to P47/ IN0 to IN3					
P50 to P53	P50 to P53/ PPG1, 3, 5, 7					
P54	P54/IN4					
P55	P55/IN5					
P56	P56/IN6					
P57	P57/IN7					
P60	P60/OUT6					
P61	P61/OUT7					
P62	P62					
P63	P63					
P64	P64					
P70	P70/RX0/INT8	Output Hi-Z/ selecting interrupt function, and input enabled when interrupt is allowed during ENIR internal input held				
P71	P71/TX0	Output Hi-Z internal input held				

(Continued)

MB91210 Series

Pin name	Function name	Initial value		In sleep state	In stop state	
		INITX = "L"	INITX = "H"		HIZ = 0	HIZ = 1
P72	P72/RX1/INT9	Output Hi-Z input enabled	Output Hi-Z input enabled	P : Immediately preceding status held F : Normal operation performed	P : Immediately preceding status held F : Output held or Hi-Z , input enabled	Output Hi-Z/ selecting interrupt function, and input enabled when interrupt is allowed during ENIR internal input held
P73	P73/TX1					
P74 to P77	P74 to P77/ OUT0 to OUT3					
P80 to P83	P80 to P83/ FRCK0 to FRCK3					
P84	P84/TIN2					
P85	P85/TOT2					
P90 to P97	P90 to P97/PPG0R, 2R, ER/AN0 to AN7					
PA0	PA0/SIN2R/AN8					
PA1	PA1/SOT2R/AN9					
PA2	PA2/SCK2R/AN10					
PA3 to PA7	PA3 to PA7/ AN11 to AN15					
PB0 to PB7	PB0 to PB7/ INT0R to INT7R/ AN16 to AN23					
PC0 to PC7	PC0 to PC7/ AN24 to AN31					Output Hi-Z internal input held

(Continued)

(Continued)

Pin name	Function name	Initial value		In sleep state	In stop state	
		INITX = "L"	INITX = "H"		HIZ = 0	HIZ = 1
PD0	PD0/TIN0/ATGX	Output Hi-Z input enabled	Output Hi-Z input enabled	P : Immediately preceding status held F : Normal operation performed	P : Immediately preceding status held F : Output held or Hi-Z , input enabled	Output Hi-Z internal input held
PD1	PD1/TOT0					
PD2	PD2/SIN0					
PD3	PD3/SOT0					
PD4	PD4/SCK0					
PD5	PD5/SIN1					
PD6	PD6/SOT1					
PD7	PD7/SCK1					
PE0	PE0/SIN2					
PE1	PE1/SOT2					
PE2	PE2/SCK2	Output Hi-Z/ selecting interrupt function, and input enabled when interrupt is allowed during ENIR internal input held				
PF0 to PF7	PF0 to PF7/ INT0 to INT7					

MB91210 Series

■ ELECTRICAL CHARACTERISTICS

1. Absolute Maximum Ratings

Parameter	Symbol	Rating		Unit	Remarks
		Min	Max		
Power supply voltage	V_{CC}	$V_{SS} - 0.3$	$V_{SS} + 6.0$	V	
	AV_{CC}	$V_{SS} - 0.3$	$V_{SS} + 6.0$	V	$AV_{CC} = V_{CC}^{*1}$
	AV_{RH}	$V_{SS} - 0.3$	$V_{SS} + 6.0$	V	$AV_{CC} \geq AV_{RH}$
Input voltage	V_I	$V_{SS} - 0.3$	$V_{CC} + 0.3$	V	
Output voltage	V_O	$V_{SS} - 0.3$	$V_{CC} + 0.3$	V	
Maximum clamp current	I_{CLAMP}	- 2.0	+ 2.0	mA	*5
Total maximum clamp current	ΣI_{CLAMP}	—	20	mA	*5
“L” level maximum output current*2	I_{OL1}	—	8	mA	
“L” level average output current*3	I_{OLAV1}	—	2	mA	
“L” level total maximum output current	ΣI_{OL1}	—	64	mA	
“L” level total average output current*4	ΣI_{OLAV1}	—	25	mA	
“H” level maximum output current*2	I_{OH1}	—	- 8	mA	
“H” level average output current*3	I_{OHAV1}	—	- 2	mA	
“H” level total maximum output current	ΣI_{OH1}	—	- 64	mA	
“H” level total average output current*4	ΣI_{OHAV1}	—	- 25	mA	
Power consumption	P_D	—	500	mW	
Operating temperature	T_A	- 40	+ 105	°C	Single-chip mode
Storage temperature	T_{stg}	- 55	+ 150	°C	

*1: Caution must be taken that AV_{CC} does not exceed V_{CC} upon power-on and under other circumstances.

*2: The maximum output current defines the peak current value of each of the corresponding pins.

*3: The average output current defines the average value of the current (100 ms) which passes through each of the corresponding pins. The average value represents a value calculated by multiplying the operating current by the operating rate.

*4: The total average output current defines the average value of the current (100 ms) which passes through all the corresponding pins. The average value represents a value calculated by multiplying the operating current by the operating rate.

*5: • Corresponding pins : P00 to P07, P10 to P17, P20 to P27, P30 to P37, P40 to P47, P50 to P57, P60 to P64, P70 to P77, P80 to P85, P90 to P97, PA0 to PA7, PB0 to PB7, PC0 to PC7, PD0 to PD7, PE0 to PE2, PF0 to PF7

• Use within recommended operating conditions.

• Use at DC voltage (current).

• The + B signal should always be applied a limiting resistor placed between the + B signal and the microcontroller.

• The value of the limiting resistor should be set so that when the + B signal is applied the input current to the microcontroller pin does not exceed rated values, either instantaneously or for prolonged periods.

• Note that, when the microcontroller drive current is low as in low power consumption mode, the + B input potential can increase the potential at the VCC pin via a protection diode, possibly affecting other devices.

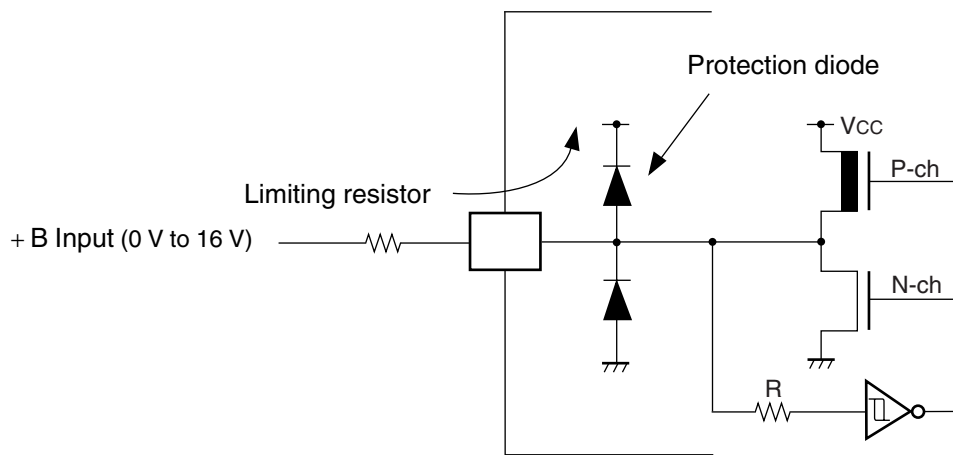
(Continued)

(Continued)

- Note that, if the + B input exists when the microcontroller is off (not fixed at 0 V), power is supplied through the pin, possibly causing the microcontroller to operate imperfectly.
Note that, if the + B input exists when the power supply is turned on, power is supplied through the pin, possibly resulting in a power-supply voltage at which a power-on reset does not work.
- Be careful not to let the + B input pin open.
- Note that the analog I/O pins (such as the LCD drive and comparator input pins) other than the A/D input pin cannot input + B.

• Recommended example circuit

- Input/output equivalent circuits



WARNING: Semiconductor devices can be permanently damaged by application of stress (voltage, current, temperature, etc.) in excess of absolute maximum ratings. Do not exceed these ratings.

MB91210 Series

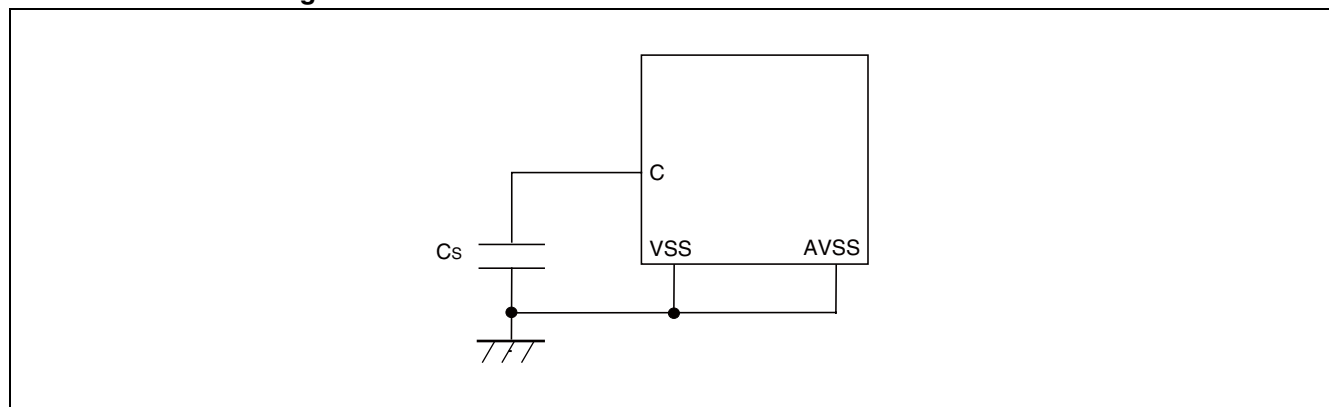
2. Recommended operation condition

($V_{SS}=AV_{SS}=0.0$ V)

Parameter	Symbol	Value		Unit	Remarks
		Min	Max		
Power supply voltage	V_{CC} AV_{CC}	3.5	5.5	V	Normal operation
	V_{CC}	3.0	5.5	V	RAM data retention at STOP operation
Smoothing capacitor*	C_S	1 (within tolerance $\pm 50\%$)		μF	Use a ceramic capacitor or a capacitor with similar frequency characteristics. Use a bypass capacitor for the V_{CC} pin, which has larger than C_S .
Operating temperature	T_A	- 40	+ 105	$^{\circ}C$	Single-chip mode

* : For how to connect the smoothing capacitor C_S , see the figure below.

• C Pin Connection Diagram



WARNING: The recommended operating conditions are required in order to ensure the normal operation of the semiconductor device. All of the device's electrical characteristics are warranted when the device is operated within these ranges.

Always use semiconductor devices within their recommended operating condition ranges. Operation outside these ranges may adversely affect reliability and could result in device failure.

No warranty is made with respect to uses, operating conditions, or combinations not represented on the data sheet. Users considering application outside the listed conditions are advised to contact their FUJITSU representatives beforehand.

3. DC Specifications

(T_A: Recommended operating conditions; V_{CC} = 5.0 V ±10%, V_{SS} = AV_{SS} = 0.0 V)

Parameter	Symbol	Pin name	Condition	Value			Unit	Remarks
				Min	Typ	Max		
“H” level input voltage	V _{IHS}	—	—	0.8 × V _{CC}	—	V _{CC} + 0.3	V	CMOS automotive input
	V _{IHC}	—	—	0.7 × V _{CC}	—	V _{CC} + 0.3	V	CMOS Schmitt input
	V _{IHM}	MD0 to MD3	—	V _{CC} - 0.3	—	V _{CC} + 0.3	V	
	V _{IHI}	INITX	—	0.8 × V _{CC}	—	V _{CC} + 0.3	V	
“L” level input voltage	V _{ILS}	—	—	V _{SS} - 0.3	—	0.5 × V _{CC}	V	CMOS automotive input
	V _{ILC}	—	—	V _{SS} - 0.3	—	0.3 × V _{CC}	V	CMOS Schmitt input
	V _{ILM}	MD0 to MD3	—	V _{SS} - 0.3	—	V _{SS} + 0.3	V	
	V _{ILI}	INITX	—	V _{SS} - 0.3	—	0.2 × V _{CC}	V	
Power supply current	I _{CC}	VCC	*1	—	40	60	mA	Normal operation *7
			—	—	2	3	mA	PLL stop operation (2 MHz)
	I _{CCS}	VCC	*2	—	28	42	mA	SLEEP operation *7
	I _{CCCL}	VCC	*3	—	150	300	μA	Sub-operation *7
	I _{CCR32}	VCC	*4	—	80	200	μA	32 kHz clock operation
	I _{CCR4}	VCC	*5	—	800	1200	μA	4 MHz clock operation
	I _{CCCH}	VCC	*6	—	70	150	μA	STOP
Input leakage current	I _{IL}	—	—	-5	—	+5	μA	All input pins
Input capacity	C _{IN}	—	—	—	5	15	pF	
Pull-up resistance	R _{UP}	—	—	25	50	100	kΩ	All ports and INITX
Pull-down resistance	R _{DOWN}	—	—	25	50	100	kΩ	Exclusive of all Flash memory product
Output H voltage	V _{OH}	—	I _{OH} = -2 mA	V _{CC} - 0.5	—	—	V	All ports
Output L voltage	V _{OL}	—	I _{OL} = 2 mA	—	—	0.4	V	All ports

*1 : CLKB = 40 MHz, CLKP = 20 MHz, CLKT = 10 MHz, CANCLK = 10 MHz

*2 : Under *2, CPU stopped.

*3 : CLKB = CLKP = CLKT = CANCLK = 32 kHz, T_A = +25 °C

*4 : CPU/peripheral circuit operation stopped, main oscillation stopped, 32 kHz clock operation, T_A = +25 °C

*5 : CPU/peripheral circuit operation stopped, sub-oscillation stopped, 4 kHz clock operation, T_A = +25 °C

*6 : CPU/peripheral circuit operation stopped, all oscillation circuits stopped, T_A = +25 °C

*7 : The current consumption in normal operation/SLEEP mode, is the value at the maximum operation of the peripheral circuit.

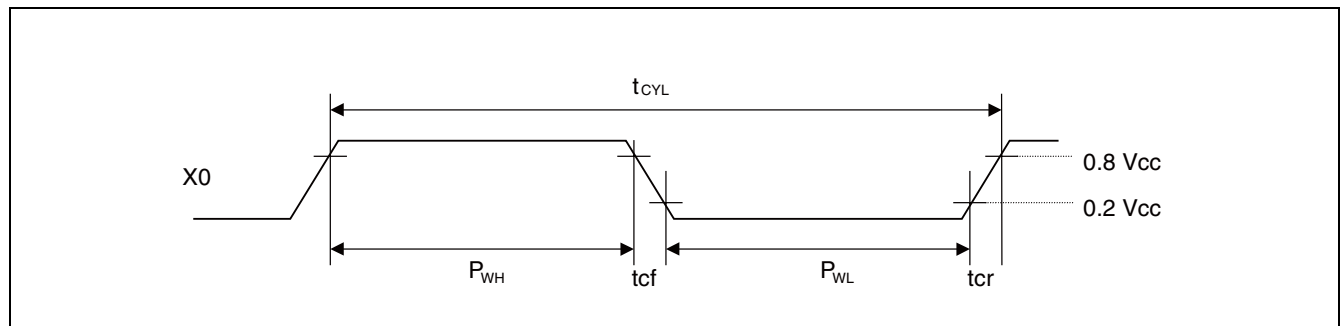
MB91210 Series

4. AC Specifications

(1) Clock timing

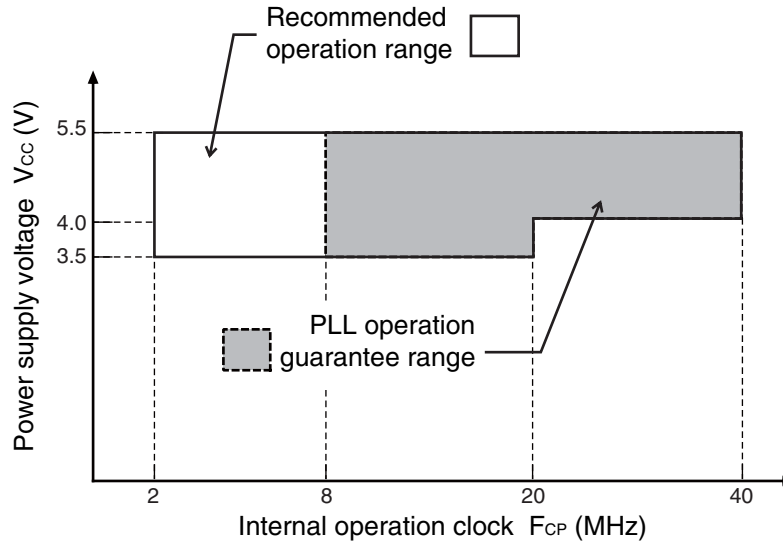
(T_A: Recommended operating conditions; V_{CC} = 5.0 V ±10%, V_{SS} = AV_{SS} = 0.0 V)

Parameter	Symbol	Pin name	Condition	Value			Unit	Remarks
				Min	Typ	Max		
Frequency of source oscillation clock	F _C	X0, X1	—	—	4	16	MHz	
	F _{CA}	X0A, X1A		—	32.768	100	kHz	MB91F213
				—	32.768	—	kHz	MB91F211
Source oscillation clock cycle time	t _{CYL}	X0, X1	—	62.5	250	—	ns	
	t _{CYLL}	X0A, X1A		10	30.5	—	μs	
Input clock pulse width	P _{WH} , P _{WL}	X0	—	30	—	—	ns	The duty ration normally ranges from 40% to 60%.
Input clock rise/fall time	t _{cr} , t _{cf}	X0	—	—	—	5	ns	When external clock is used
Frequency of internal clock operation	F _{CP}	—	—	—	—	40	MHz	When main clock and PLL clock is used.
Internal operation clock cycle time	t _{CP}	—	—	25	—	—	ns	When main clock and PLL clock is used.



• Operation guarantee range

Relation between internal operation clock frequency and power supply voltage



Note : PLL operation stabilizing wait time should be set to 500 μ s or more.

Relation between oscillation clock frequency and internal operation clock (example)

Source oscillation (4 MHz)

Divider	1/2	1/4	1/8
Multiplier	F _{CP}	F _{CP}	F _{CP}
1	–	–	–
2	–	–	8 MHz
4	–	16 MHz	16 MHz
6	–	24 MHz	–
8	32 MHz	32 MHz	–
10	40 MHz	–	–

Source oscillation (5 MHz)

Divider	1/2	1/4	1/8
Multiplier	F _{CP}	F _{CP}	F _{CP}
1	–	–	–
2	–	–	10 MHz
4	–	20 MHz	–
6	–	30 MHz	–
8	40 MHz	–	–
10	–	–	–

Source oscillation (10 MHz)

Divider	1/2	1/4	1/8
Multiplier	F _{CP}	F _{CP}	F _{CP}
1	–	–	10 MHz
2	–	20 MHz	–
4	40 MHz	–	–
6	–	–	–
8	–	–	–
10	–	–	–

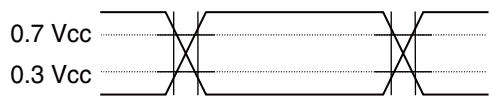
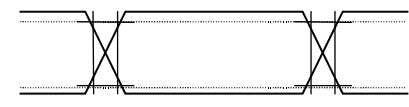
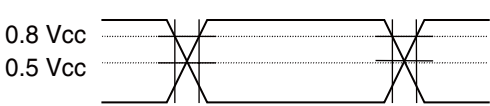
Source oscillation (16 MHz)

Divider	1/2	1/4	1/8
Multiplier	F _{CP}	F _{CP}	F _{CP}
1	–	16 MHz	16 MHz
2	32 MHz	32 MHz	–
4	–	–	–
6	–	–	–
8	–	–	–
10	–	–	–

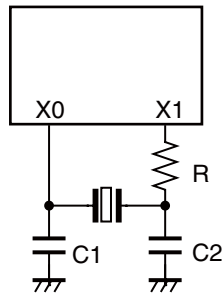
–: Prohibited

MB91210 Series

AC specifications are defined by the following measurement standard voltage values:

Input signal waveform	Output signal waveform
<p>Hysteresis input pin</p>  <p>0.7 Vcc 0.3 Vcc</p>	<p>Output pin</p>  <p>4.6 V 0.4 V</p>
<p>Hysteresis input pin (Automotive)</p>  <p>0.8 Vcc 0.5 Vcc</p>	

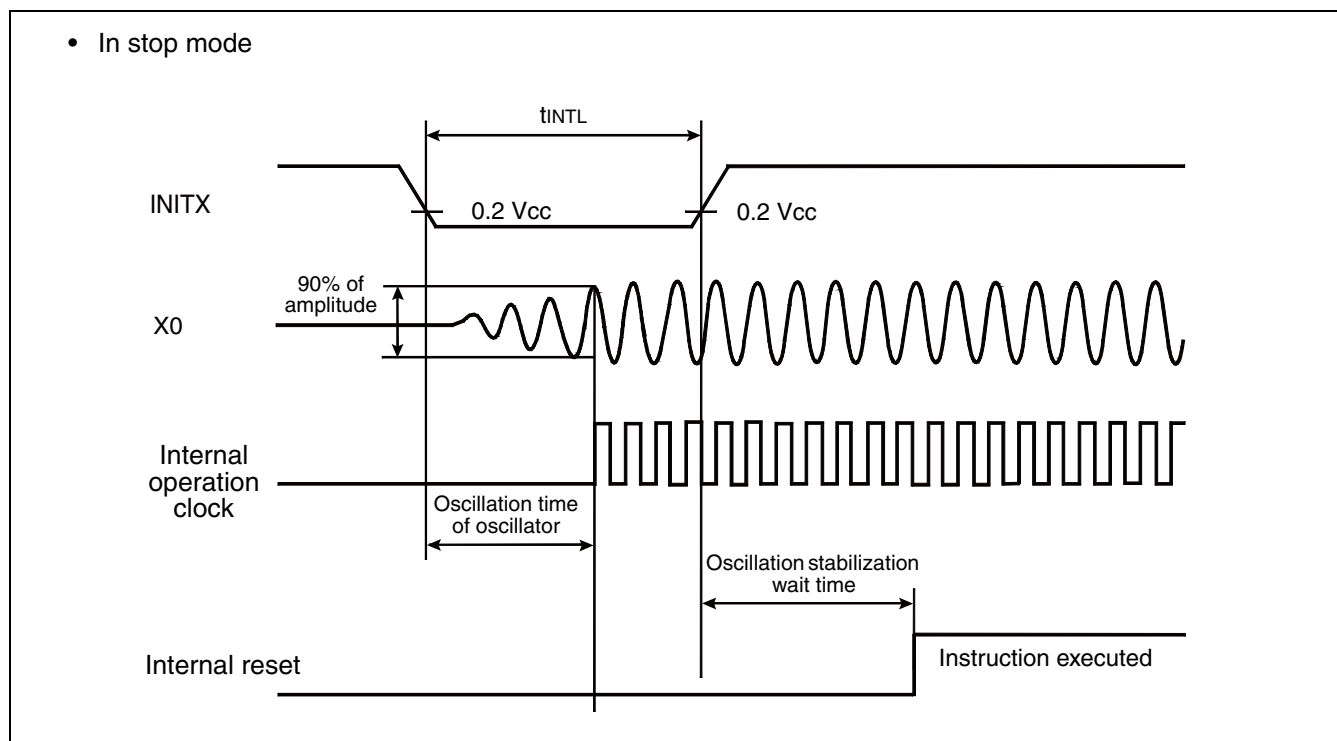
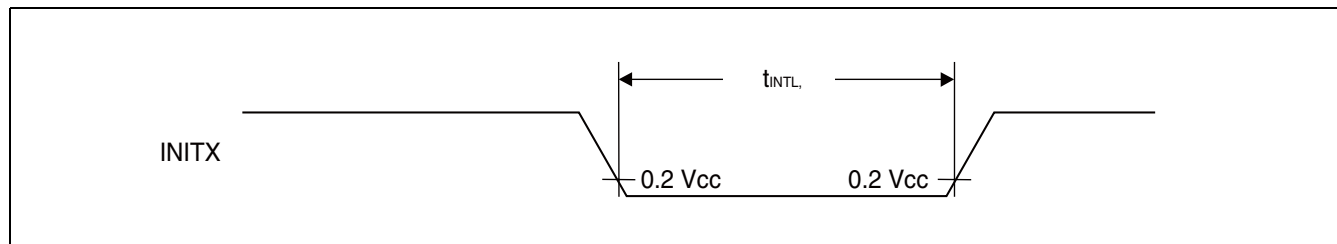
Example oscillation circuit



(2) Reset input

(T_A: Recommended operating conditions; V_{CC} = 5.0 V ± 10%, V_{SS} = AV_{SS} = 0.0 V)

Parameter	Symbol	Pin name	Condition	Value		Unit	Remarks
				Min	Max		
INITX input time	t _{INTL}	INITX	—	500	—	ns	Upon power-on and in stop mode
				2 ¹⁷ × t _{CYL}	—	ms	



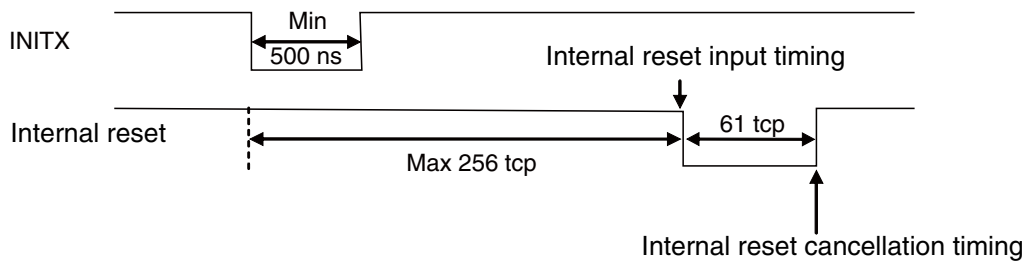
MB91210 Series

[External reset input specifications (INITX) and internal reset signal cancellation timing]

- When an external reset input is generated, a maximum of 256 tcp is designed to be spent until it reaches the internal reset signal to transmit all reset signals to the internal logic.
(Max 8 μ s at 32 MHz)
- The following chart shows how to set the timing for instruction execution start (start of application operation) after external reset input.

Time from external reset input to instruction start = Max 256 tcp + 61 tcp

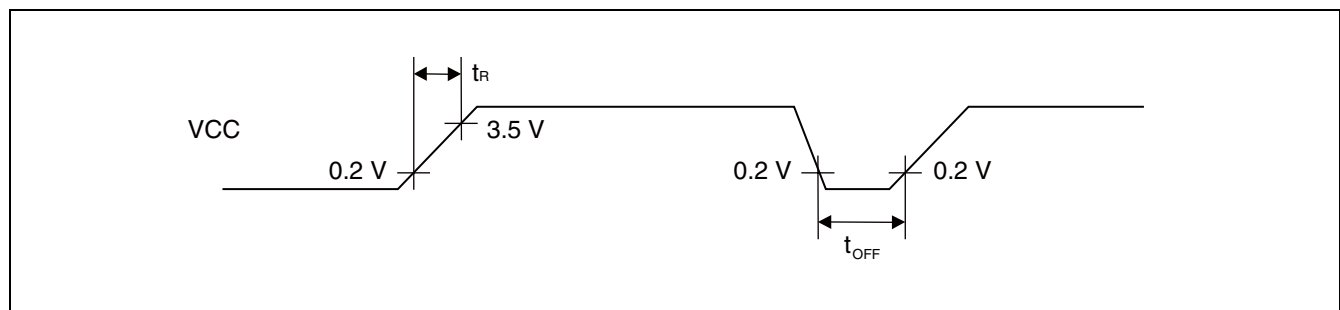
• Timing Chart



(3) Power-on Conditions

(T_A : Recommended operating conditions; $V_{SS} = 0.0\text{ V}$)

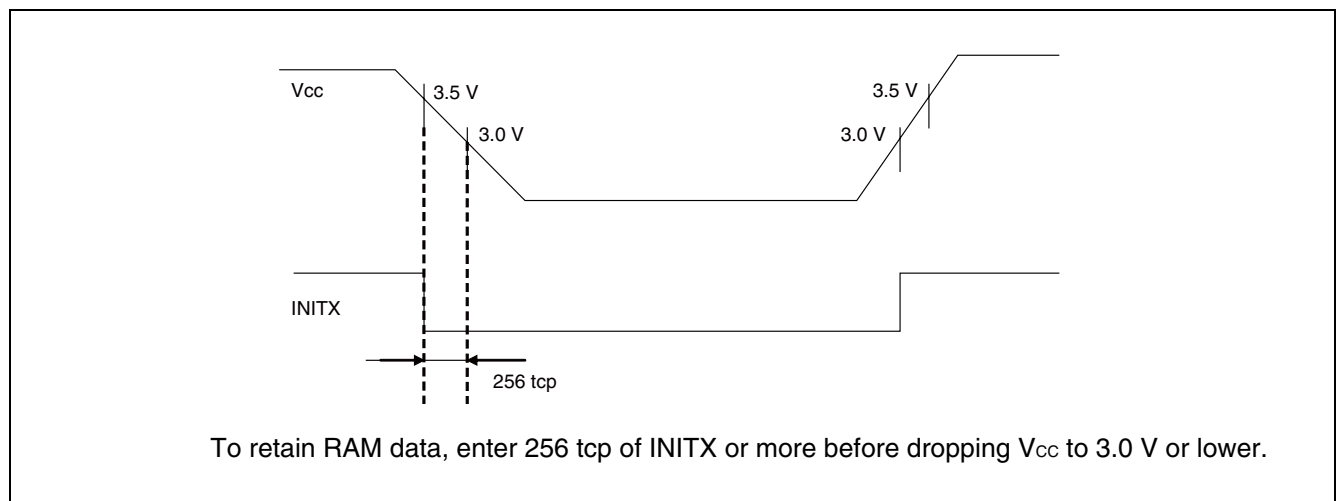
Parameter	Symbol	Pin name	Condition	Value		Unit	Remarks
				Min	Max		
Power supply rising time	t_R	VCC	—	0.05	30	ms	—
Power supply start voltage	V_{OFF}			—	0.2	V	—
Power supply peak voltage	V_{ON}			3.5	—	V	—
Power supply cut-off time	t_{OFF}			50	—	ms	Due to repetitive operation



(4) Power supply drop time, power supply voltages and external reset input to retain RAM data.

Satisfy the following reset input standard to retain the RAM data used in the single chip mode.

$V_{CC}(V)$	Voltage drop time	External reset input standard (INITX)
3.5 V → 3.0 V dropped	Min 256 tcp	Min 256 tcp



MB91210 Series

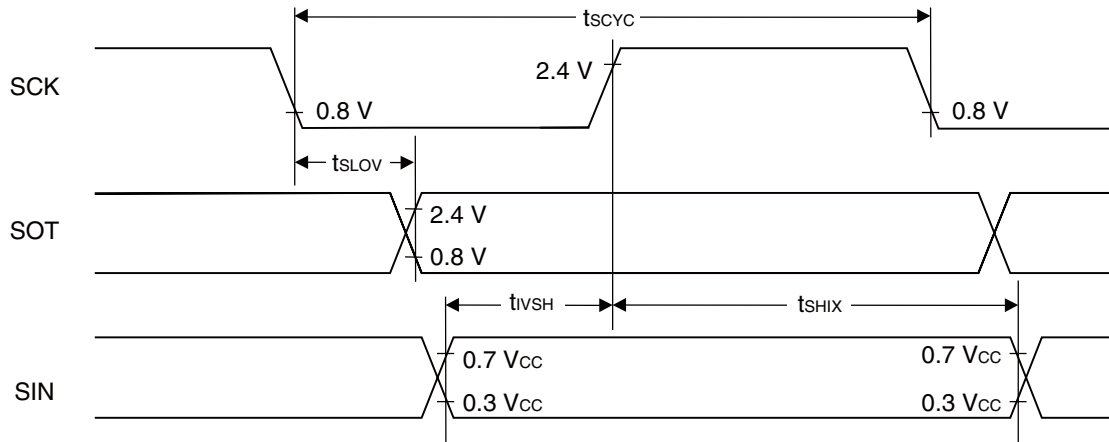
(5) UART Timing

(T_A: Recommended operating conditions; V_{CC} = 5.0 V ± 10%, V_{SS} = AV_{SS} = 0.0 V)

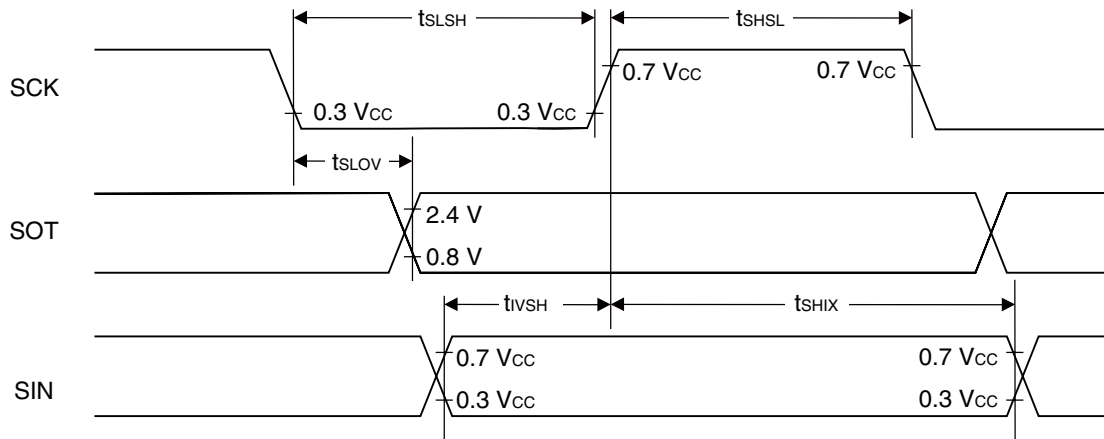
Parameter	Symbol	Pin name	Condition	Value		Unit	Remarks
				Min	Max		
Serial clock cycle time	t _{SCYC}	SCK	Output pin, C _L = 30 pF + 1 × TTL	8 t _{CP}	—	ns	For internal shift clock mode
SCK ↓ → SOT delay time	t _{SLOV}	SCK SOT		- 80	+ 80	ns	
Valid SIN → SCK ↑	t _{IVSH}	SCK SIN		100	—	ns	
SCK ↑ → Valid SIN hold time	t _{SHIX}			60	—	ns	
Serial clock "H" pulse width	t _{SHSL}	SCK	Output pin, C _L = 30 pF + 1 × TTL	4 t _{CP}	—	ns	For external shift clock mode
Serial clock "L" pulse width	t _{LSLH}			4 t _{CP}	—	ns	
SCK ↓ → SOT delay time	t _{SLOV}	SCK SOT		—	150	ns	
Valid SIN → SCK ↑	t _{IVSH}	SCK SIN		60	—	ns	
SCK ↑ → Valid SIN hold time	t _{SHIX}			60	—	ns	

Note: These are AC characteristics for CLK synchronous mode.
C_L is a load capacitance connected to pins during testing.

- For internal shift clock mode



- For external shift clock mode



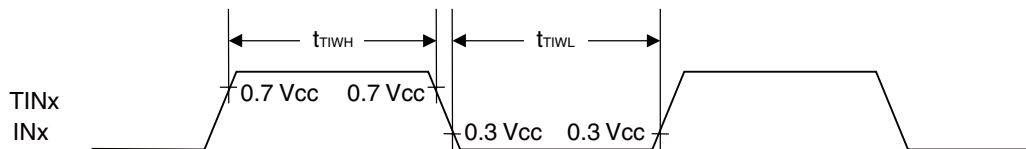
MB91210 Series

(6) Timer Input Timing

(T_A: Recommended operating conditions; V_{CC} = 5.0 V ± 10%, V_{SS} = AV_{SS} = 0.0 V)

Parameter	Symbol	Pin name	Condition	Value		Unit
				Min	Max	
Input pulse width	t _{TIWH} t _{TIWL}	TIN0 to TIN2 IN0 to IN7	—	4 t _{CP}	—	ns

• Timer Input Timing

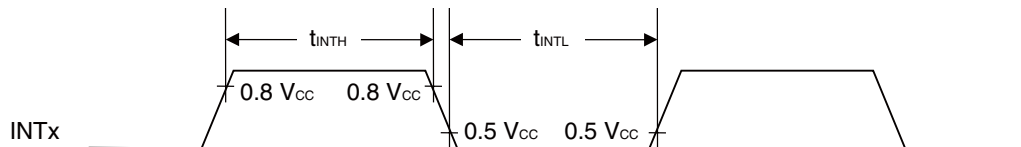


(7) External Interrupt Timing

(T_A: Recommended operating conditions; V_{CC} = 5.0 V ± 10%, V_{SS} = AV_{SS} = 0.0 V)

Parameter	Symbol	Pin name	Condition	Value		Unit
				Min	Max	
Input pulse width	t _{INTH} , t _{INTL}	INT0 to INT15	—	3 t _{CP}	—	ns

• External Interrupt Input Timing



5. Flash Memory Write/Erase Characteristics

Parameter	Condition	Value			Unit	Remarks
		Min	Typ	Max		
Sector erase time	$T_{A=+25\text{ }^{\circ}\text{C}}$, $V_{CC}=5.0\text{ V}$	—	0.5	2.0	s	Exclusive of internal write time prior to erase
Word write time	$T_{A=+25\text{ }^{\circ}\text{C}}$ $V_{CC}=5.0\text{ V}$	—	6	100	μs	Exclusive of overhead time at system level
Chip write time	$T_{A=+25\text{ }^{\circ}\text{C}}$, $V_{CC}=5.0\text{ V}$	—	3.4	56	s	Exclusive of overhead time at system level
Erase/write cycle	—	10000	—	—	cycle	
Data retention time	Average $T_{A=+85\text{ }^{\circ}\text{C}}$	20*	—	—	year	

*: This value comes from the technology qualification (using Arrhenius equation to translate high temperature measurements into normalized value at + 85 °C).

MB91210 Series

6. A/D Converter Electrical Characteristics

(T_A : Recommended operating conditions; V_{CC} = 3.5 V to 5.5 V, V_{SS} = AV_{SS} = 0.0 V)

Parameter	Symbol	Pin name	Value			Unit	Remarks
			Min	Typ	Max		
Resolution	—	—	—	—	10	bit	
Total error	—	—	—	—	± 3.0	LSB	
Non-linear error	—	—	—	—	± 2.5	LSB	
Differential linearity error	—	—	—	—	± 1.9	LSB	
Zero transition voltage	V _{OT}	AN0 to AN31	AV _{SS} – 1.5LSB	AV _{SS} + 0.5LSB	AV _{SS} + 2.5LSB	V	1LSB = (AVRH-AV _{SS})/1024
Full-scale transition voltage	V _{FST}	AN0 to AN31	AVRH – 3.5LSB	AVRH – 1.5LSB	AVRH + 0.5LSB	V	
Sampling time	t _{SMP}	—	1.1	—	—	μs	V _{CC} = AV _{CC} = 4.5 V to 5.5 V*1
			1.65	—	—	μs	V _{CC} = AV _{CC} = 3.5 V to 4.5 V*5
Compare time	t _{CMP}	—	1.1	—	—	μs	V _{CC} = AV _{CC} = 4.5 V to 5.5 V*2
			2.2	—	—	μs	V _{CC} = AV _{CC} = 3.5 V to 4.5 V*6
A/D conversion time	t _{CNV}	—	2.2	—	—	μs	V _{CC} = AV _{CC} = 4.5 V to 5.5 V*3
			3.85	—	—	μs	V _{CC} = AV _{CC} = 3.5 V to 4.5 V*7
Analog port input current	I _{AIN}	AN0 to AN31	—	—	10	μA	V _{AVSS} ≤ V _{AIN} ≤ V _{AVCC}
Analog input voltage	V _{AIN}	AN0 to AN31	0	—	AVRH	V	
Standard voltage	AVRH	AVRH	4.0	—	AV _{CC}	V	
Power supply current	I _A	AVCC	—	2.4	4.7	mA	
	I _{AH}		—	—	5	μA	*4
Standard voltage supply current	I _R	AVRH	—	600	900	μA	V _{AVRH} = 5.0 V
	I _{RH}		—	—	5	μA	*4
Variation between channels	—	AN0 to AN31	—	—	4	LSB	

*1 : When F_{CP} is 40 MHz : t_{SMP} = (R_{ext} + R_{in}) × C_{in} × 7 = ST × CLKP cycle = 2 Ah × 25 ns = 1.1 μs

*2 : When F_{CP} is 40 MHz : t_{CMP} = CKIN × 11 = CT × CLKP cycle × 11 = 4 h × 25 ns × 11 = 1.1 μs

*3 : This represents the conversion time per channel when t_{SMP} and t_{CMP} are selected while F_{CP} is 40 MHz.

(Continued)

(Continued)

*4: This defines the power supply current when the A/D converter is not in operation and the CPU is stopped (at “ $V_{CC} = AV_{CC} = AVRH = 5.0\text{ V}$ ”)

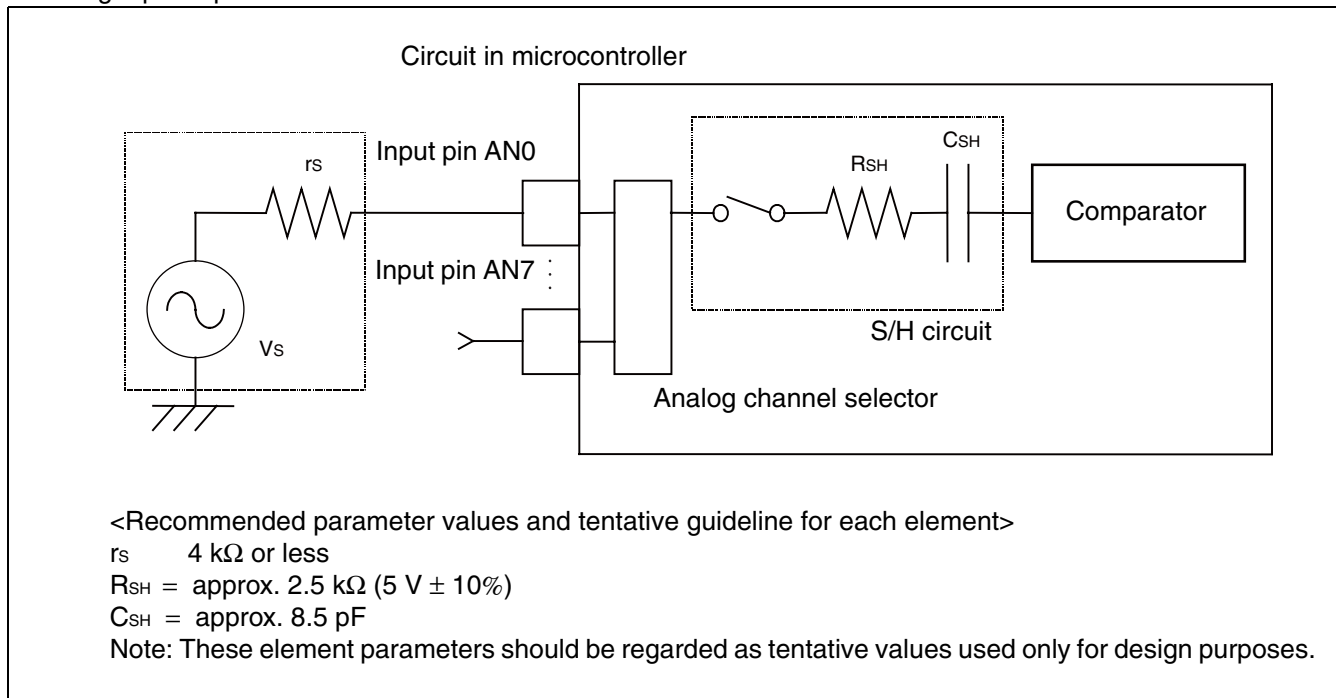
*5 : When F_{CP} is 20 MHz : $t_{SMP} = (R_{ext} + R_{in}) \times C_{in} \times 7 = ST \times CLKP\text{ cycle} = 21h \times 50\text{ ns} = 1.65\text{ }\mu\text{s}$.

*6 : When F_{CP} is 20 MHz : $t_{CMP} = CKIN \times 11 = CT \times CLKP\text{ cycle} \times 11 = 4\text{ h} \times 50\text{ ns} \times 11 = 2.2\text{ }\mu\text{s}$.

*7 : This represents the conversion time per channel when t_{SMP} and t_{CMP} are selected while F_{CP} is 20 MHz.

- Notes:
- As AVRH becomes smaller, the error becomes greater.
 - Use the output impedance r_s of the external circuit for analog input under the following conditions :
Output impedance r_s of the external circuit = 4 k Ω (Max)
 - If the output impedance of the external circuit is too high, the sampling time of the analog voltage may not be sufficient.
 - When placing a DC blocking capacitor between the external circuit and input pin, set the capacitance to the value calculated by multiplying C_{SH} by several thousands as a guideline in order to minimize the impact from dividing voltage capacitance with C_{SH} .

• Analog Input Equivalent Circuit



MB91210 Series

■ TERM DEFINITIONS

Resolution

Level of analog variation that can be distinguished by the A/D converter.
 When the number of bits is 10, the analog voltage can be resolved into $2^{10} = 1024$.

Total error

Difference between actual and theoretical values, which is a total value derived from an offset error, gain error, non-linearity error and noise.

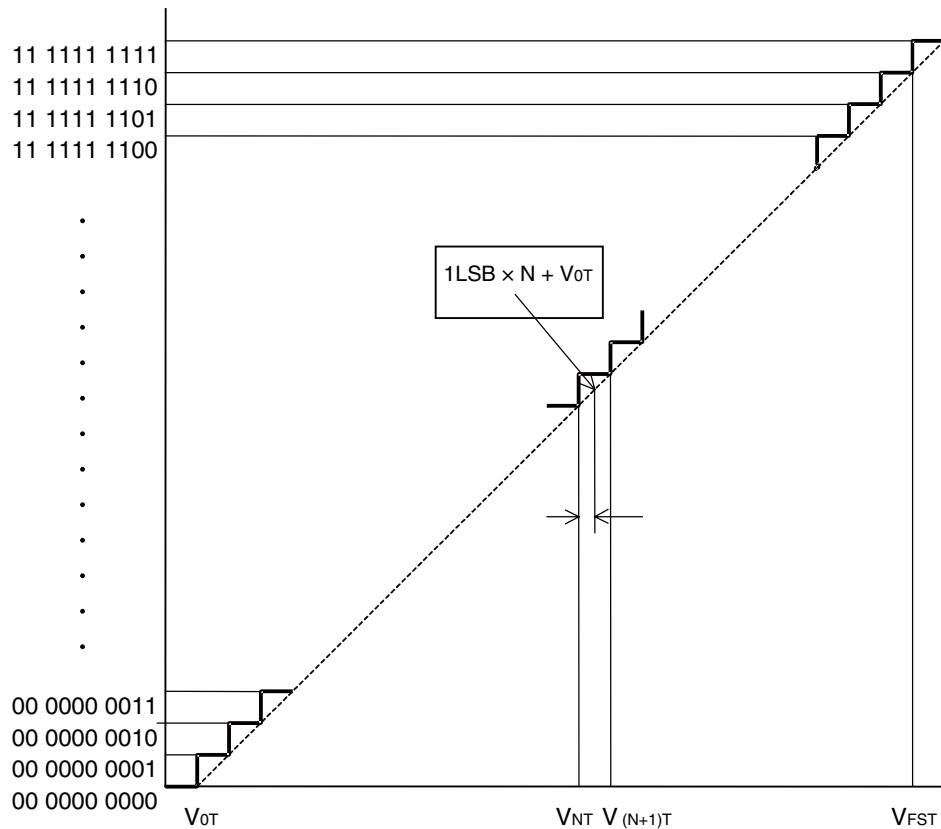
Linearity error

Deviation between the value along a straight line connecting the zero transition point (“00 0000 0000” ↔ “00 0000 0001”) of a device and the full-scale transition point (“11 1111 1110” ↔ “11 1111 1111”) compared with the actual conversion values obtained.

Differential linearity error

Deviation of input voltage, which is required for changing output code by 1 LSB, from an ideal value.

• 10-bit A/D Converter- Conversion Characteristics



N = A/D converter digital output value.
 $V_{0T} = AV_{SS} + 0.5\text{LSB}$ [V] (Theoretical value)
 $V_{FST} = AV_{RH} - 1.5\text{LSB}$ [V] (Theoretical value)
 V_{NT} : Transition voltage of digital output from $N-1$ to N

$$\text{Linearity error} = \frac{V_{NT} - (1\text{LSB} \times N + V_{0T})}{1\text{LSB}} \text{ [LSB]}$$

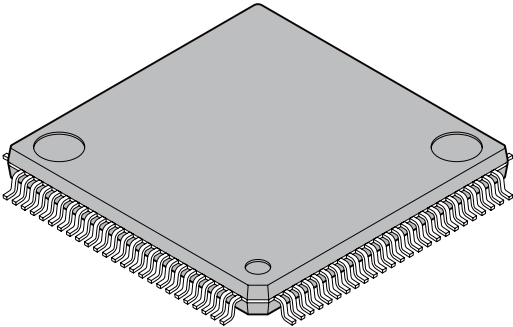
$$\text{Differential linearity error} = \frac{V_{(N+1)T} - V_{NT}}{1\text{LSB}} - 1 \text{ [LSB]}$$

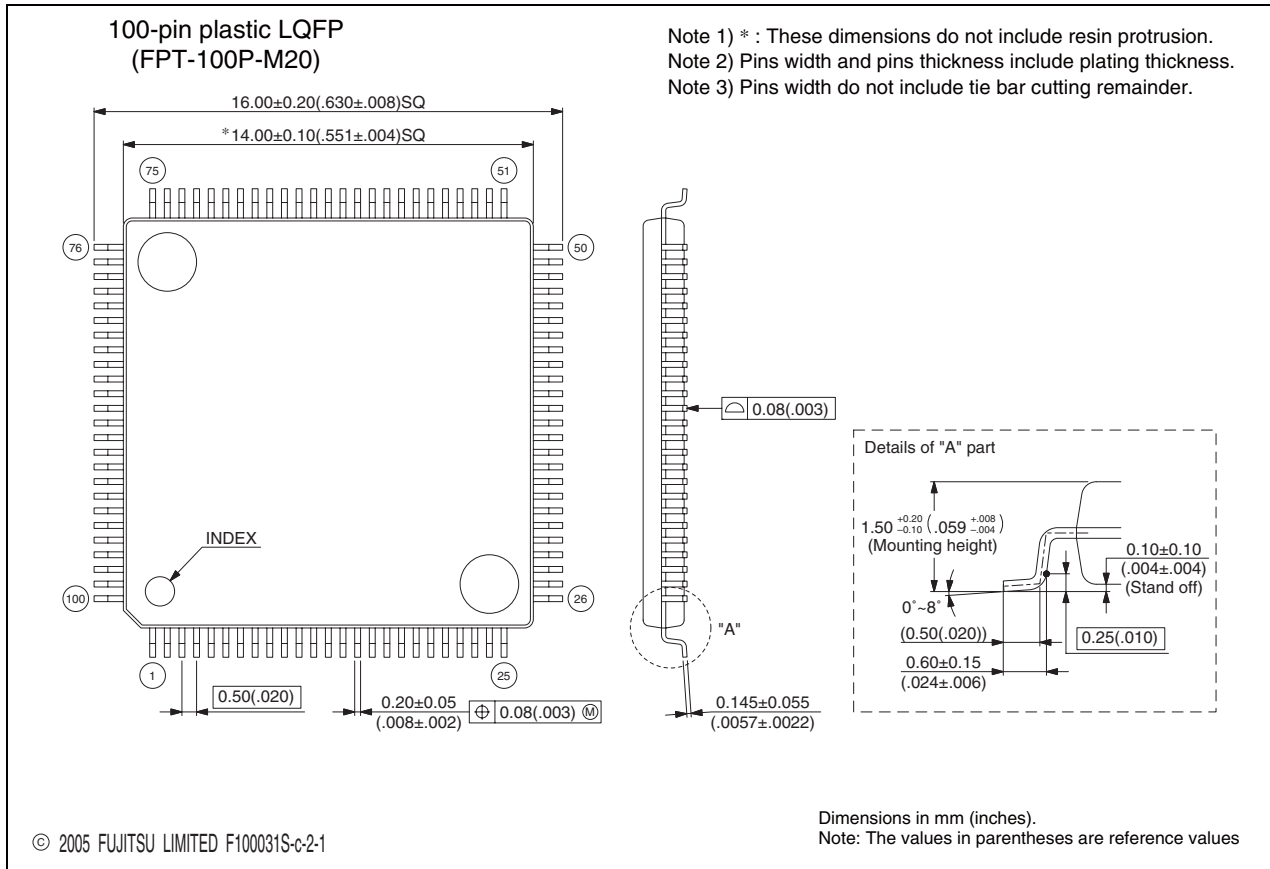
■ ORDERING INFORMATION

Part No.	Package
MB91F211PMC-GSE1	100-pin plastic LQFP (FPT-100P-M20)
MB91213PMC-GSE1	144-pin plastic LQFP (FPT-144P-M08)
MB91F213PMC-GSE1	144-pin plastic LQFP (FPT-144P-M08)
MB91V210PB-ESE1	420-pin plastic PBGA (BGA-420P-M01)

MB91210 Series

PACKAGE DIMENSION

<p>100-pin plastic LQFP</p>  <p>(FPT-100P-M20)</p>	Lead pitch	0.50 mm
	Package width × package length	14.0 mm × 14.0 mm
	Lead shape	Gullwing
	Sealing method	Plastic mold
	Mounting height	1.70 mm Max
	Weight	0.65 g
	Code (Reference)	P-LFQFP100-14×14-0.50

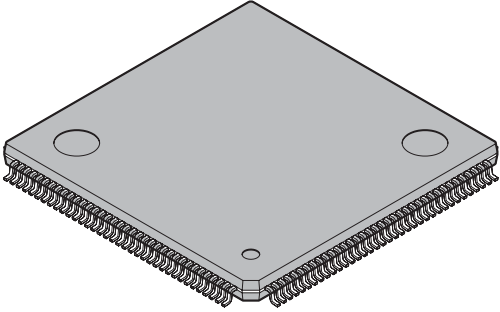


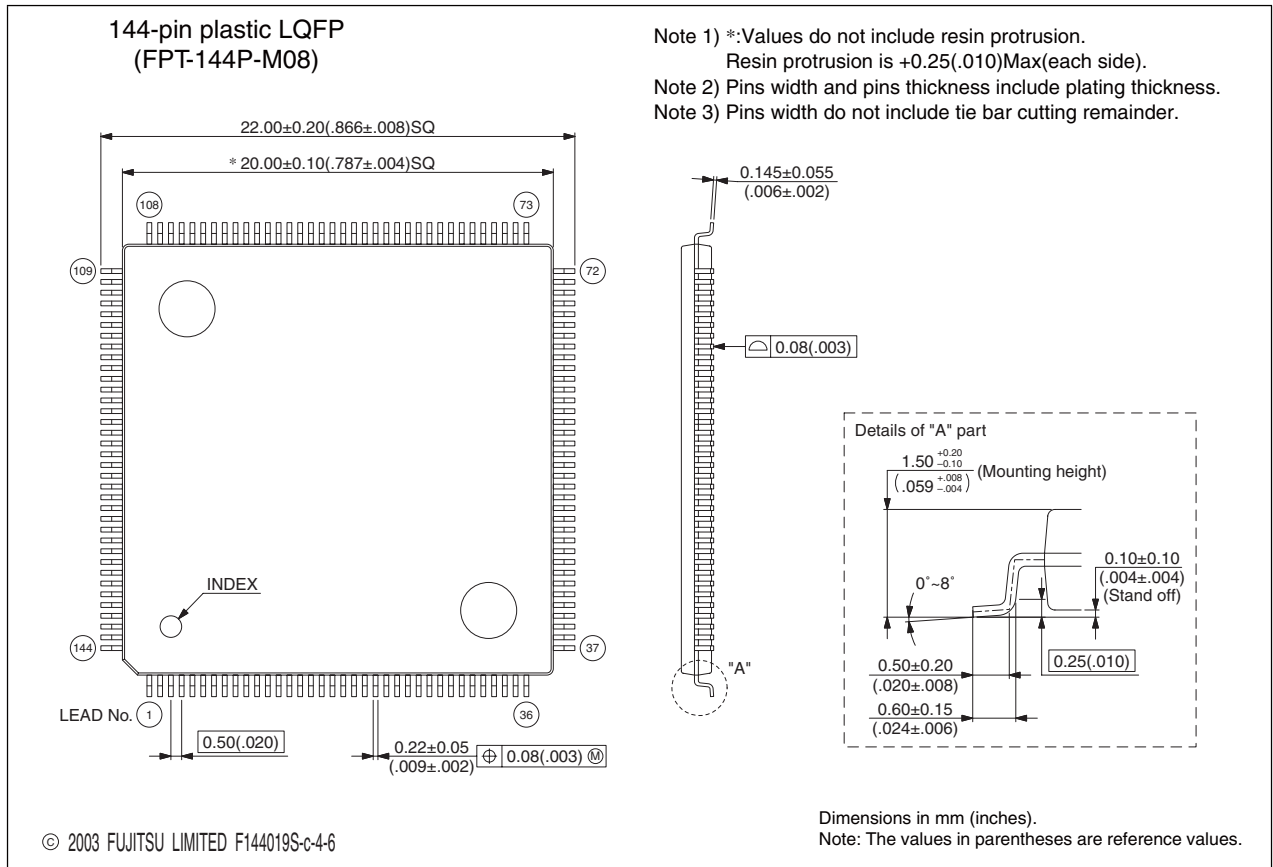
Please confirm the latest Package dimension by following URL.
<http://edevic.fujitsu.com/fj/DATASHEET/ef-ovpkiv.html>

(Continued)

MB91210 Series

(Continued)

<p>144-pin plastic LQFP</p>  <p>(FPT-144P-M08)</p>	Lead pitch	0.50 mm
	Package width × package length	20.0 × 20.0 mm
	Lead shape	Gullwing
	Sealing method	Plastic mold
	Mounting height	1.70 mm MAX
	Weight	1.20g
	Code (Reference)	P-LFQFP144-20×20-0.50



Please confirm the latest Package dimension by following URL.
<http://edevic.fujitsu.com/fj/DATASHEET/ef-ovpkiv.html>

MB91210 Series

The information for microcontroller supports is shown in the following homepage.
<http://www.fujitsu.com/global/services/microelectronics/product/micom/support/index.html>

FUJITSU LIMITED

All Rights Reserved.

The contents of this document are subject to change without notice. Customers are advised to consult with FUJITSU sales representatives before ordering.

The information, such as descriptions of function and application circuit examples, in this document are presented solely for the purpose of reference to show examples of operations and uses of Fujitsu semiconductor device; Fujitsu does not warrant proper operation of the device with respect to use based on such information. When you develop equipment incorporating the device based on such information, you must assume any responsibility arising out of such use of the information. Fujitsu assumes no liability for any damages whatsoever arising out of the use of the information.

Any information in this document, including descriptions of function and schematic diagrams, shall not be construed as license of the use or exercise of any intellectual property right, such as patent right or copyright, or any other right of Fujitsu or any third party or does Fujitsu warrant non-infringement of any third-party's intellectual property right or other right by using such information. Fujitsu assumes no liability for any infringement of the intellectual property rights or other rights of third parties which would result from the use of information contained herein.

The products described in this document are designed, developed and manufactured as contemplated for general use, including without limitation, ordinary industrial use, general office use, personal use, and household use, but are not designed, developed and manufactured as contemplated (1) for use accompanying fatal risks or dangers that, unless extremely high safety is secured, could have a serious effect to the public, and could lead directly to death, personal injury, severe physical damage or other loss (i.e., nuclear reaction control in nuclear facility, aircraft flight control, air traffic control, mass transport control, medical life support system, missile launch control in weapon system), or (2) for use requiring extremely high reliability (i.e., submersible repeater and artificial satellite).

Please note that Fujitsu will not be liable against you and/or any third party for any claims or damages arising in connection with above-mentioned uses of the products.

Any semiconductor devices have an inherent chance of failure. You must protect against injury, damage or loss from such failures by incorporating safety design measures into your facility and equipment such as redundancy, fire protection, and prevention of over-current levels and other abnormal operating conditions.

If any products described in this document represent goods or technologies subject to certain restrictions on export under the Foreign Exchange and Foreign Trade Law of Japan, the prior authorization by Japanese government will be required for export of those products from Japan.

The company names and brand names herein are the trademarks or registered trademarks of their respective owners.

Edited Business Promotion Dept.