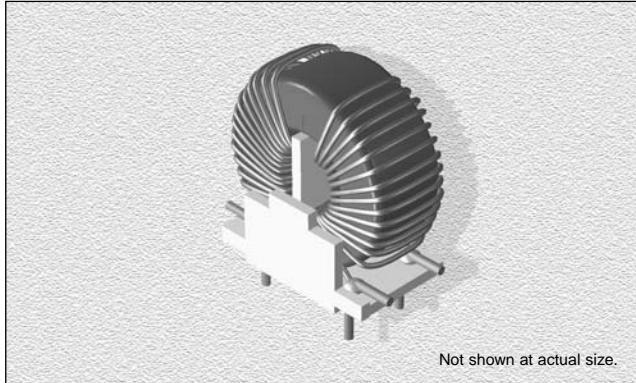


CTCMS

Toroidal Common Mode Choke

From 0.275 mH to 3.5 mH



SPECIFICATIONS

Part Number	Inductance Min. (mH)	Current Rating (Amp.)	Leakage Ind. Max. (μH)	DCR Max. (mΩ)	SRF Typ. (MHz)	Lead Dia. Nom. (mm)
CTCMS3213-1	3.5	1.3	62	150	0.500	1.29
CTCMS3214-1	1.7	2.0	32	65	0.850	1.29
CTCMS3215-1	1.0	3.2	22	36	1.250	1.29
CTCMS3216-1	0.750	5.0	19	22	1.300	1.29
CTCMS3217-1	0.425	8.1	10	12	1.750	1.29
CTCMS3218-1	0.275	13.0	8	8	2.000	1.29

CHARACTERISTICS

Description: Standard inductance through-hole toroidal inductor.

Applications: For use in linear power supply filters, power line filters, as well as the ability to suppress EMI in switch mode supplies.

Operating Temperature: -40°C to +85°C

Testing: Tested on an HP4284A at 10 kHz 0.25 Vrms

Electrical Specification: @ 25°C

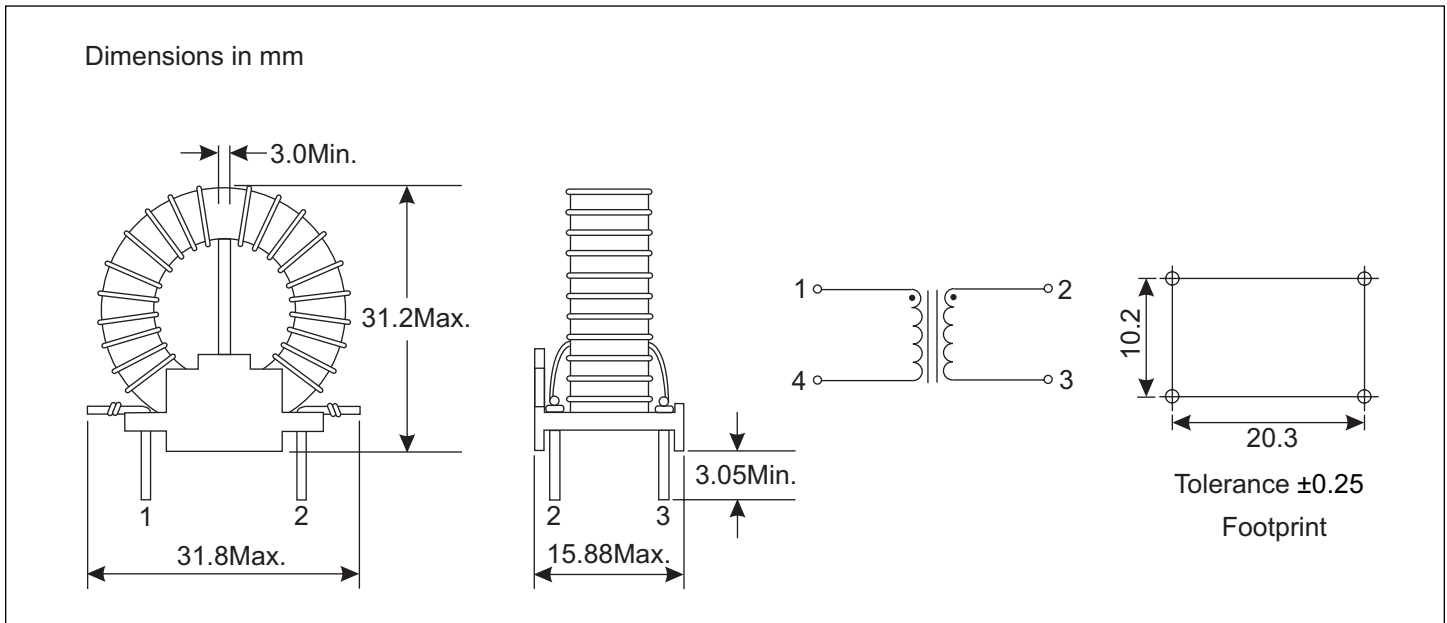
Header Material: Plastic - meets UL94V-0

Insulation Material: Rates 130°C minimum

Additional Information: Additional electrical & physical information available upon request

Samples available. See website for ordering information.

PHYSICAL DIMENSIONS



12.23.04