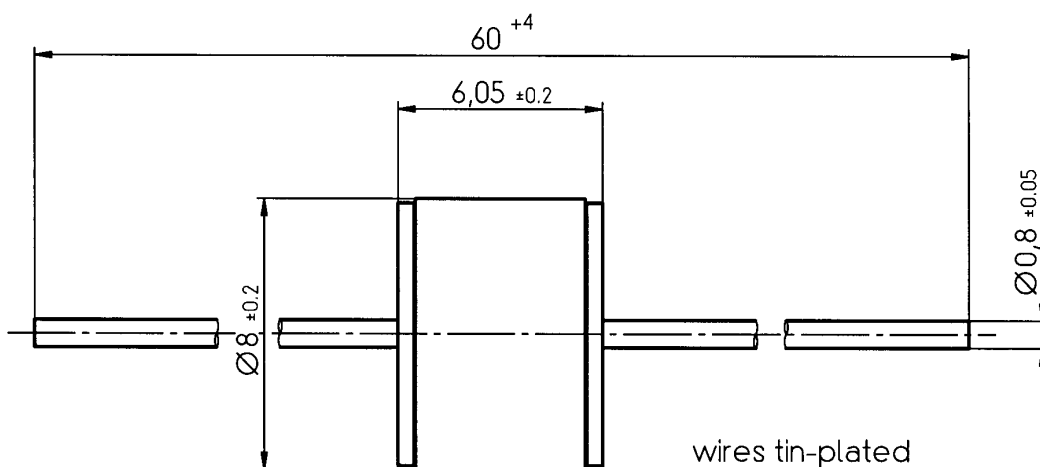


DC spark-over voltage <sup>1)2)</sup>	190 ... 255	V
Electrical life time		
Switching operations (cycle: 3 s on; 12 s off; 50 Hz) at +25; 125 °C	9 000 000	Ignitions
Test circuit parameters		
Open circuit voltage $V_0$	230	$V_{ac}$
Loading resistance R	1	k $\Omega$
Discharge capacitance C	1	$\mu$ F
Inductance L	40	$\mu$ H
Discharge peak current $I_p$	~ 150	A
Insulation resistance at 100 $V_{dc}$	> 0.1	G $\Omega$
Capacitance at 1 MHz	< 2	pF
Weight	~ 1.5	g
Operation and storage temperature	-20 ... +125	°C
Climatic category (IEC 60068-1)	20/ 125/ 21	
Marking, green	<b>EPCOS CS 230 YMM O</b> CS - Series 230 - Nominal voltage YY - Year of production MM - Month of production O - Non radioactive	

<sup>1)</sup> At delivery AQL 0.65 level II, DIN ISO 2859

<sup>2)</sup> In ionized mode, after load



wires tin-plated

*Not to scale*

*Dimensions in mm*

*Non controlled document*

© EPCOS AG 2002. Reproduction, publication and dissemination of this data sheet, enclosures hereto and the information contained therein without EPCOS' prior express consent is prohibited.

Purchase orders are subject to the General Conditions for the Supply of Products and Services of the Electrical and Electronics Industry recommended by the ZVEI (German Electrical and Electronic Manufacturers' Association), unless otherwise agreed.