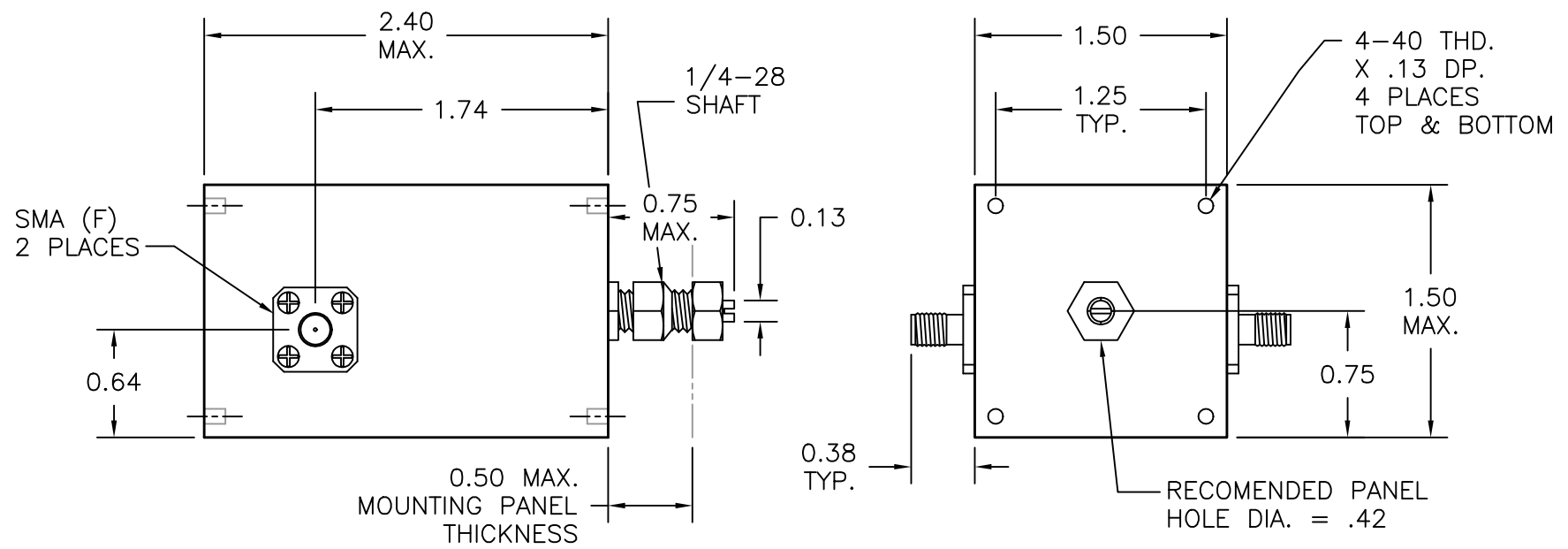



REV. A

DATE 5/17/01

INITIAL RELEASE



MATERIAL	TREATMENT IRIDITE	DRAWN R. LYNCH	DATE 5/17/01
FINISH ATM STD. GRAY	MOD NO. AF04-XX	CHECKED	DATE
AF04-XX VARIABLE ATTENUATOR - OUTLINE		APPROVED	DATE
		ADVANCED TECHNICAL MATERIALS, INC. 49 RIDER AVE., PATCHOGUE N.Y. 11772 TEL: (631) 289-0386 FAX: (631) 289-0358 http://www.atmmicrowave.com	
UNLESS OTHERWISE NOTED DIMENSIONS ARE IN INCHES TOLERANCES ARE:		FRACTIONS ±1/64 DECIMALS ±.01 ANGLES ±1/2°	SHEET. 1/1
 PROPRIETARY NOTICE: THE INFORMATION IN THIS DRAWING IS PROPRIETARY AND SHALL NOT BE USED OR DISCLOSED WITHOUT THE PRIOR WRITTEN CONSENT OF ATM, INC.		SCALE 1 : 1 DWG. NO. 4313	REV. A