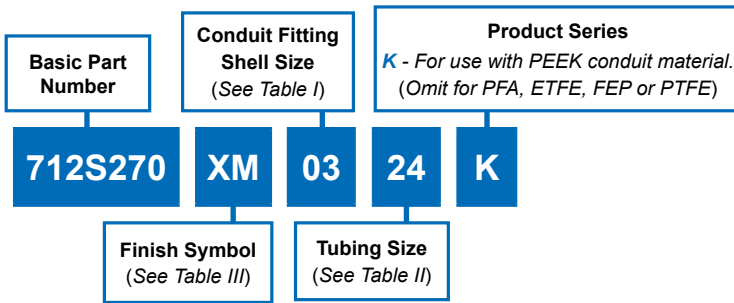


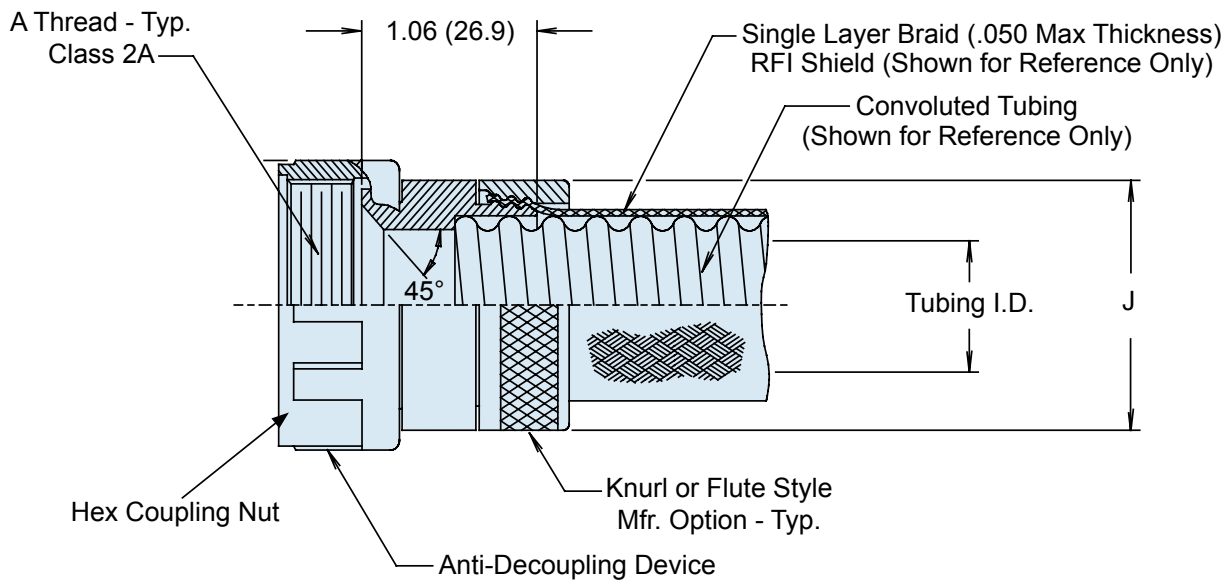
712S270 Composite EMI/RFI Single Shield Termination Conduit Fitting For Glenair Series 74 Helical Convulsed Tubing



Convulsed
Tubing



Symbol	Finish Description
XB	No Plating - Black Color (Non-Conductive Finish)
XM	2000 Hour Corrosion Resistant Electroless Nickel
XMT	2000 Hour Corrosion Resistant Ni-PTFE, Nickel-Fluorocarbon Polymer. 1000 Hour Grey™
XO	No Plating - Brown Color (Non-Conductive Finish)
XW	2000 Hour Corrosion Resistant Cadmium/Olive Drab over Electroless Nickel



Shell Size	A Thread Unified	Max Conduit Size Table 2	Weight in Pounds Max.
01	.750 - 20	16	.035
02	1.000 - 20	24	.047
03	1.312 - 18	32	.062
04	1.500 - 18	40	.077
05	2.000 - 18	64	.104
06	.500 - 20	09	.030
07	.625 - 24	12	.031

Tubing Size	Conduit I.D.	J Dia Max
06	.188 (4.8)	.790 (20.1)
09	.281 (7.1)	.985 (25.0)
10	.312 (7.9)	.985 (25.0)
12	.375 (9.5)	1.035 (26.3)
14	.437 (11.1)	1.100 (27.9)
16	.500 (12.7)	1.160 (29.5)
20	.625 (15.9)	1.285 (32.6)
24	.750 (19.1)	1.480 (37.6)
28	.875 (22.2)	1.670 (42.4)
32	1.000 (25.4)	1.720 (43.7)
40	1.250 (31.8)	2.100 (53.3)
48	1.500 (38.1)	2.420 (61.5)
56	1.750 (44.5)	2.660 (67.6)
64	2.000 (50.8)	2.910 (73.9)

- APPLICATION NOTES**
- Metric dimensions (mm) are in parentheses and are for reference only.
 - Convulsed tubing to be ordered separately. See Type B, D and E.
 - Mates to 710-318, -319, -320 and -321 transitions
 - Coupling nut supplied unplated.