



660-077 • 660-078
Glenair Composite 190 Series Protective Covers

B

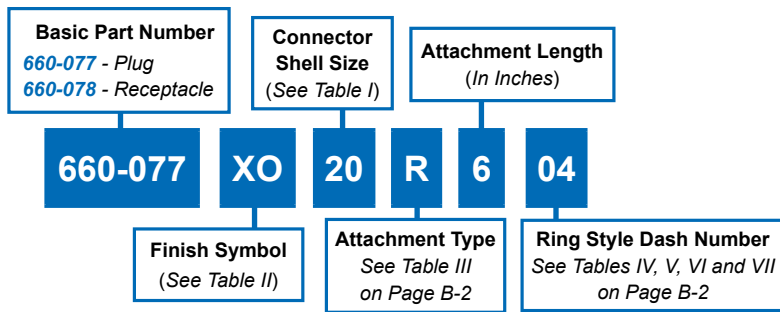


TABLE II	
Symbol	Finish Description
XB	No Plating - Black Color (Non-Conductive Finish)
XM	2000 Hour Corrosion Resistant Electroless Nickel
XMT	2000 Hour Corrosion Resistant Ni-PTFE, Nickel-Fluorocarbon Polymer. 1000 Hour Grey™
XO	No Plating - Brown Color (Non-Conductive Finish)
XW	2000 Hour Corrosion Resistant Cadmium/Olive Drab over Electroless Nickel

660-077
Glenair 190-015 PLUG COVER

660-078
Glenair 190-016 RECEPTACLE COVER

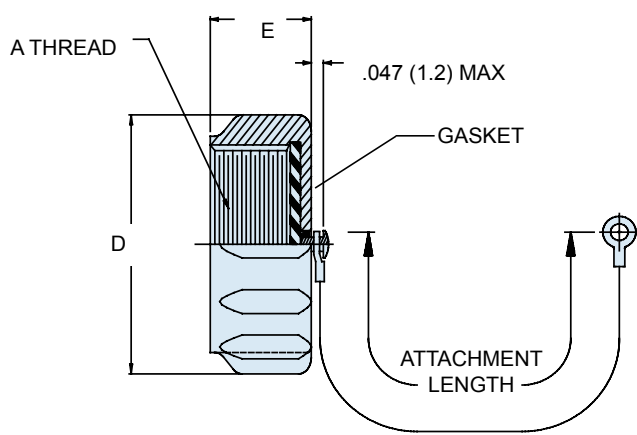
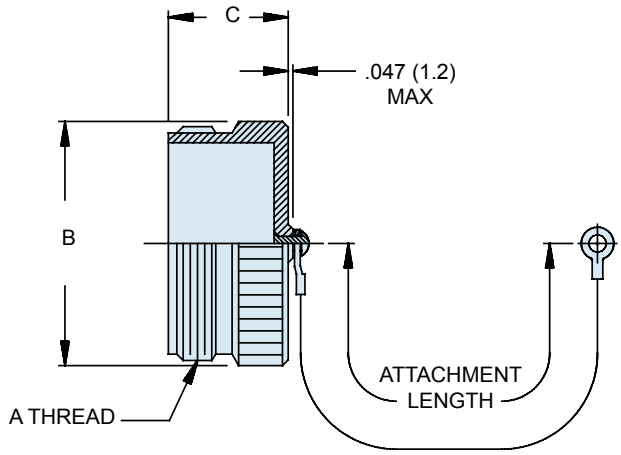


TABLE I: CONNECTOR SHELL SIZE ORDER NUMBER					
SHELL SIZE	A THREAD	B MAX	C MAX	D MAX	E MAX
10SL	.625 - .1P-1L	1.125 (28.6)	1.093 (27.8)	1.156 (29.4)	.750 (19.1)
14S	.875 - .1P-1L	1.312 (33.3)	1.093 (27.8)	1.343 (34.1)	.719 (18.3)
18	1.125 - .1P-1L	1.565 (39.8)	1.093 (27.8)	1.596 (40.5)	.975 (24.8)

Metric dimensions (mm) are in parentheses and are for reference only.