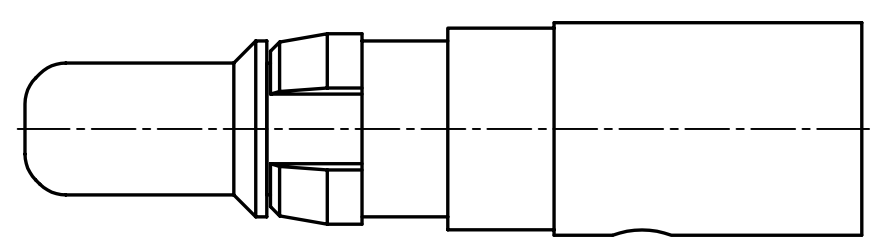
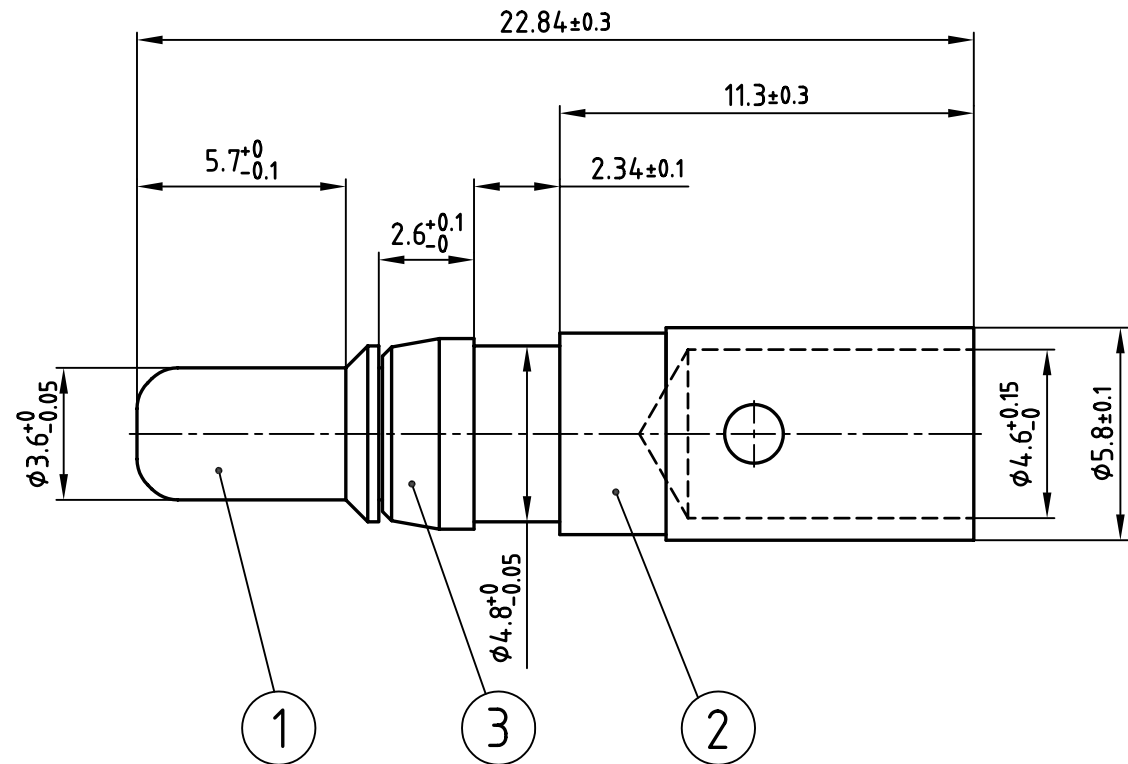


used for: D-SUB COMBINATION



NOTES:

- 1. MATERIAL: COPPER ALLOY
- 2. PLATING:
 - ITEM 1: SEE TABLE
 - ITEM 2: min. 8µ" HARD GOLD OVER min. 50µ" NICKEL
 - ITEM 3: NICKEL PLATED

PLATING ITEM 1	PART-NO.
30µ" HARD GOLD OVER min. 50µ" NICKEL	131C11049X
50µ" HARD GOLD OVER min. 50µ" NICKEL	131J11049X



THIS DRAWING MAY NOT BE COPIED OR REPRODUCED IN ANY WAY, AND MAY NOT BE PASSED ON TO A THIRD PARTY WITHOUT WRITTEN PERMISSION. OWNERSHIP AND COPYRIGHT OF CONEC GmbH DO NOT ALTER CAD DRAWING BY HAND

rev.	description	date	name



tolerance	ISO 2768-m	scale:	5:1
		material:	SEE NOTES
1998	date	name	HIGH POWER CONTACT MALE CRIMP VERSION 40A D-SUB COMBINATION
drawn	23.03.	Barcinski	
appd.	23.03.	Mickenbecker	
norm			
d-old			
		dwg no:	CAD/ REL.14
		DIN-A 4	
		sh: 1/1	
		13K11D4A	
		product no:	SEE TABLE

4 3 2 1