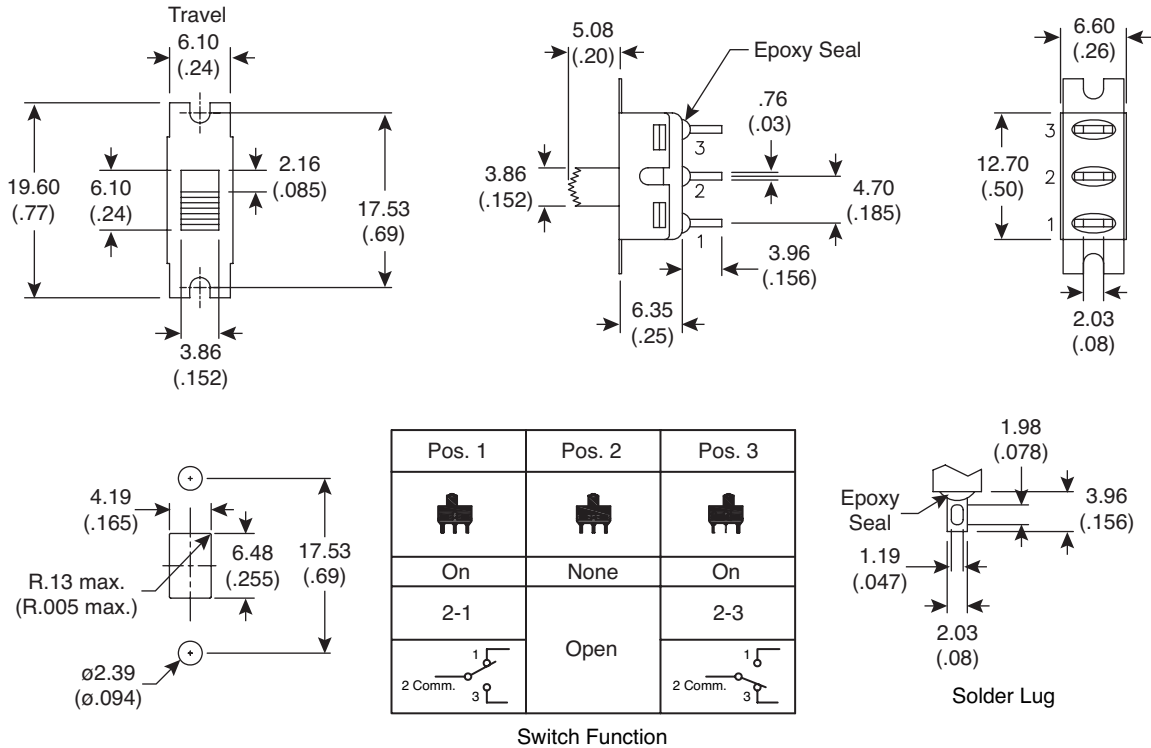


Dimensions: mm (In.)



**Mechanical Specifications:**

- Rating: 2A/ 250VAC, 5A/120VAC
- Contact Resistance: 10mΩ max. initial @ 2-4 VDC 100mA
- Insulation Resistance: 1000MΩ min.
- Dielectric Strength: 1000 V RMS @ sea level

**Electrical Specifications:**

- Operating Temperature: -30°C to 85°C
- Mechanical Life: 30,000 make-and-break cycles

**Materials:**

- Case: Dially phthalate (DAP) (UL94v-0)
- Actuator: Nylon, black std.
- Housing: Stainless
- Contact: Silver plated
- Terminals: Silver plated copper alloy

**Note:**

- RoHS Compliant

Slide Switch  
103-5006-EV

