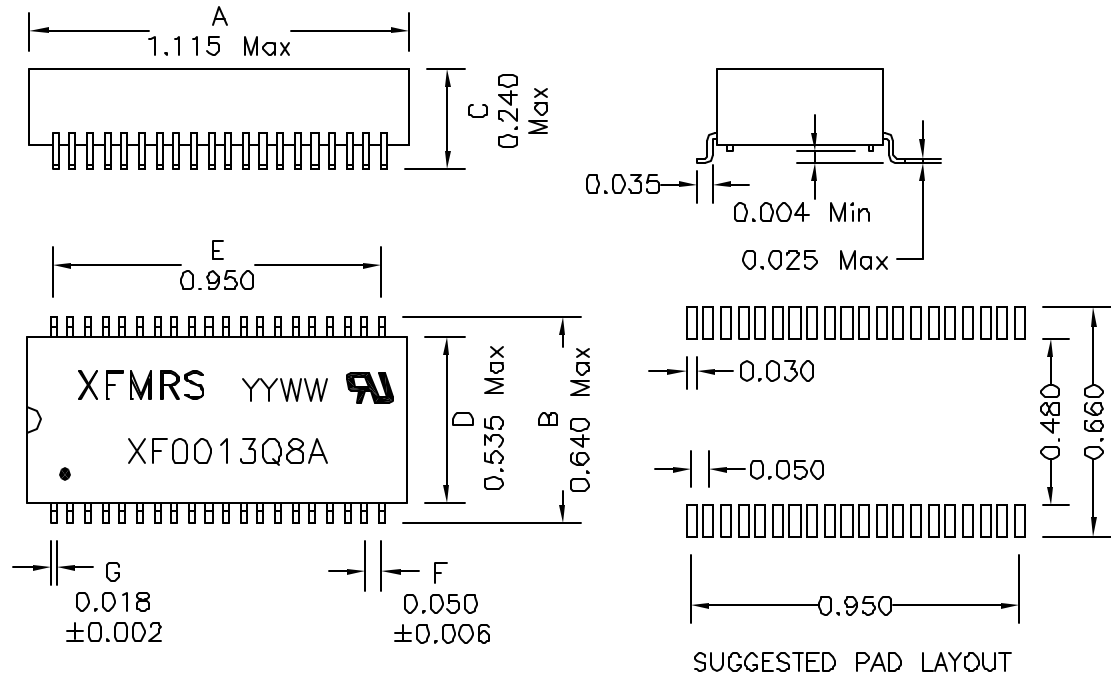
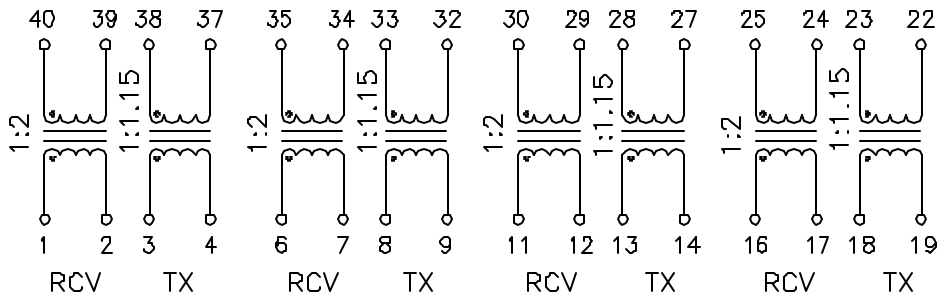


### 1. Mechanical Dimensions:



### 2. Schematic:



### 3. Electrical Specifications: @25°C

- Isolation: 1500 Vrms (PRI to SEC)
- TX Turns Ratio: 1:1.15 (PRI:SEC)
- RCV Turns Ratio: 1:2 (PRI:SEC)
- PRI OCL: 1.50mH Typical @100KHz 50mV
- PRI Q: 8 MIN @10KHz 50mV
- Cw/w: 35pF Maximum @100KHz 50mV (PRI/SEC)
- PRI LL: 0.5uH Maximum @100KHz 50mV (SEC Shorted)
- Pri DCR: 0.80 Ohms Max
- Crosstalk: -60dB Min (0.1 to 5MHz)

**Notes:**

- Solderability: Leads shall meet MIL-STD-202G, Method 208H for solderability.
- Flammability: UL94V-0
- ASTM oxygen index: > 28%
- Insulation System: Class F 155°C. UL file E151556
- Operating Temperature Range: All listed parameters are to be within tolerance from -40°C to +85°C
- Storage Temperature Range: -55°C to +125°C
- Aqueous wash compatible
- SMD Lead Coplanarity: ±0.004"(0.102mm)
- Electrical and mechanical specifications 100% tested
- RoHS Compliant Component
- UL60950 recognized for Supplementary Insulation requirements for a working voltage up to 300V, file #E165856.

<b>XFMRS Inc</b> www.XFMRS.com	Title: T1/E1/CEPT QUAD PORT		
	UNLESS OTHERWISE SPECIFIED TOLERANCES: .xxx ±0.010 Dimensions in INCH		P/N: XF0013Q8A REV. A
SHEET 1 OF 1	DWN.	XianYi	Sep-05-08
	APP.	Joe Huff	Sep-05-08

DOC REV: A/5