



OFF-LINE SWITCH MODE LINK SWITCH TRANSFORMERS

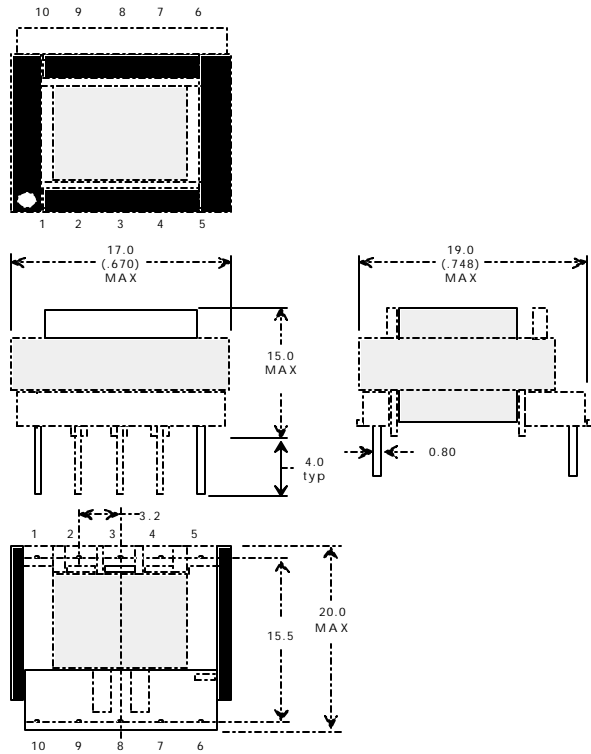
- * Designed for Use with Power Integrations IC's, LINK Switch Family
- * Design to comply with the requirements of IEC950, EN60950, UL1950/CSA950.
- * Design to comply with the requirements of UL, IEC & CSA Insulation System Class B.
- * All units comply with the requirements of EU RoHS Directive.
- * 3000 Vrm Isolation (Hi-Pot). Meets UL1950, IEC950 Safety Standard
- * Units are Designed for a Universal AC Input of 85 to 265Vac, 47/440 Hz, Unless otherwise Designated

GENERAL ELECTRICAL SPECIFICATIONS AT 25°C

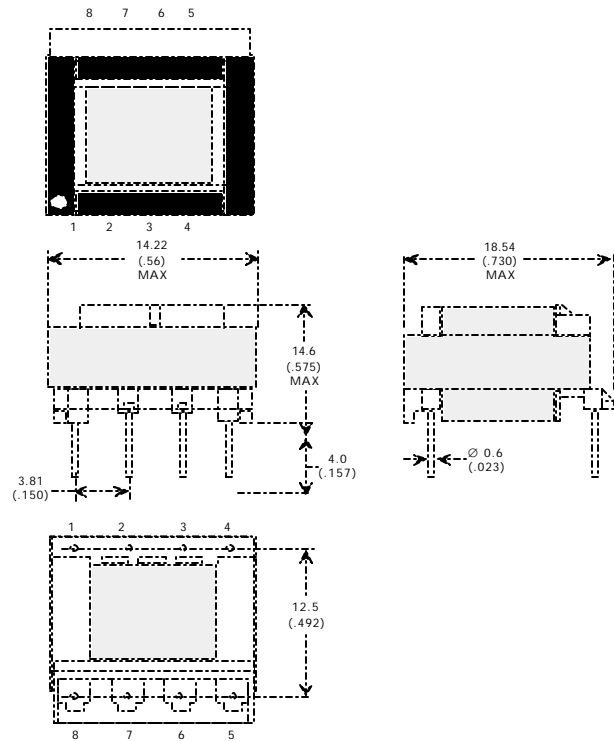
PART NUMBER	Recommended Power Intgr. Controller	Output Voltages (Vdc)	Output Currents (mA)	Output Power (Watt)	Package number
PNK-30001	LINK-TN	12	250	3	4
PNK-36001	LINK-XT	5/18	100/300	5.9	3
PNK-36002	LINK-XT	5	550	2.75	2
PNK-36003	LINK-XT	7/-5	175/300	2.7/4.15WP	2
PNK-36004	LINK-XT	5	600	3	1
PNK-36005	LINK-XT	6.2	322	2	1
PNK-50101	LINK-501	18	175	3.2	5
PNK-52001	LINK-520	5	480	2.4	2
PNK-56001	LINK-LP	2	1500	3	3
PNK-56002	LINK-LP	12	260	3.1	2
PNK-56003	LINK-LP	9	220	2	1
PNK-56004	LINK-LP	6	330	2	1
PNK-60001	LINK-II	7.6	700	5.3	1
PNK-61001	LINK-II	5	1000	5	1
PNK-62001	LINK-CV	5	1200	6	1
PNK-62002	LINK-CV	5/12/-22	1200/100/15	7	7
TSD-1992	LINK-501	5.5	500	2.75	5
TSD-2094	LINK-501	5	150	0.75	6
TSD-2349	LINK-520	5	550	2.75	1

OFF-LINE SWITCH MODE LINK SWITCH TRANSFORMERS

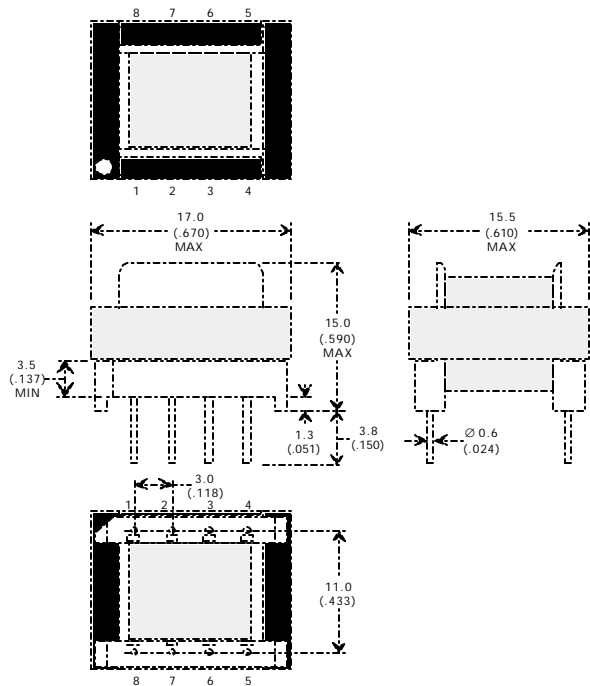
Package #1



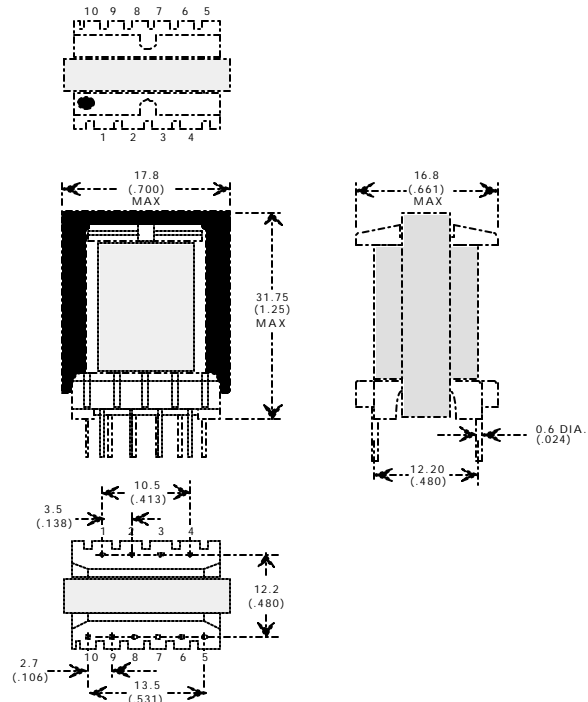
Package #2



Package #3



Package #4



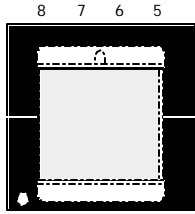
Specifications subject to change without notice.

02/10/09

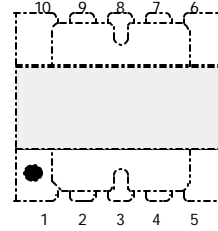
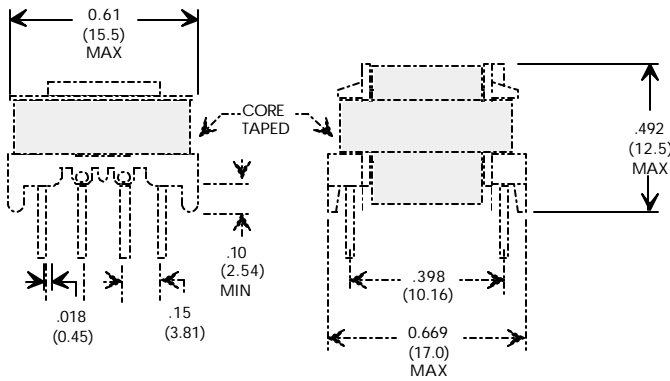
OFF-LINE SWITCH MODE LINK SWITCH TRANSFORMERS

Package #5

Package #6



1 2 3 4



1 2 3 4 5

