



SWE220000(2V2000AH)



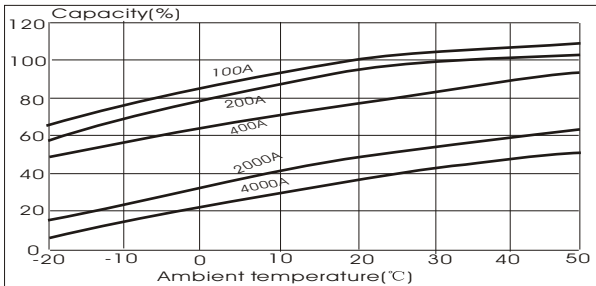
● Specifications

Nominal Voltage		2 V
Rated capacity (10 hour rate)		2000 Ah
Dimensions	Total Height	369 mm (14.5 inches)
	Height	344 mm (13.5 inches)
	Length	491 mm (19.3 inches)
	Width	351 mm (13.8 inches)
Weight Approx		131 Kg (290lbs)

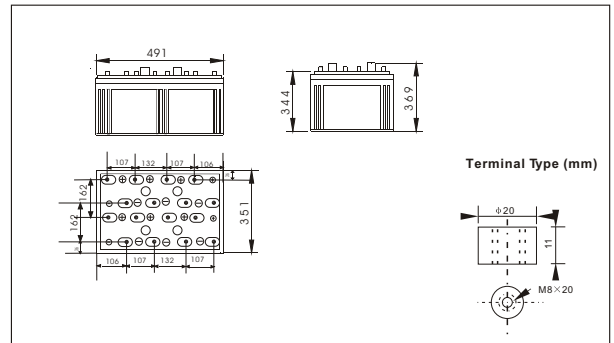
● Characteristics

Capacity 25°C(77°F)	10 hour rate(200 A)	2000 AH
	5 hour rate(320 A)	1600 AH
	1 hour rate(1200 A)	1200 AH
	1.5 hour discharge to 1.75 V	800 A
Internal Resistance	Full charged Battery at 25°C(77°F)	0.3 mΩ
Capacity affected by Temperature (10hour rate)	40°C(104°F)	102%
	25°C(77°F)	100%
	0°C(32°F)	85%
	-15°C(5°F)	65%
Self-Discharge at 25°C(77°F)	Capacity after 3 month storage	91%
	Capacity after 6 month storage	82%
	Capacity after 12 month storage	64%
Terminal		T20
Charge (constant Voltage)	Cycle	Initial Charging Current less than 800 A Voltage 2.35-2.40V
	Float	Voltage 2.25-2.30V

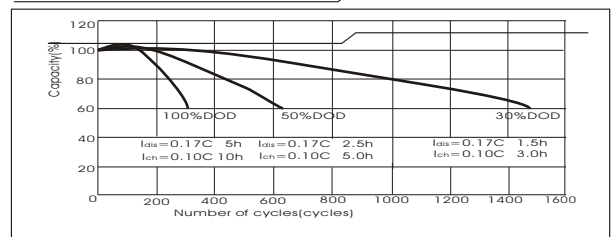
● Curves of capacity and temperature



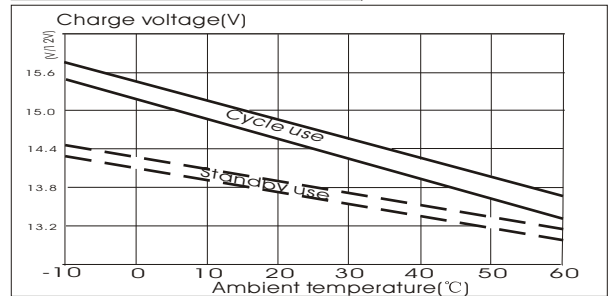
● Outer dimensions (mm)



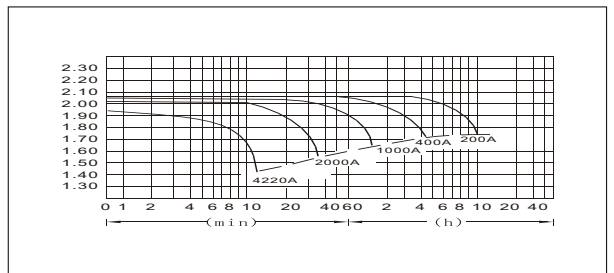
● Curves of cycle life(25°C)



● Curves of charge voltage and temperature



● Discharge Curves 25°C(77°F)



Constant Current(Amp) and Constant Power(Watt) Discharge Table at 25°C(77°F)

Time		5min	10min	15min	30min	1h	2h	3h	4h	5h	8h	10h	20h
1.60V	A	6406	4220	3402	2280	1200	700	514	400	330	234	210	113
	W	11018	7512	6079	4086	2160	1281	953	750	625	447	404	220
1.70V	A	6204	3808	3204	2180	1128	668	500	390	324	228	206	110
	W	11043	7087	5975	4079	2126	1283	965	756	630	445	403	215
1.75V	A	6002	3406	2802	2040	1092	652	488	384	320	226	202	110
	W	10924	6458	5329	3913	2108	1260	948	749	625	443	398	217
1.80V	A	5784	3210	2604	1880	1056	636	476	378	312	220	200	108
	W	10816	6170	5000	3630	2049	1241	935	744	615	435	396	214
1.85V	A	5590	3008	2404	1680	1020	620	460	368	304	214	190	102
	W	10565	5805	4664	3276	1999	1221	911	730	605	427	382	206