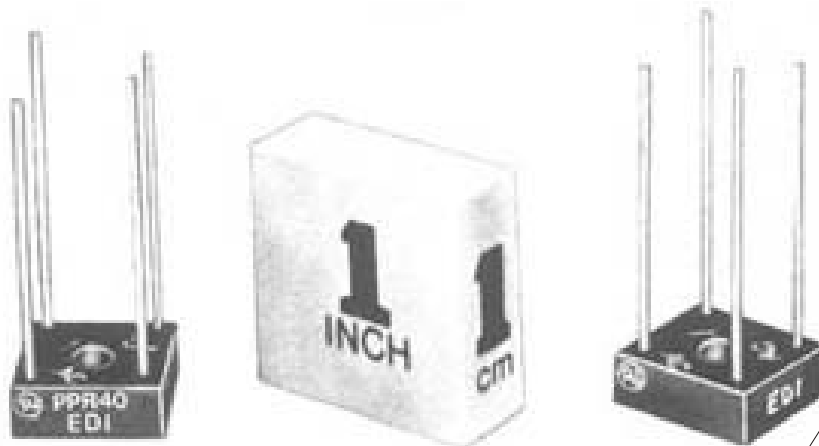




PPR

FAST RECOVERY
SINGLE-PHASE FULL WAVE BRIDGE
5.0 AMPERES HEAT SINK MOUNTING
2.0 AMPERES FOR P.C. BOARD MOUNTING



RU This mark indicates recognition under the component program of Underwriters Laboratories, Inc.

PPR SERIES

PRV/leg	50V	100V	200V	400V	600V	800V	1000V
Type No.	PPR05	PPR10	PPR20	PPR40	PPR60	PPR80	PPR100

ELECTRICAL CHARACTERISTICS PER LEG
 (at $T_A=25^{\circ}\text{C}$ Unless Otherwise Specified)

Max. Reverse Recovery, T_{rr} (Fig.4)	200	Nano Sec.
Max. Forward Voltage Drop, $V_F = 1.3\text{ V @ } I_F =$	2.0	Amp
Max. DC Reverse Current @ PRV and 25°C , I_R	1.0	μA
Max. Peak Surge Current, I_{FSM} (8.3ms)	100	Amp
Ambient Operating Temperature Range, T_A	-55 to +150	$^{\circ}\text{C}$
Storage Temperature Range, T_{STG}	-55 to +150	$^{\circ}\text{C}$
Thermal Resistance (Total Bridge), $R_{\theta j-c}$	7.0typ.	$^{\circ}\text{C/W}$

NOTE:

Maximum lead and terminal temperature for soldering, 3/8 inch from case, 5 seconds at 250°C .

EDI reserves the right to change these specifications at any time without notice.

Figure 1

PPR SERIES CURRENT DERATING

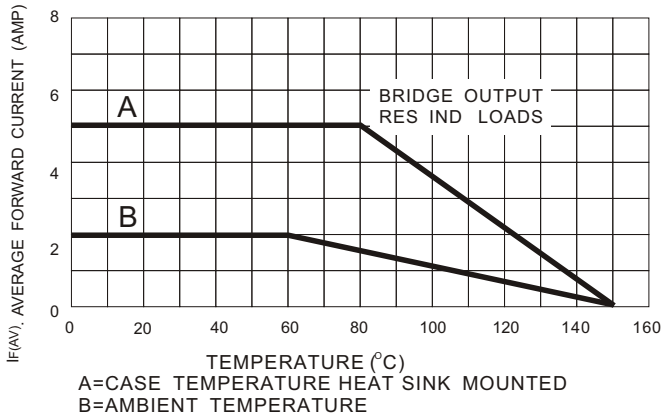


Figure 2

NON-REPETITIVE SURGE CURRENT

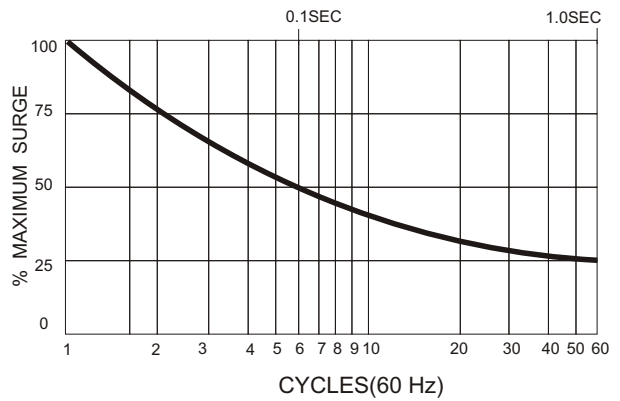


Figure 3

POWER DISSIPATION

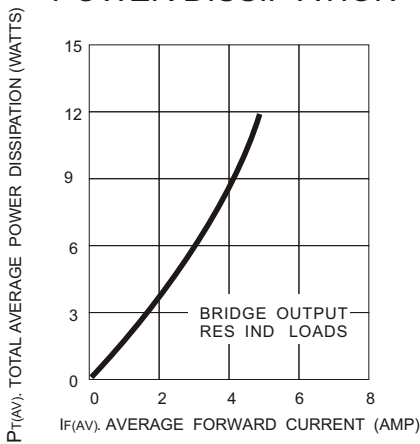
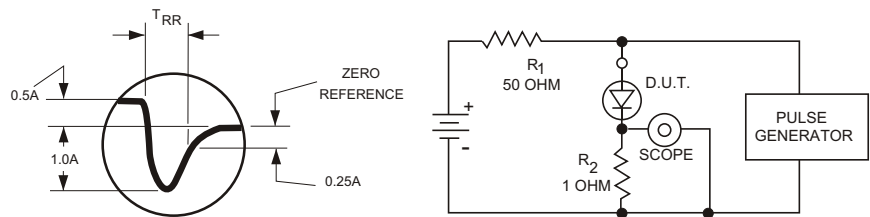


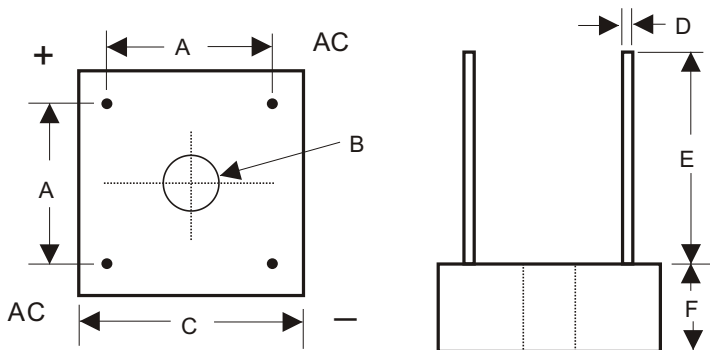
Figure 4

TEST CIRCUIT



R_1, R_2 NON-INDUCTIVE RESISTORS
PULSE GENERATOR - HEWLETT PACKARD 214A OR EQUIV
IKC REP. RATE, 10μ SEC. PULSE WIDTH
ADJUST PULSE AMPLITUDE FOR PEAK I_R

PPR SERIES MECHANICAL OUTLINE



LTR	INCHES	MILLIMETERS
A	.411-.441	10.44-11.20
B	.137-.167 DIA	3.48-4.24 DIA
C	.590-.610	14.99-15.49
D	.038-.042	.97-1.07
E	1.000 MIN	25.4 MIN
F	.300 MAX	7.62 MAX

NOTE: A thin film of silicone thermal compound is recommended between the Minibridge[®] case and mounting surface for improved thermal conduction.

ELECTRONIC DEVICES, INC. DESIGNERS AND MANUFACTURERS OF SOLID STATE DEVICES SINCE 1951.

21 GRAY OAKS AVENUE * YONKERS, NEW YORK 10710 914-965-4400 * FAX 914-965-5531 * 1-800-678-0828

e-mail:sales@edidiodes.com * website: <http://www.edidiodes.com>