



Model No.	OSMW38E20GJ-XXXXS1C1A-A
REV.	C2

## PRODUCT SPECIFICATION FOR **LED Light Strip**

### Descriptions:

- Low Power Consumption, High Intensity
- Long life, Easy Installation
- Voltages Available 12VDC
- LED Model Number: OSXXXXS1C1A

### Features:

- Available in Red , Orange , Yellow , Green , Blue , White
- Directly use on line voltage
- Low Power Consumption , High intensity
- Energy saving
- Excellent beam control
- Long life

### Application:

- Channel letter signs
- Indirect accent décor light
- Large area back lighting
- Under counter light
- Decorate building 's contour
- Substitute neon light

### Product Picture:





Model No.	OSMW38E20GJ-XXXXS1C1A-A
REV.	C2

### Device Selection Guide

Module No.	Color	Dom. Wavelength (Typ.)	Intensity / Per LED (Typ.)
R5MAS1C1A -X	Red	625±5nm	1000 mcd
O5MAS1C1A -X	Orange	605±5nm	1000 mcd
Y5MAS1C1A -X	Yellow	590±5nm	1000 mcd
G5DAS1C1A -X	Green	530±5nm	900 mcd
B5SAS1C1A -X	Blue	475±5nm	400 mcd
W5SAS1C1A -X	White	X=0.27 ; Y=0.28	1500 mcd
M5SLS1C1A -X	Warm White	X=0.45 ; Y=0.41	1000 mcd
K5SLS1C1A -X	Pink	X=0.45 ; Y=0.17	300 mcd

### Absolute Maximum Ratings(Ta=25 )

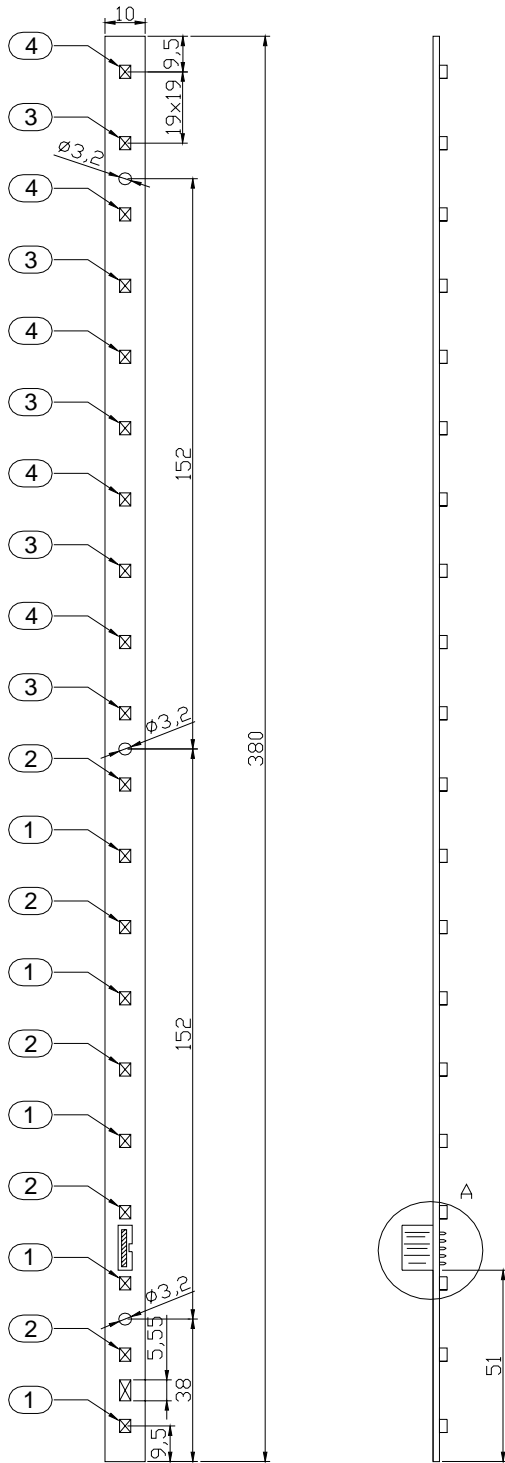
Items	Symbol	Values	Units
Operating supply range(DC)	V <sub>idc</sub>	14	V
Input Current (DC)	I <sub>i</sub>	240	MA
Power Dissipation	P <sub>a</sub>	3.36	W
LED Light Source Temperature	T <sub>led</sub>	105	DegC
Operating Temperature	T <sub>ope</sub>	-10 ~ +40	DegC
Storage Temperature	T <sub>sto</sub>	-20 ~ +80	DegC

### Typical Performance (Ta=25 )

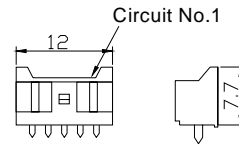
Items	Symbol	Min.	Typ.	Max.	Units
LED Module Power	P <sub>m</sub>	---	1.92	3.36	w
Input Voltage(DC)	V <sub>i</sub>	---	12	14	V
Product input Current	I <sub>f</sub>	---	160	240	mA
Beam Pattern	BP	---	120	---	Deg
Total Length of Modules (Including Pin)	L <sub>mod.</sub>	---	380	---	mm
Net Weight	Wei.	---	13	---	g

Model No.	OSMW38E20GJ-XXXXS1C1A-A
REV.	C2

### Product Dimensions:



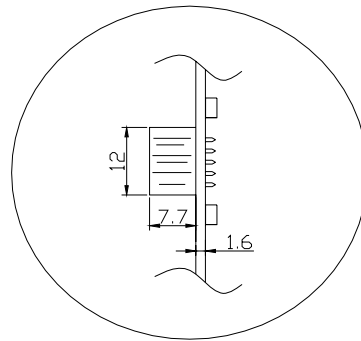
JST PA FAMILY SERIES  
 TYP: B05B-PASK  
 TOP ENTRY TYPE



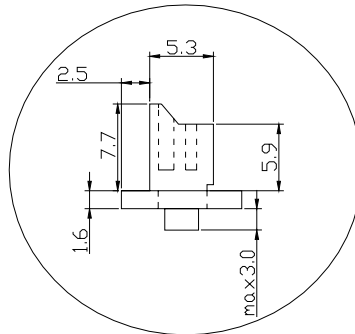
#### PINOUT

PIN 1	Circuit 1
PIN 2	Circuit 2
PIN 3	Circuit 3
PIN 4	Circuit 4
PIN 5	12 V

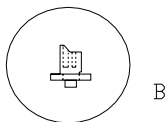
Note: All Circuits switched to GND from the controller board.



EINZELHEIT A



EINZELHEIT B



Unit: mm  
 Tolerance: ± 1mm