

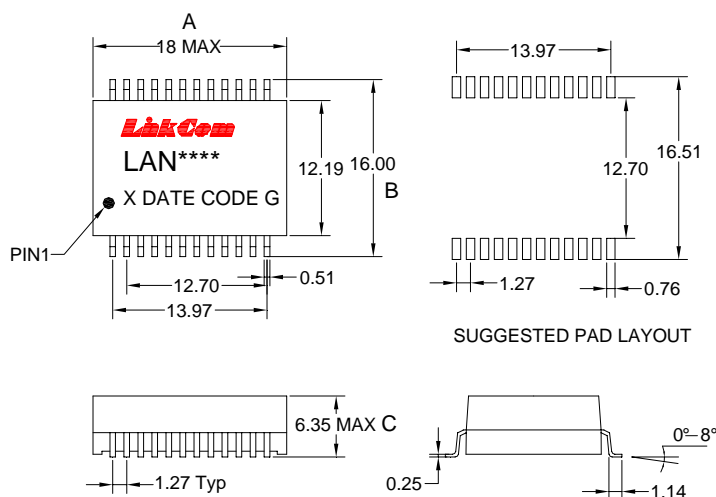
10/100/1000BASE-T Magnetics Module

- Meets IEEE 802.3 standard for 1000BASE-T
- RoHS Compliant
- Single port configuration
- Operating Temperature: 0°C ~70°C

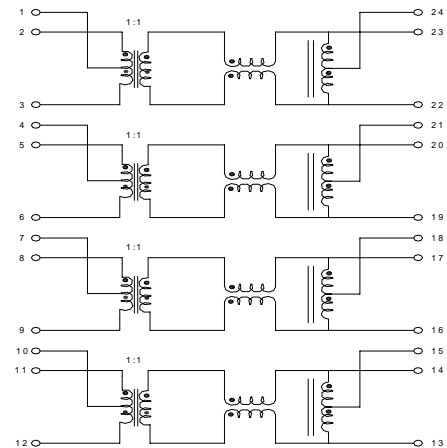
Electrical Specification @25°C

OCL:	350uH Min. @100KHz/0.1V with 8mA DC Bias			
Hi-POT :	1500Vrms.			
Turn Ratio:	1CT:1CT±3%			
D.C.R:	1.2ohm Max.			
Insertion Loss:	1-100MHz -1.0dB Max.			
Return Loss:	1-30MHz	40-50MHz	60-80MHz	100MHz
	-18dB Min.	-13.0dB Min.	-12dB Min.	-10dB Min.
D.C.M.R. :	30MHz	60MHz	100MHz	
	-40dB Min.	-35dB Min.	-30dB Min.	
Cross Talk :	30MHz	60MHz	100MHz	
	-45dB Min.	-40dB Min.	-35dB Min.	

Dimensions



Schematic



Mark

1. LAN****----LAN3103
2. X----PRODUCT LINE
3. DATE CODE----YYWW
4. G----RoHS

Units: mm
Unless otherwise specified, all tolerances are ±0.25