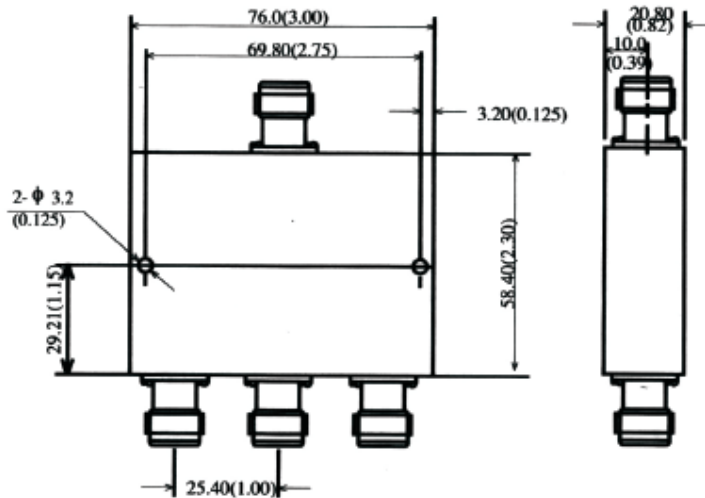


3-Way Power Divider

P/N: JXWBGF-T-3-10-1000-B16

Frequency Range(MHz)	10-1000
Insertion Loss(dB)	L: 0.3/0.8 Typ/Max
	M: 0.3/0.8 Typ/Max
	U: 0.8/1.2 Typ/Max
Isolation(dB)	L: 25/15 Typ/Min
	M: 30/20 Typ/Min
	U: 35/24 Typ/Min
Phase Unbalance(°)	4 max
Amplitude Unbalance(dB)	0.5 max
Connector	BNC-Female
Operating Temperature(°C)	-40 ~ +80
Storage Temperature(°C)	-55 ~ +85

Outline Drawing (Size: mm)



For current data sheets, please contact: sales@aacix.com