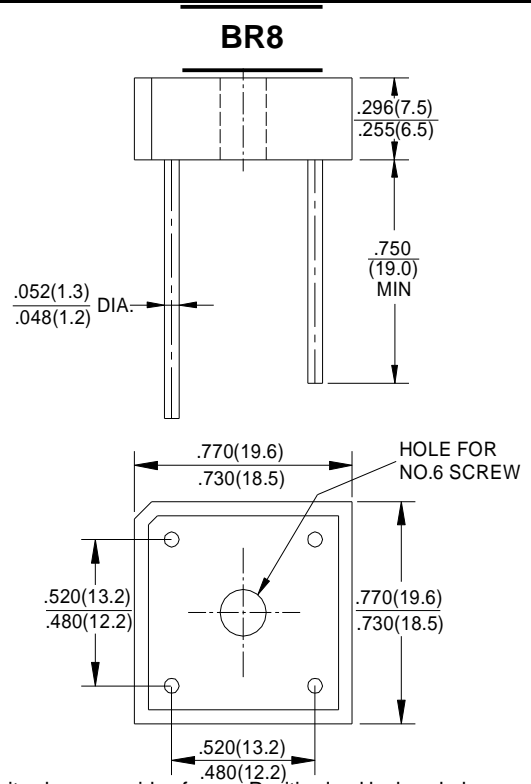


SILICON BRIDGE RECTIFIERS

REVERSE VOLTAGE - 50 to 1000Volts
 FORWARD CURRENT - 10.0 Amperes

FEATURES

- Surge overload rating -240 amperes peak
- Low forward voltage drop
- Small size; simple installation
- Sliver plated copper leads
- Mounting position: Any



Polarity shown on side of case, Positive lead by beveled corner.

Dimensions in inches and (millimeters)

MAXIMUM RATINGS AND ELECTRICAL CHARACTERISTICS

Rating at 25°C ambient temperature unless otherwise specified.

Single phase, half wave ,60Hz, resistive or inductive load.

For capacitive load, derate current by 20%

CHARACTERISTICS	SYMBOL	BR 10005S	BR 1001S	BR 1002S	BR 1004S	BR 1006S	BR 1008S	BR 1010S	UNIT
Maximum Recurrent Peak Reverse Voltage	VRRM	50	100	200	400	600	800	1000	v
Maximum RMS Bridge Input Voltage	VRMS	30	70	140	280	420	560	700	v
Maximum Average Forward Rectified Output Current at Tc=50°C TA=100°C (Note1)	I(AV)	10.0							A
Output Current at TA=50°C (Note2)		6.0							A
Peak Forward Surge Current 8.3ms Single Half Sine-Wave Super Imposed on Rated Load	IFSM	240							A
Maximum Forward Voltage Drop Per Bridge Element at 5.0A Peak	VF	1.0							V
Maximum Reverse Current at Rated DC Blocking Voltage Per Element TA=25°C TA=100°C	IR	10.0 1.0							uA mA
Operating Temperature Rang	TJ	-55 to +125							°C
Storage Temperature Rang	TSTG	-55 to +125							°C

Notes:1.Unit mounted on metal chassis

2. Unit mounted on P.C. board

FIG.1-DERATING CURVE
OUTPUT RECTIFIED CURRENT

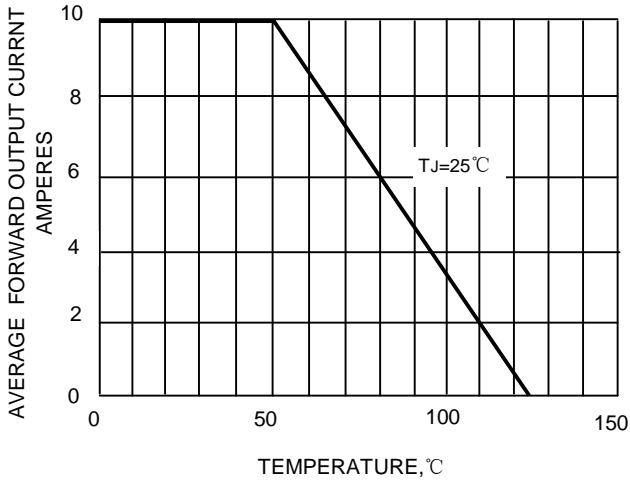


FIG.2-MAXIMUM FORWARD SURGE CURRENT

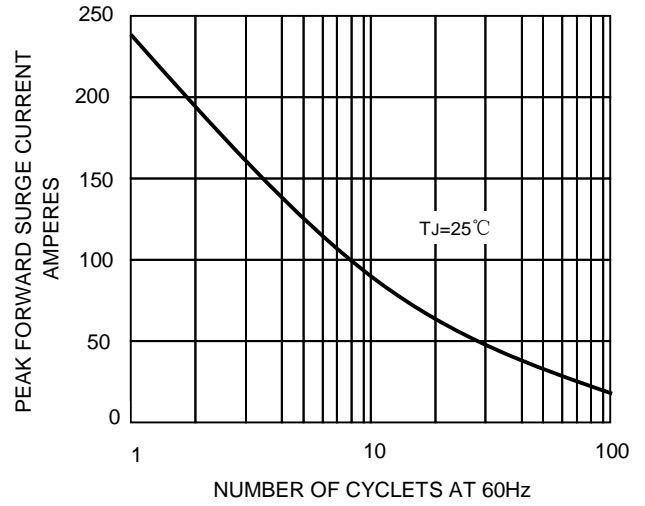


FIG.3-TYPICAL FORWARD
CHARACTERISTICS

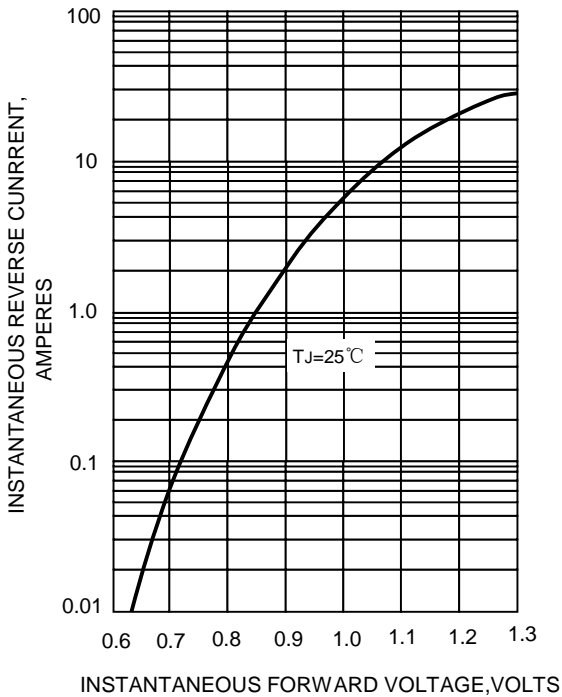


FIG.4-TYPICAL REVERSE
CHARACTERISTICS

