

## Features

- **Power Management**
  - Supply Input from USB or 1x Disposal Battery (Alkaline, NimH, NiCd)
  - Input Voltage Range: 0.9V to 1.8V
  - 2.7V/2.9V/3.1V/3.3V - 100 mA Step-Up DC/DC Converter for Main Supply
  - 2.7V to 3.5V (100mV step) - 150 mA LDO from USB supply
  - 2.4V to 3.0V (200mV step) - 60 mA LDO for Analog Supply
  - Reset Generator
  - SPI Interface and Internal Programming Registers
  - Dynamic Power Management
  - Very Low Quiescent Current Operation
- **Stereo Audio DAC**
  - Programmable Stereo Audio DAC (16-bits, 18-bits or 20-bits)
  - 93 dB SNR Playback Stereo Channels
  - 32 Ohm/20 mW Stereo Headset Drivers with Master Volume and Mute Controls
  - Stereo Line Level Input with Volume Control/Mute and Playback through the Headset Driver
  - Microphone Preamplifier
  - Stereo, Mono and Reverse Stereo Mixer
  - Left/Right Speaker Short-Circuit Detection Flag
  - 8, 11.024, 16, 22.05, 24, 32, 44.1 and 48 kHz Sampling Rates
  - 256x or 384x Fs Master Clock Frequency
  - I2S Serial Audio Interface
  - Low Power Operation
- **Applications:**
  - Ideally Suited to Interface with Atmel's AT8xC51SNDxC MP3 Microcontroller
  - Portable Music Players, Digital Cameras, CD Players, Handheld GPS

## 1. Description

The AT73C209 is a fully integrated, low cost, combined Stereo Audio DAC and Power Management Circuit targeted for battery powered devices such as MP3 players in "walkman" format or "mass storage" USB format.

The stereo DAC section is a complete high performance, stereo audio digital-to-analog converter delivering a 93 dB dynamic range. It comprises a multibit sigma-delta modulator with dither, continuous time analog filters and analog output drive circuitry. This architecture provides a high insensitivity to clock jitter. The digital interpolation filter increases the sample rate by a factor of 8, using 3 linear phase half-band cascaded filters, followed by a first order SINC interpolator with a sample-rate factor of 8. This filter eliminates the images of baseband audio, retaining only the image at 64x the input sample rate, which is eliminated by the analog post filter. Optionally, a dither signal can be added that reduces possible noise tones at the output. However, the use of a multibit sigma-delta modulator provides extremely low noise tone energy.

Master clock is 256 or 384 times the input data rate, allowing multiple choice of input data rate up to 48 kHz, including standard audio rates of 48, 44.1, 32, 16 and 8 kHz.

The DAC section also comprises volume and mute control and can be simultaneously played back directly on the line outputs and through a 32-Ohms stereo headset.



## Power Management and Analog Companions (PMAAC)

## AT73C209 Audio and Power Management



The 32-Ohms pair of stereo-headset drivers also includes a LINEL and LINER channel-mixer pair of stereo inputs.

Every DAC can be powered down separately via internal register control. Each single left or right DAC can be directed in MONO mode to the stereo headset and line outputs while the other is set in off mode.

In addition, a microphone preamplifier with a microphone bias switch is integrated, reducing external ICs and saving board space.

The volume, mute, power down, de-emphasis controls and 16-bit, 18-bit and 20-bit audio formats are digitally programmable via a 4-wire SPI bus and the digital audio data is provided through a multi-format I2S interface.

The Power Management section can tolerate several types of input supply, such as:

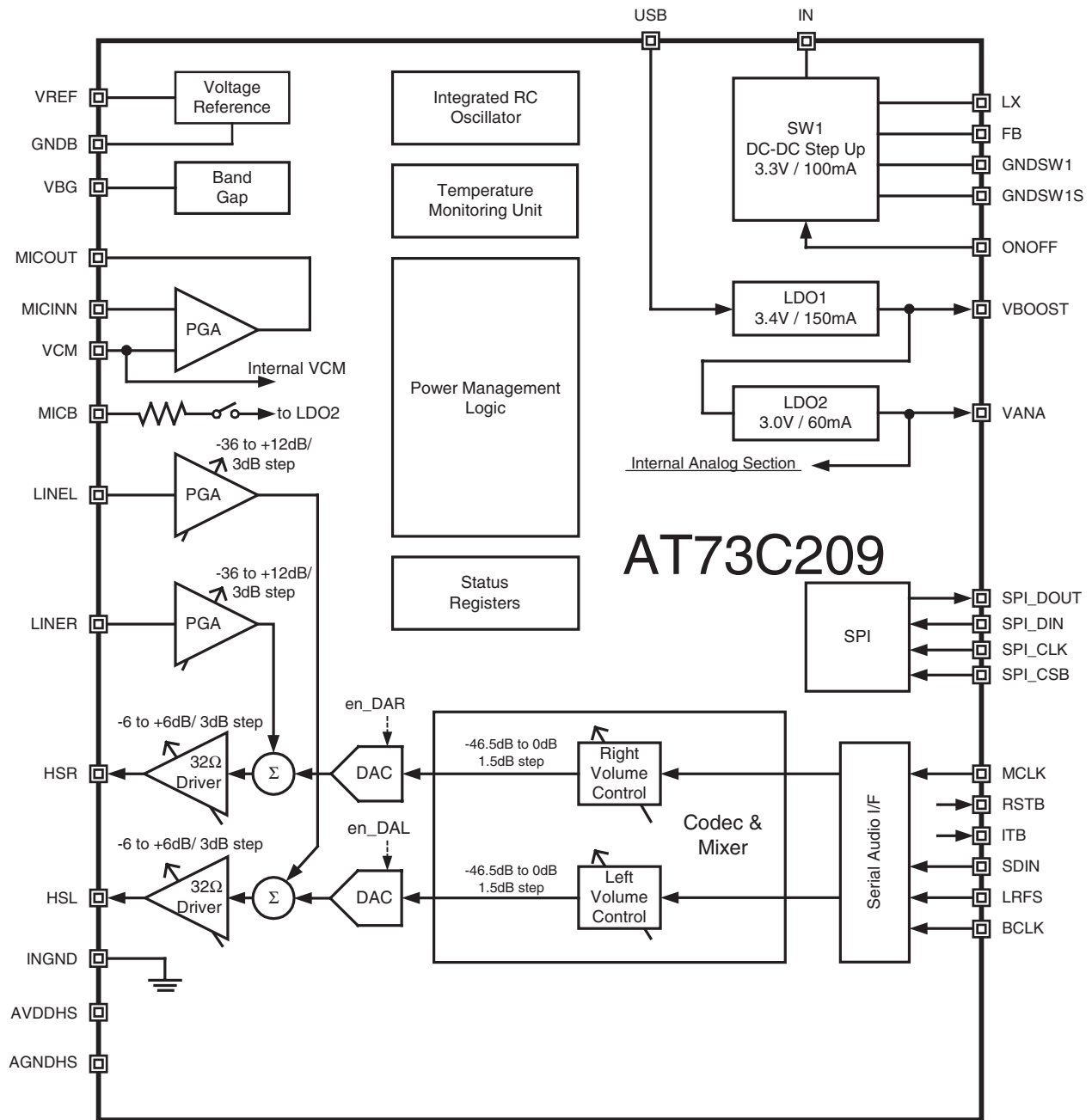
- Battery: voltage is converted to 3.3V via a DC/DC step up converter using 1 external inductor, 1 schottky diode and a capacitor.
  - Disposable AA or AAA size
  - coin cell size, 1 cell, as low as 0.9V for alkaline
- USB: 5V VBUS supply from a USB connector or a Lithium-Ion battery

The Power Management section also includes a set of low dropout (LDO) voltage regulators with different voltages to supply specific chip and analog requirements:

- LDO1 is designed to drive up to 150 mA from a USB port with 9-step programmable output voltages: 2.7V, 2.8V, 2.9V, 3.0V, 3.1V, 3.2V, 3.3V, 3.4V, 3.5V. Default voltage is 3.4V and represents the initial output voltage of LDO1 at start up. When RSTB is activated, the external MCU can change the output voltage via the SPI serial interface. This LDO is designed to supply the complete chip when the device is connected to a USB port.
- LDO2 is designed to drive up to 60 mA from LDO1 with 4-step programmable output voltages: 2.4V, 2.6V, 2.8V, 3.0V with low noise and high PSRR. Default voltage is 3.0V and represents the initial output voltage of LDO2 at start up. When RSTB is activated, the MCU can change the output voltage via the SPI serial interface. This LDO is designed to supply the internal analog section.

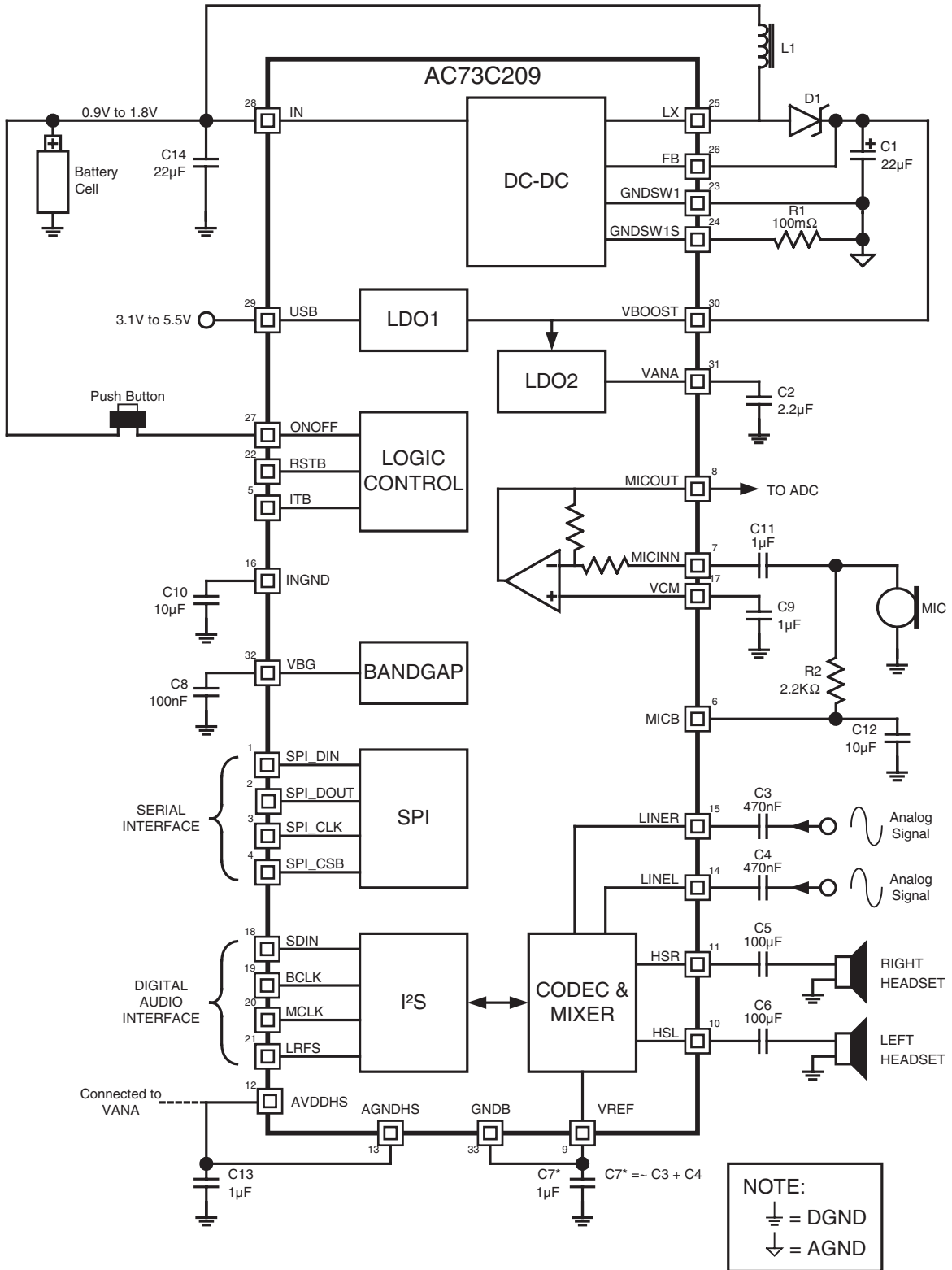
## 2. Block Diagram

Figure 2-1. AT73C209 Functional Block Diagram



### 3. Application Diagram

Figure 3-1. Application Using One Cell Battery



## 4. Components List

Table 4-1. Components List

Reference	Value	Techno	Size	Manufacturer & Reference
C1	22 $\mu$ F	Tantalum	Case A	(AVX) or equivalent
C2	2.2 $\mu$ F / 10V	Ceramic	0603	C1608X5R1A225MT (TDK) or GRM188R61A225 (Murata)
C3	470 nF / 10V	Ceramic	0402	C1005X5R1A474KT (TDK) or GRM155F51A474 (Murata)
C4	470 nF / 10V	Ceramic	0402	C1005X5R1A474KT (TDK) or GRM155F51A474 (Murata)
C5	100 $\mu$ F / 6.3V	Ceramic	1210	C3225X5R0J107MT (TDK) or GRM32ER60J107 (Murata)
C6	100 $\mu$ F / 6.3V	Ceramic	1210	C3225X5R0J107MT (TDK) or GRM32ER60J107 (Murata)
C7	1 $\mu$ F / 6.3V	Ceramic	0402	C1005X5R0J105KT (TDK) or GRM155R60J105 (Murata)
C8	100 nF / 16V	Ceramic	0402	C1005X5R1C104KT (TDK) or GRM155F51C104 (Murata)
C9	1 $\mu$ F / 6.3V	Ceramic	0402	C1005X5R0J105KT (TDK) or GRM155R60J105 (Murata)
C10	10 $\mu$ F / 6.3V	Ceramic	0402	C1608X5R0J106MT (TDK) or GRM188R60G106 (Murata)
C11	1 $\mu$ F / 6.3V	Ceramic	0402	C1005X5R0J105KT (TDK) or GRM155R60J105 (Murata)
C12	10 $\mu$ F / 6.3V	Ceramic	0603	C1608X5R0J106MT (TDK) or GRM188R60G106 (Murata)
C13	1 $\mu$ F / 6.3V	Ceramic	0402	C1005X5R0J105KT (TDK) or GRM155R60J105 (Murata)
C14	22 $\mu$ F / 4V	Ceramic	0805	C2012X5R0J226MT (TDK) or GRM21BR60J226 (Murata)
D1	--	Schottky		MBRA120LT3 (ON Semiconductors) or equivalent
L1	10 $\mu$ H /550mA		1812	NLC453232T-100K-PF (TDK) or LQH43CN100K03 (Murata)
R1	0.1 Ohms	1%	--	in 0805 Case or can be made by PCB tracks
R2	2.2 kOhms	5%	0402	
SW1	Push Button	N/A	N/A	Series DSTMxx (APEM COMPONENTS) or equivalent

## 5. Pin Description

**Table 5-1.** Pin Description

Pin Name	I/O	Pin	Type	Function	Value
SPI_DIN	I	1	Digital	SPI Data Input	0 - VANA
SPI_DOUT	O	2	Digital	SPI Data Output	0 - VANA
SPI_CLK	I	3	Digital	SPI Clock	0 - VANA
SPI_CSB	I	4	Digital	SPI Chip Select	0 - VANA
ITB	O	5	Digital	Open Drain Interruption / Test Analog Signal Output	0 to VANA
MICB	O	6	Analog	Microphone Bias	--
MICINN	I	7	Analog	Microphone Amplifier Input	Half VANA
MICOUT	O	8	Analog	Microphone Amplifier Output	0 to VANA
VREF	O	9	Analog	Voltage Reference Pin For Audio Part	--
HSL	O	10	Analog	Line-out/Headphone Left channel output	0 - AVDDHS
HSR	O	11	Analog	Line-out/Headphone Right channel output	0 - AVDDHS
AVDDHS	I	12	Supply	Headset Amplifier Supply	VANA
AGNDHS	Ground	13	Ground	Headset Amplifier Ground	--
LINEL	I	14	Analog	Line-in, Left channel input	--
LINER	I	15	Analog	Line-in, Right channel input	--
INGND	O	16	Analog	Line-in, virtual signal ground pin for decoupling.	--
VCM	O	17	Analog	Common Mode Reference	Half VANA
SDIN	I	18	Digital	Serial Data Input For Audio Interface	0 - VANA
BCLK	I	19	Digital	Bit Clock Input For Audio Interface	0 - VANA
MCLK	I	20	Digital	Master Clock Input For Audio Interface	0 - VANA
LRFS	I	21	Digital	Audio interface left/right channel synchronization frame pulse	0 - VANA
RSTB	O	22	Digital	Reset Active Low Power	0 - VBOOST
GNDSW1	Ground	23	Ground	SW1 Ground	--
GNDSW1S	I	24	Analog	SW1 Current Sense. Connected to 0.1 Ohms external limiting current sense resistor	--
LX	O	25	Analog	SW1 Inductor Switching Node	--
FB	I	26	Analog	SW1 Feedback	2.7V - 3.5V
ONOFF	I	27	Analog	SW1 Switch On	IN Level
IN	I	28	Supply	Input power supply voltage. Connected to single Alkaline battery	0.9V - 1.8V
USB	I	29	Supply	USB Supply Input	3.1 V to 5.5 V
VBOOST	O	30	Analog	LDO1 Output Voltage	0 to 3.5 V
VANA	O	31	Analog	LDO2 Output Voltage	0 to 3V
VBG	O	32	Analog	Band Gap Voltage	
GNDB	Ground	33	Ground	Analog Ground	--

## 6. Absolute Maximum Ratings

**Table 6-1.** Absolute Maximum Ratings\*

Operating Temperature (Industrial)	-40°C to +85°C
Storage Temperature	-55°C to +150°C
Power Supply Input:	
on Battery Input	-0.3V to +1.8V
on USB Input	-0.3V to +5.5V

\*NOTICE: Stresses beyond those listed under “Absolute Maximum Ratings” may cause permanent damage to the device. This is a stress rating only and functional operation of the device at these or other conditions beyond those indicated in the operational sections of this specification is not implied. Exposure to absolute maximum rating conditions for extended periods may affect device reliability.

## 7. Digital IOs

All the digital IOs: SDIN, BCLK, LRFS, MCLK, RSTB, SPI\_DOUT, SPI\_DIN, SPI\_CLK, SPI\_CSB are referred to as VBOOST.

**Table 7-1.** Digital IOs

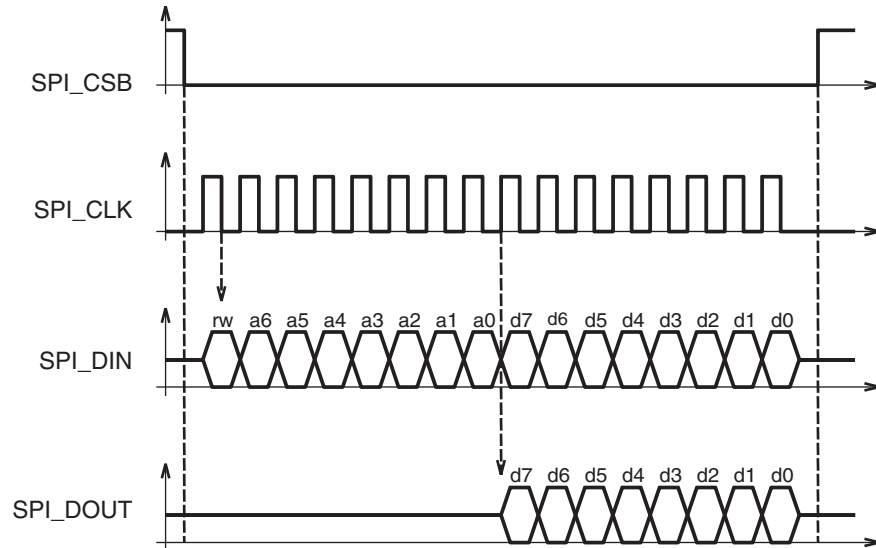
Symbol	Parameter	Conditions	VBOOST	Min	Max	Unit
VIL	Low level input voltage	Guaranteed input low Voltage	2.7V to 3.5V	-0.3	0.2 x VBOOST	V
VIH	High level input voltage	Guaranteed input high Voltage	2.7V to 3.5V	0.8 x VBOOST	VBOOST + 0.3	V
VOL	Low level output voltage	IOL = 2 mA	2.7V to 3.5V	--	0.4	V
VOH	High level output voltage	IOH = 2 mA	2.7V to 3.5V	VBOOST - 0.5V	--	V

## 8. SPI Interface

### 8.1 SPI architecture

The SPI is a 4 wire bi-directional asynchronous serial link. It works only in slave mode. The protocol is the following:

**Figure 8-1.** SPI Protocol Diagram



### 8.2 SPI Protocol

On SPI\_DIN, the first bit is a read/write bit. 0 indicates a write operation while 1 is for a read operation. The 7 following bits are used for the register address and the 8 last ones are the write data. For both address and data, the most significant bit is the first one.

In case of a read operation, SPI\_DOUT provides the contents of the read register, MSB first.

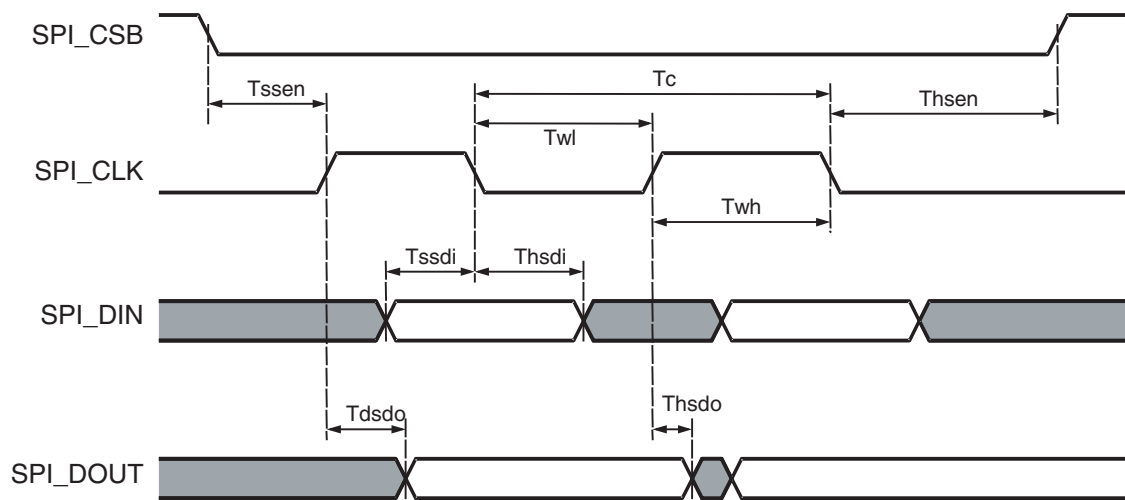
The transfer is enabled by the SPI\_CSB signal, active low. When there is no operation on the SPI interface, SPI\_DOUT is set in high impedance to allow sharing of MCU serial interface with other devices. The interface is reset at every rising edge of SPI\_CSB in order to return to an idle state, even if the transfer does not succeed. The SPI is synchronized with the serial clock SPI\_CLK. Falling edge latches SPI\_DIN input and rising edge shifts SPI\_DOUT output bits.

Note that MCLK (Audio Interface Master Clock Input) must run during any SPI write access registers (from address 0x00 to 0x0C).



### 8.3 Timing Diagram for SPI Interface

Figure 8-2. SPI Timing Diagram



### 8.4 SPI Timing

Table 8-1. SPI Timing Table

Timing Parameter	Description	Min	Max
Tc	SPI_CLK min period	150 ns	--
Twl	SPI_CLK min pulse width low	50 ns	--
Twh	SPI_CLK min pulse width high	50 ns	--
Tssen	Setup Time SPI_CSb falling to SPI_CLK rising	50 ns	--
Thsen	Hold Time SPI_CLK falling to SPI_CSb rising	50 ns	--
Tssdi	Setup Time SPI_DIN valid to SPI_CLK falling	20 ns	--
Thsdi	Hold Time SPI_CLK falling to SPI_DIN not valid	20 ns	--
Tdsdo	Delay Time SPI_CLK rising to SPI_DOUT valid	--	20 ns
Thsdo	Hold Time SPI_CLK rising to SPI_DOUT not valid	0 ns	--

### 8.5 SPI Register Tables

Table 8-2. SPI Register Mapping

Offset	Register	Name	Access	Reset
0x00	DAC_CTRL	DAC Control	Read/Write	0x00
0x01	DAC_LLIG	DAC Left Line in Gain	Read/Write	0x05
0x02	DAC_RLIG	DAC Right Line in Gain	Read/Write	0x05
0x03	DAC_LPMG	DAC Left Master Playback Gain	Read/Write	0x08
0x04	DAC_RPMG	DAC Right Master Playback Gain	Read/Write	0x08

**Table 8-2.** SPI Register Mapping (Continued)

Offset	Register	Name	Access	Reset
0x05	DAC_LLOG	DAC Left Line Out Gain	Read/Write	0x00
0x06	DAC_RLOG	DAC Right Line Out Gain	Read/Write	0x00
0x07	DAC_OLC	DAC Output Level Control	Read/Write	0x22
0x08	DAC_MC	DAC Mixer Control	Read/Write	0x09
0x09	DAC_CSFC	DAC Clock and Sampling Frequency Control	Read/Write	0x00
0x0A	DAC_MISC	DAC Miscellaneous	Read/Write	0x02
0x0C	DAC_PRECH	DAC Precharge Control	Read/Write	0x00
0x10	DAC_RST	Dac Reset	Read/Write	0x00
0x11	MISC_STATUS	USB and Headset Short Status	Read Only	0x00
0x12	INT_MASK	Interrupt Mask	Read/Write	0x00
0x14	REG_CTRL	Regulators Control	Read/Write	0x00
0x15	SW_CTRL	Switcher Control	Read/Write	0x00
0x17	MIC_CTRL	Microphone Amplifier Control	Read/Write	0x00
0x20	DC_SEL_VOUT	DC/DC Output Voltage Control	Read/Write	DC_SEL_VOUT = 00

## 8.5.1 DAC Control Register

**Register Name:** DAC\_CTRL  
**Access Type:** Read/Write  
**Address:** 0x00

7	6	5	4	3	2	1	0
RSRV1	RSRV2	ONDACR	ONDACL	ONLNOR	ONLNOL	ONLNIR	ONLNIL

Register (0x00): DAC Control

Bit	Name	Description	Reset Value
0	ONLNIL	Left channel line in amplifier (L to power down, H to power up)	ONLNIL = 0
1	ONLNIR	Right channel line in amplifier (L to power down, H to power up)	ONLNIR = 0
2	ONLNOL	Left channel line out driver (L to power down, H to power up)	ONLNOL = 0
3	ONLNOR	Right channel line out driver (L to power down, H to power up)	ONLNOR = 0
4	ONDACL	Left channel DAC (L to power down, H to power up)	ONDACL = 0
5	ONDACR	Right channel DAC (L to power down, H to power up)	ONDACR = 0
6	RSRV2	Reserved Bit	0
7	RSRV1	Reserved Bit	0

### 8.5.2 DAC Left Line In Gain Register

**Register Name:** DAC\_LLIG  
**Access Type:** Read/Write  
**Address:** 0x01

7	6	5	4	3	2	1	0
RSRV1	RSRV2	RSRV3	LLIG				

Register (0x01): Left Line In Gain

Bit	Name	Description	Reset Value
4:0	LLIG<4:0>	Left channel line in analog gain selector	LLIG<4:0>=00101 (0dB)
7:5	RSRV<1:3>	Reserved Bits	000

LLIG<4:0>	Gain	Unit	LLIG<4:0>	Gain	Unit
00000	20	dB	01001	-12	dB
00001	12	dB	01010	-15	dB
00010	9	dB	01011	-18	dB
00011	6	dB	01100	-21	dB
00100	3	dB	01101	-24	dB
00101 (Default)	0	dB	01110	-27	dB
00110	-3	dB	01111	-30	dB
00111	-6	dB	10000	-33	dB
01000	-9	dB	>10001	<-60	dB

### 8.5.3 DAC Right Line In Gain Register

**Register Name:** DAC\_RLIG

**Access Type:** Read/Write

**Address:** 0x02

7	6	5	4	3	2	1	0
RSRV1	RSRV2	RSRV3	RLIG				

Register (0x02): Right Line In Gain

Bit	Name	Description	Reset Value
4:0	RLIG<4:0>	Right channel line in analog gain selector	RLIG<4:0>=00101 (0dB)
7:5	RSRV<1:3>	Reserved Bits	000

RLIG<4:0>	Gain	Unit	RLIG<4:0>	Gain	Unit
00000	20	dB	01001	-12	dB
00001	12	dB	01010	-15	dB
00010	9	dB	01011	-18	dB
00011	6	dB	01100	-21	dB
00100	3	dB	01101	-24	dB
00101 (Default)	0	dB	01110	-27	dB
00110	-3	dB	01111	-30	dB
00111	-6	dB	10000	-33	dB
01000	-9	dB	>10001	<-60	dB



### 8.5.4 DAC Left Master Playback Gain Register

**Register Name:** DAC\_LMPG  
**Access Type:** Read/Write  
**Address:** 0x03

7	6	5	4	3	2	1	0
RSRV1	RSRV2	LMPG					

Register (0x03): Left Master Playback Gain

Bit	Name	Description	Reset Value
5:0	LMPG<5:0>	Left channel master playback digital gain selector	LMPG<5:0>=001000 (0dB)
7:6	RSRV<1:2>	Reserved Bits	00

LMPG<5:0>	Gain	Unit	LMPG<5:0>	Gain	Unit
000000	12	dB	010001	-13.5	dB
000001	10.5	dB	010010	-15	dB
000010	9	dB	010011	-16.5	dB
000011	7.5	dB	010100	-18	dB
000100	6	dB	010101	-19.5	dB
000101	4.5	dB	010110	-21	dB
000110	3	dB	010111	-22.5	dB
000111	1.5	dB	011000	-24	dB
001000 (Default)	0	dB	011001	-25.5	dB
001001	-1.5	dB	011010	-27	dB
001010	-3	dB	011011	-28.5	dB
001011	-4.5	dB	011100	-30	dB
001100	-6	dB	011101	-31.5	dB
001101	-7.5	dB	011110	-33	dB
001110	-9	dB	011111	-34.5	dB
001111	-10.5	dB	>100000	Mute	dB
010000	-12	dB			

## 8.5.5 DAC Right Master Playback Gain Register

**Register Name:** DAC\_RMPG

**Access Type:** Read/Write

**Address:** 0x04

7	6	5	4	3	2	1	0
RSRV1	RSRV2	RMPG					

Register (0x04): Right Master Playback Gain

Bit	Name	Description	Reset Value
5:0	RMPG<5:0>	Right channel master playback digital gain selector	RMPG<5:0>=001000 (6dB)
7:6	RSRV<1:2>	Reserved Bits	00

RMPG<5:0>	Gain	Unit	RMPG<5:0>	Gain	Unit
000000	12	dB	010001	-13.5	dB
000001	10.5	dB	010010	-15	dB
000010	9	dB	010011	-16.5	dB
000011	7.5	dB	010100	-18	dB
000100	6	dB	010101	-19.5	dB
000101	4.5	dB	010110	-21	dB
000110	3	dB	010111	-22.5	dB
000111	1.5	dB	011000	-24	dB
001000	0	dB	011001	-25.5	dB
001001	-1.5	dB	011010	-27	dB
001010	-3	dB	011011	-28.5	dB
001011	-4.5	dB	011100	-30	dB
001100	-6	dB	011101	-31.5	dB
001101	-7.5	dB	011110	-33	dB
001110	-9	dB	011111	-34.5	dB
001111	-10.5	dB	>100000	Mute	dB
010000	-12	dB			



### 8.5.6 DAC Left Line Out Gain Register

**Register Name:** DAC\_LLOG  
**Access Type:** Read/Write  
**Address:** 0x05

7	6	5	4	3	2	1	0
RSRV1		RSRV2		LLOG			

Register (0x05) Left Line Out Gain

Bit	Name	Description	Reset Value
5:0	LLOG<5:0>	Left channel line out digital gain selector	LLOG<5:0>=000000 (0dB)
7:6	RSRV<1:2>	Reserved Bits	00

LLOG<5:0>	Gain	Unit	LLOG<5:0>	Gain	Unit
000000	0	dB	010001	-25.5	dB
000001	-1.5	dB	010010	-27	dB
000010	-3	dB	010011	-28.5	dB
000011	-4.5	dB	010100	-30	dB
000100	-6	dB	010101	-31.5	dB
000101	-7.5	dB	010110	-33	dB
000110	-9	dB	010111	-34.5	dB
000111	-10.5	dB	011000	-36	dB
001000	-12	dB	011001	-37.5	dB
001001	-13.5	dB	011010	-39	dB
001010	-15	dB	011011	-40.5	dB
001011	-16.5	dB	011100	-42	dB
001100	-18	dB	011101	-43.5	dB
001101	-19.5	dB	011110	-45	dB
001110	-21	dB	011111	-46.5	dB
001111	-22.5	dB	>100000	Mute	dB
010000	-24	dB			



## 8.5.7 DAC Right Line Out Gain Register

**Register Name:** DAC\_RLOG

**Access Type:** Read/Write

**Address:** 0x06

7	6	5	4	3	2	1	0
RSRV1	RSRV2	RLOG					

Register (0x06): Right Line Out Gain

Bit	Name	Description	Reset Value
5:0	RLOG<5:0>	Right channel line out digital gain selector	RLOG<5:0>=000000 (0dB)
7:6	RSRV<1:2>	Reserved Bits	00

RLOG<5:0>	Gain	Unit	RLOG<5:0>	Gain	Unit
000000	0	dB	010001	-25.5	dB
000001	-1.5	dB	010010	-27	dB
000010	-3	dB	010011	-28.5	dB
000011	-4.5	dB	010100	-30	dB
000100	-6	dB	010101	-31.5	dB
000101	-7.5	dB	010110	-33	dB
000110	-9	dB	010111	-34.5	dB
000111	-10.5	dB	011000	-36	dB
001000	-12	dB	011001	-37.5	dB
001001	-13.5	dB	011010	-39	dB
001010	-15	dB	011011	-40.5	dB
001011	-16.5	dB	011100	-42	dB
001100	-18	dB	011101	-43.5	dB
001101	-19.5	dB	011110	-45	dB
001110	-21	dB	011111	-46.5	dB
001111	-22.5	dB	>100000	Mute	dB
010000	-24	dB			

### 8.5.8 DAC Output Level Control Register

**Register Name:** DAC\_OLC  
**Access Type:** Read/Write  
**Address:** 0x07

7	6	5	4	3	2	1	0
RSHORT	ROLC			LSHORT	LOLC		

Register (0x07): Output Level Control

Bit	Name	Description	Reset Value
2:0	LOLC<2:0>	Left channel output level control selector	LLOC<2:0>=010 (0dB)
3	LSHORT	Left channel short circuit indicator (Persistent; after being set, bit is not cleared automatically even after the short circuit is eliminated. Must be cleared by reset cycle or direct register write operation.)	LSHORT = 0
6:4	ROLC<6:4>	Right channel output level control selector	ROLC<6:4>=010 (0dB)
7	RSHORT	Right channel short circuit indicator (Persistent; after being set, bit is not cleared automatically even after the short circuit is eliminated. Must be cleared by reset cycle or direct register write operation.)	RSHORT = 0

LOLC<2:0> - ROLC<6:4>	Gain	Unit
000	-6	dB
001	-3	dB
010	0	dB
011	+3	dB
>100	+6	dB

## 8.5.9 DAC Mixer Control Register

**Register Name:** DAC\_MC  
**Access Type:** Read/Write  
**Address:** 0x08

7	6	5	4	3	2	1	0
RSRV1	RSRV2	INVR	INVL	RMSMIN2	RSMIN1	LMSMIN2	LMSMIN1

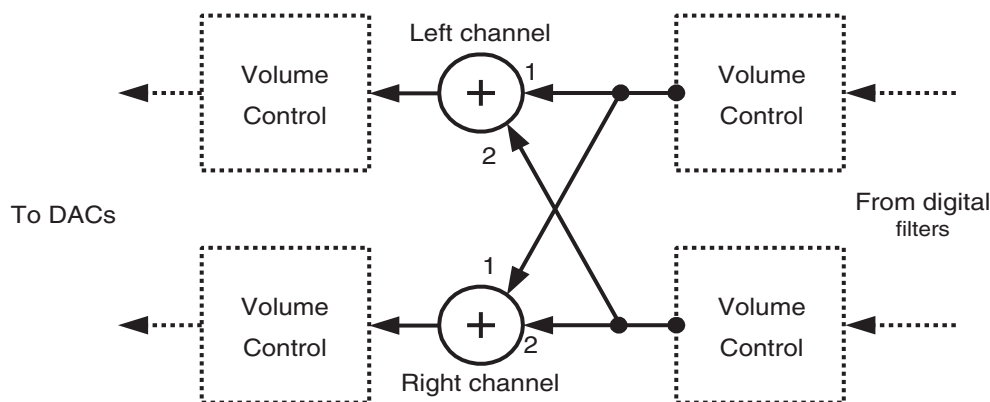
Register (0x08): Mixer Control

Bit	Name	Description	Reset Value
0	LMSMIN1	Left Channel Mono/Stereo Mixer Left Mixed input enable (H to enable, L to disable)	LMSMIN1 = 1
1	LMSMIN2	Left Channel Mono/Stereo Mixer Right Mixed input enable (H to enable, L to disable)	LMSMIN2 = 0
2	RMSMIN1	Right Channel Mono/Stereo Mixer Left Mixed input enable (H to enable, L to disable)	RMSMIN1 = 0
3	RMSMIN2	Right Channel Mono/Stereo Mixer Right Mixed input enable (H to enable, L to disable)	RMSMIN2 = 1
4	INVL	Left channel mixer output invert (H to enable, L to disable)	INVL = 0
5	INVR	Right channel mixer output invert (H to enable, L to disable)	INVR = 0
7:6	RSRV<1:2>	Reserved Bits	00

### • Digital Mixer Control

The Audio DAC features a digital mixer that allows the mixing and selection of multiple input sources.

The mixing/multiplexing functions are described in the figure below:



**Note:** Whenever the two mixer inputs are selected, a -6 dB gain is applied to the output signal. Whenever only one input is selected, no gain is applied.

### 8.5.10 Clock and Sampling Frequency Control Register

**Register Name:** DAC\_CSFC  
**Access Type:** Read/Write  
**Address:** 0x09

7	6	5	4	3	2	1	0
RSRV1	RSRV2	RSRV3	OVRSEL	RSRV4	RSRV5	RSRV6	RSRV7

Register (0x09): Clock and Sampling Frequency Control

Bit	Name	Description	Reset Value
3:0	RSRV<4:7>	Reserved Bits	0000
4	OVRSEL	Master clock selector (L to 256xFs, H to 384xFs)	OVRSEL = 0
7:5	RSRV<1:3>	Reserved Bits	000

- **Master Clock and Sampling Frequency Selection**

The following table describes the modes available for master clock and sampling frequency selection.

OVRSEL	Master Clock
0	256 x Fs
1	384 x Fs

## 8.5.11 DAC Miscellaneous

**Register Name:** DAC\_MISC  
**Access Type:** Read/Write  
**Address:** 0x0A

7	6	5	4	3	2	1	0
RSRV1	RSRV2	DINTSEL		DITHEN	DEEMPEN	NBITS	

Register (0x0A): Miscellaneous

Bit	Name	Description	Reset Value
1:0	NBITS<1:0>	Data interface word length	NBITS<1:0>=10
2	DEEMPEN	De-emphasis enable (L to disable, H to enable)	DEEMPEN = 0
3	DITHEN	Dither enable (L to disable, H to enable)	DITHEN = 0
5:4	DINTSEL<5:4>	I2S data format selector	DINTSEL<5:4>=00
7:6	RSRV<1:2>	Reserved Bits	00

### • Interface Word Length

The selection of input sample size is done using the nbits<1:0> register according to the following table:

NBITS<1:0>	Format
00	16 bits
01	18 bits
10	20 bits

### • De-emphasis and Dither Enable

The circuit features a de-emphasis filter for the playback channel. To enable the de-emphasis filtering the deemphen signal must be set to high.

Likewise, the dither option (added in the playback channel) is enabled by setting the dithen signal to High.

### • I2S Data Format Selector

The selection between modes is done using the dintsel<1:0> signal according to the following table:

DINTSEL<5:4>	Format
00	I2S Justified
01	MSB Justified
10	LSB Justified



### 8.5.12 DAC Precharge

**Register Name:** DAC\_PRECH  
**Access Type:** Read/Write  
**Address:** 0x0C

7	6	5	4	3	2	1	0
RSRV1	RSRV2	PRCHGLNOR	PRCHGLNOL	PRCHGLNIR	PRCHGLNIL	PRCHG	ONMSTR

Register (0x0C): Pre-Charge Control

Bit	Name	Description	Reset Value
0	ONMSTR	Master power on control (L: power down, H: power up)	ONMSTR = 0
1	PRCHG	Master pre-charge (H to charge)	PRCHG = 0
2	PRCHGLNIL	Left channel line in pre-charge (H to charge)	PRCHGLNIL = 0
3	PRCHGLNIR	Right channel line in pre-charge (H to charge)	PRCHGLNIR = 0
4	PRCHGLNOL	Left channel line out pre-charge (H to charge)	PRCHGLNOL = 0
5	PRCHGLNOR	Right channel line out pre-charge (H to charge)	PRCHGLNOR = 0
7:6	RSRV<1:2>	Reserved Bits	00

### 8.5.13 DAC Reset

**Register Name:** DAC\_RST  
**Access Type:** Read/Write  
**Address:** 0x10

7	6	5	4	3	2	1	0
RSRV1	RSRV2	RSRV3	RSRV4	RSRV5	UNCHANGE	RESFILZ	RSTZ

Register (0x10): DAC Reset

Bit	Name	Description	Reset Value
0	RSTZ	Active low reset of the audio codec	RSTZ = 0
1	RESFILZ	Active low reset of the audio codec filter	RESFILZ = 0
2	UNCHANGE	This Register Bit could not be changed	UNCHANGE = 0
7:3	RSRV<1:5>	Reserved Bits	00000

Note: It's important to never change bit 2. It must stay at 0 (low state).

## 8.5.14 DAC Miscellaneous Status

**Register Name:** MISC\_STATUS  
**Access Type:** Read-Only  
**Address:** 0x11

7	6	5	4	3	2	1	0
RSRV1	RSRV2	RSRV3	RSRV4	RSRV5	RSRV6	USBOK	HSSHORT

Register (0x11): Miscellaneous Status

Bit	Name	Description	Reset Value
0	HSSHORT	Headset Short Flag	HSSHORT = 0
1	USBOK	USB Supply Flag	USBOK = 0
7:2	RSRV<1:6>	Reserved Bits	000000

## 8.5.15 Interrupt Mask: INT\_MASK (0x12)

**Register Name:** MISC\_STATUS  
**Access Type:** Read/Write  
**Address:** 0x12

7	6	5	4	3	2	1	0
RSRV1	RSRV2	RSRV3	RSRV4	RSRV5	USBFMSK	USBRMSK	HSSMSK

Register (0x12): Interrupt Mask

Bit	Name	Description	Reset Value
0	HSSMSK	Headset short interrupt mask (1 to enable interrupt)	HSSMSK = 0
1	USBRMSK	USB supply rising interrupt mask (1 to enable interrupt)	USBRMSK = 0
2	USBFMSK	USB supply falling interrupt mask (1 to enable interrupt)	USBFMSK = 0
7:3	RSRV<1:5>	Reserved Bits	00000

### 8.5.16 Regulator Control

**Register Name:** REG\_CTRL  
**Access Type:** Read/Write  
**Address:** 0x14

7	6	5	4	3	2	1	0
RSRV1	ONVANA	SELVANA		SELVBOOST			

Register (0x14) Regulators Control

Bit	Name	Description	Reset Value
3:0	SELVBOOST<3:0>	LDO1 VBOOST regulator output voltage selection	SELVBOOST<3:0>=0000 (3.4 V)
5:4	SELVANA<1:0>	LDO2 VANA regulator output voltage selection	SELVANA<1:0>=00 (2.8 V)
6	ONVANA	LDO2 VANA regulator enable (active high)	ONVANA = 0
7	RSRV1	Reserved Bit	0

#### • SELVBOOST

SELVBOOST<3:0>	Output Value
x001	2.7 V
x010	2.8 V
x011	2.9 V
x100	3.0 V
x101	3.1 V
x110	3.2 V
x111	3.3 V
0000	3.4 V
1000	3.5 V

#### • SELVANA

SELVANA<1:0>	Output Value
00	2.8 V
01	2.6 V
10	3.0 V
11	2.4 V

#### • ONVANA

ONVANA	VANA Output
0	High Impedance
1	Enable



### 8.5.17 Switcher Control

**Register Name:** SW\_CTRL  
**Access Type:** Read/Write  
**Address:** 0x15

7	6	5	4	3	2	1	0
RSRV1	RSRV2	RSRV3	RSRV4	RSRV5	RSRV6	RSRV7	UPONOFF

Register (0x15): Switcher Control

Bit	Name	Description	Reset Value
0	UPONOFF	Microprocessor ON/OFF (1 to enable SW1)	UPONOFF = 0
7:1	RSRV<1:7>	Reserved Bits	0000000

### 8.5.18 Microphone Amplifier Control

**Register Name:** MIC\_CTRL  
**Access Type:** Read/Write  
**Address:** 0x17

Read/Write

7	6	5	4	3	2	1	0
RSRV1	RSRV2	RSRV3	RSRV4	RSRV5	RSRV6	ONAMP	ONMIC

Register (0x17): Microphone Amplifier Control

Bit	Name	Description	Reset Value
0	ONMIC	Microphone bias enable, active high	ONMIC = 0
1	ONAMP	Microphone amplifier enable, active high	ONAMP = 0
7:2	RSRV<1:6>	Reserved Bits	000000

### 8.5.19 DC/DC Output Voltage Control

**Register Name:** DC\_SEL\_VOUT  
**Access Type:** Read/Write  
**Address:** 0x20

Read/Write

7	6	5	4	3	2	1	0
RSRV1	RSRV2	RSRV3	DC_SEL_VOUT		RSRV4	RSRV5	RSRV6

Register (0x20): DC/DC Output Voltage Control

Bit	Name	Description	Reset Value
2:0	RSRV<4:6>	Reserved Bits and Never Change value	Don't Change
4:3	DC_SEL_VOUT<4:3>	DC/DC Output Voltage Control	DC_SEL_VOUT = 00 (3.3V)
7:5	RSRV<1:3>	Reserved Bits and Never Change value	Don't Change

#### • DC\_SEL\_VOUT

DC_SEL_VOUT<4:3>	Output Value
00	3.3 V
01	2.6 V
10	2.8 V
11	3.0 V

Notes: 1. **Important:** In the Register 0x20, only the Bits #4 and #3 can be modified. The others bits should keep there initial values.

It's important to apply the sequence as follows:

- Read The register 0x20
- Copy the values
- Only modify the bits #4 and #3 of DC\_SEL\_VOUT
- Write the register 0x20

2. It's important to have an output voltage correlation between DC/DC output and VBOOST\_LDO output. The correlation should be as shown in [Table 8-3](#) that follows:

**Table 8-3.** DC/DC Output Voltage vs. VBOOST LDO Output Voltage

Reg	DC_SEL_VOUT<4:3>	Output Value	Reg	SELVBOOST<3:0>	Output Value
0x20	01	2.6 V	0x14	Min - x001	2.7 V
				Up to	
				Max - 1000	3.5 V
	10	2.8 V		Min - x011	2.9 V
				Up to	
				Max - 1000	3.5 V
	11	3.0 V		Min - x101	3.1 V
				Up to	
				Max - 1000	3.5 V
	00	3.3 V		Min - 0000	3.4V
				Up to	
				Max - 1000	3.5 V

## 9. Power Supplies

### 9.1 DC to DC Boost Converter (SW1)

#### 9.1.1 Features

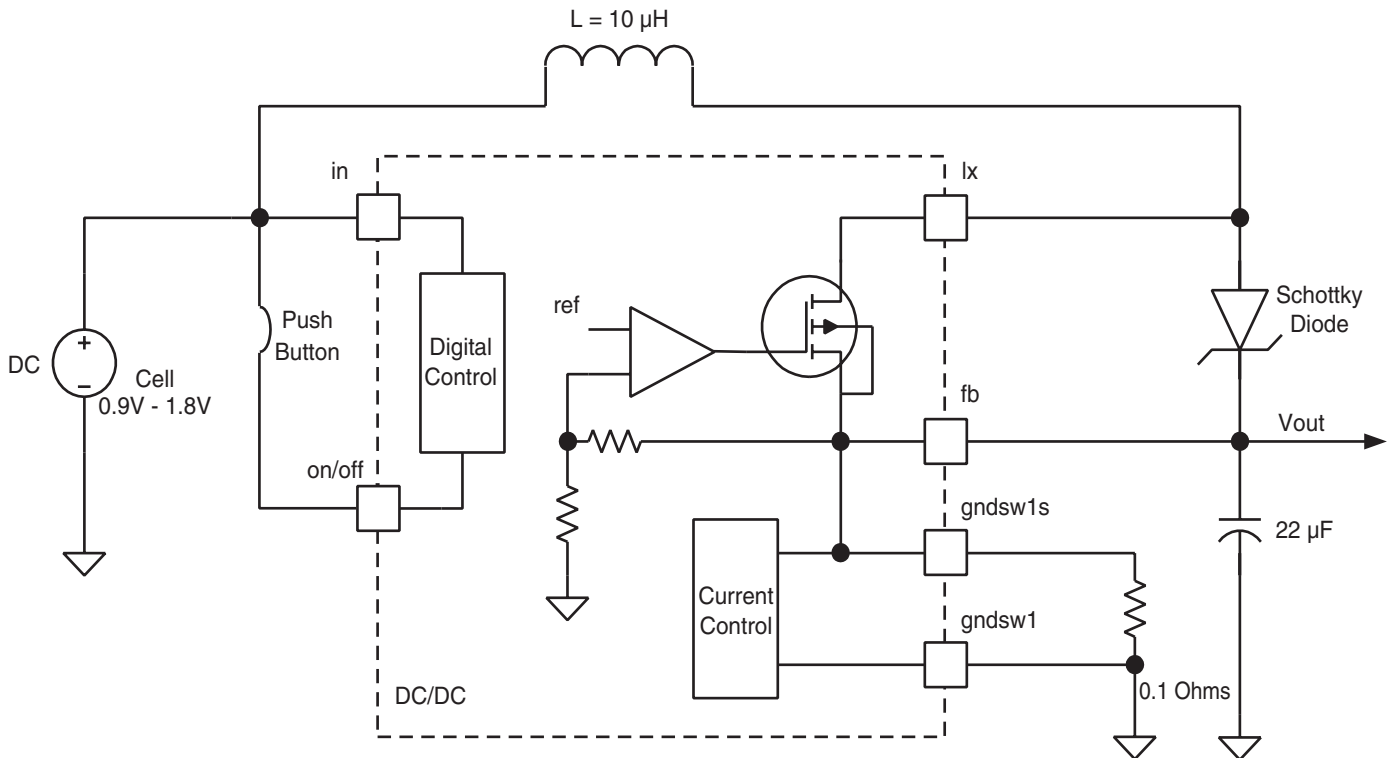
- **Input Voltage Range: 0.9V to 1.8V (Single Alkaline Battery)**
- **From 0 to 100 mA Maximum Output Current When Started**
- **4 Programmable Output Voltages, 2.6V, 2.8V, 3.0V and 3.3V (Default Value).**
- **Peak Efficiency with 50 mA Output Current**
- **Overcurrent Protection Through External Resistor**

#### 9.1.2 Description

- DCDC is a high-efficiency DC/DC boost converter designed for single cell alkaline batteries found in PDA's, MP3 players, and other handheld portable devices. It can work with battery voltage as low as 0.9V, and lower than 1.8V.
- The Boost Converter is optimized for current load of 50 mA and 3.3V output voltage. It includes a low resistive 0.2 Ohms N-channel power switch, a start-up oscillator, and an integrated current limitation. In particular, this current limitation can be achieved using a low-value 100 mOhms external resistor.

#### 9.1.3 Functional Diagram and Typical Application

**Figure 9-1.** DC/DC Typical Application Diagram



## 9.1.4 Electrical Specifications

### Conditions

L = 10  $\mu$ H (0.1 Ohms ESR)

C = 22 $\mu$ F (0.1 Ohm ESR)

Schottky Diode: MBRA120LT3

IN = 1.2V

OUT = 0mA-100mA

-40°C <TA < +85°C

FB = + 3.3V, typical values at 27°C unless otherwise noted.

.No load current in start-up phase (load resistor higher than 10 KOhms).

**Table 9-1.** DC to DC Boost Converter (SW1)Electrical Characteristics

Symbol	Parameter	Conditions	Min	Typ	Max	Unit
I <sub>N</sub>	Input Voltage		0.9	1.2	1.8	V
V <sub>FB</sub>	Output Voltage	DC_SEL_VOUT = 00	3.10	3.3	3.45	V
I <sub>SD</sub>	Shutdown Current	DC/DC is Off			10	$\mu$ A
I <sub>L</sub>	Inductor Current Limitation	IN = 1.2V, V <sub>FB</sub> > 2.4V		600		mA
I <sub>c</sub>	Output Current			50	100	mA
t <sub>START</sub>	Start Up Time	I <sub>N</sub> = 1.2V, V <sub>FB</sub> = 0.95 * 3.3 From disabled to enabled RLOAD = 10 kOhms		5		ms
R <sub>NMOS</sub>	NMOS switch resistance	V <sub>FB</sub> = 3.3V		0.2		Ohms
Yield	Power efficiency	Load of 3 mA and I <sub>N</sub> = 1.2V	45	50		%
		Load of 50 mA and I <sub>N</sub> = 1.2V	65	70		
		Load of 100 mA and I <sub>N</sub> = 1.2V	65	70		
t <sub>R_LOAD</sub>	Transient Load Regulation	I <sub>N</sub> = 1.2V, I <sub>out</sub> = 0 to 100 mA in 0.5 $\mu$ s		30		mV
F <sub>RIPP</sub>	Frequency Ripple	Load of 10 mA, I <sub>N</sub> = 1.2V V <sub>FB</sub> = 3.3V and 100 mOhms Rsense		30		mV
		Load of 50 mA, I <sub>N</sub> = 1.2V V <sub>FB</sub> = 3.3V and 100 mOhms Rsense		50		
		Load of 100mA, I <sub>N</sub> = 1.2V V <sub>FB</sub> = 3.3V and 100 mOhms Rsense		60		

## 9.1.5 Control Modes

### FB Voltage Selection

- The FB voltage can be selected with DC\_SEL\_VOUT<4:3>, according to the following table. When DCDC starts SEL\_VOUT must be set to <00>.
- The FB voltage can be modified by changing bits 4 and 3 of the register 0x20. It's important to only modify this two bits in this register. (see § 8.5.19 for the sequence)

**Table 9-2.** Control Modes

DC_SEL_VOUT<4:3>	Minimum Output Value	Output Value	Maximum Output Value
00 (default)	3.10V	3.3V	3.45V
01	2.52V	2.6V	2.66V
10	2.67V	2.8V	2.88V
11	2.82V	3.0V	3.10V

### 9.1.6 Typical Performance Characteristics

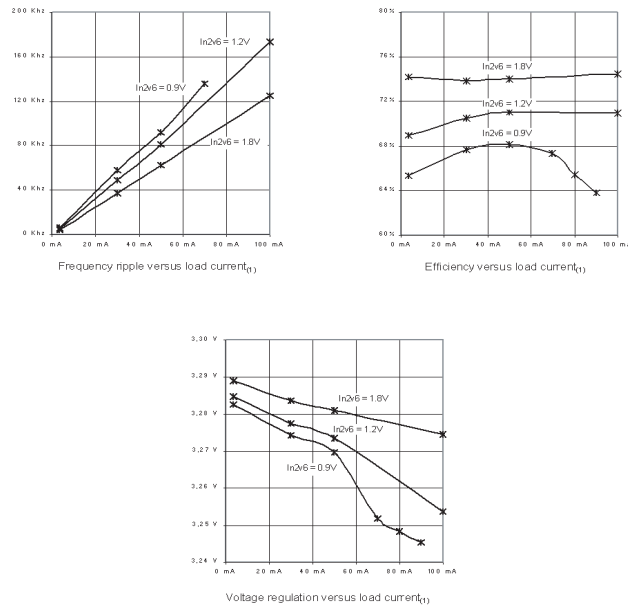
Typical condition means:

Typical process conditions  $I_N = 1.2V$  and  $I_{LOAD} = 50\text{ mA}$

$V_{FB} = 3.3V$

Recommended external components

**Figure 9-2.** Spice Simulation Results



## 9.2 LDO1: 3.3V From USB Port

### 9.2.1 Features

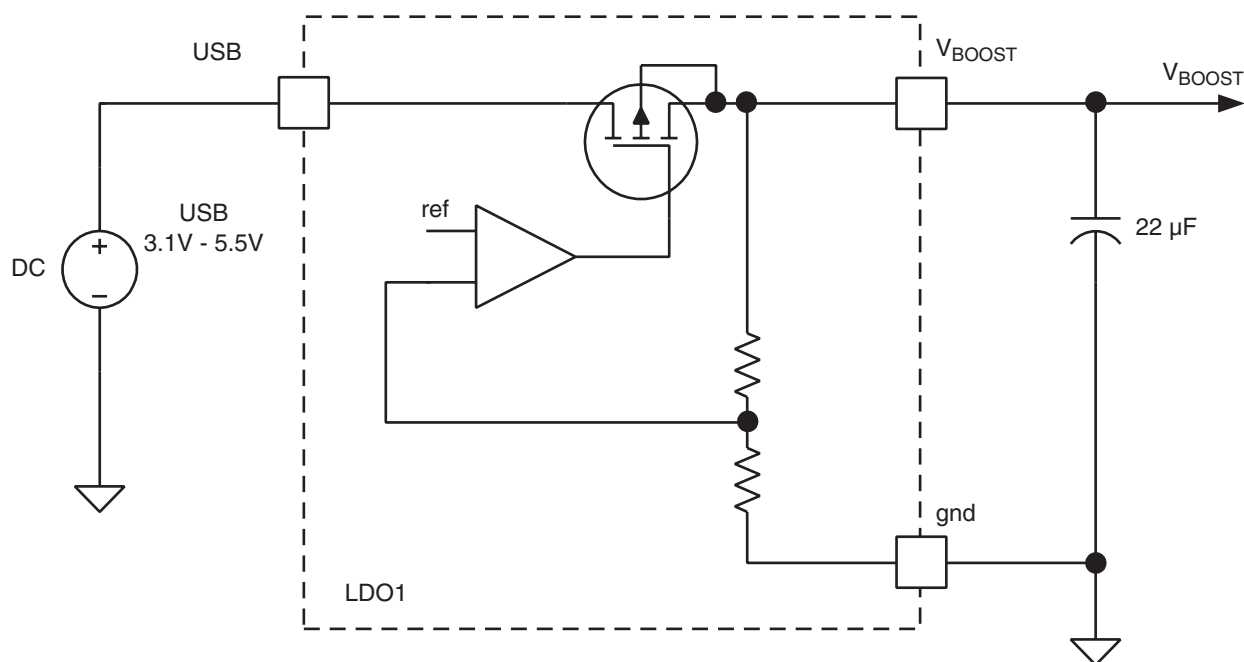
- Stand Alone Voltage Regulator with Internal Bandgap Voltage Generator
- 2.7V, 2.8V, 2.9V, 3.0V, 3.1V, 3.2V, 3.3V, 3.4V and 3.5V Programmable Output Voltages and 150 mA of Max Load Current
- 4.5V to 5.5V Supply Voltage
- 3.1V to 5.5V Supply Voltage for 2.7V and 2.9V output voltage

### 9.2.2 Description

LDO1 is a low drop out voltage regulation module that can be used to provide 9-step programmable output voltages and 150 mA of maximum load current. It is designed to be integrated with other analog cells, digital logic, microcontrollers, DSP cores, and memory blocks into system-on-chip products. An internal reference voltage (bandgap voltage) is provided to the regulator, so only a compensation capacitor connected at the output node versus ground is needed for correct operations.

### 9.2.3 Functional Diagram and Typical Application

Figure 9-3. LDO1 Typical Application Diagram



### 9.2.4 Electrical Specifications

Table 9-3. LDO1 Electrical Specifications

Symbol	Parameter	Conditions	Min	Typ	Max	Unit
$V_{DD}$	Operating Supply Voltage	3.1V operation required (Li-Ion Battery)	3.1	--	5.5	V
$t_J$	Temperature Range		-20	--	125	°C

**Table 9-3.** LDO1 Electrical Specifications (Continued)

Symbol	Parameter	Conditions	Min	Typ	Max	Unit
V <sub>OUT</sub>	Output Voltage	Programmed @ 3.5V	3.45	3.5	3.55	V
		Programmed @ 3.4V	3.35	3.4	3.45	
		Programmed @ 3.3V	3.25	3.3	3.35	
		Programmed @ 3.2V	3.15	3.2	3.25	
		Programmed @ 3.1V	3.05	3.1	3.15	
		Programmed @ 3.0V	2.95	3.0	3.05	
		Programmed @ 2.9V	2.85	2.9	2.95	
		Programmed @ 2.8V	2.75	2.8	2.85	
	Programmed @ 2.7V	2.65	2.7	2.75		
I <sub>O</sub>	Output Current		--	--	150	mA
I <sub>LIMIT</sub>	Current Limit		300	500	800	mA
I <sub>Q</sub>	Quiescent Current		--	40	60	μA
ΔV <sub>DC</sub>	Line Regulation	3.1V < V <sub>DD</sub> < 5.5V; I <sub>Load</sub> = 150 mA	--	--	15	mV
ΔV <sub>DC</sub>	Load Regulation	V <sub>DD</sub> = 5V; I <sub>Load</sub> = 0 to 150 mA	--	--	10	mV
V <sub>NOISE</sub>	Output Noise	I <sub>Load</sub> = 150 mA; BW: 10 Hz - 100 kHz	--	--	1	mVrms
t <sub>R</sub>	Rise Time		--	--	700	μs
I <sub>SD</sub>	Shut Down Current	On = 0	--	--	1	μA
PSRR	Power Supply Rejection Ratio	@ f = 200 Hz	28	40	48	dB
		@ f = 20 kHz	8	12	19	dB

### 9.2.5 Control Modes - Enable/Disable

The LDO is enabled by applying a voltage on the USB pin. It is automatically disabled by removing the USB supply.

### 9.2.6 Output Voltage Selection

The VBOOST voltage can be modified by changing SELVBOOST<3:0> of the register 0x14. (See [Section 8.5.16 "Regulator Control"](#).)

**Table 9-4.** LDO Output Voltage Selection

SELVBOOST<3:0>	Output Voltage
x001	2.7 V
x010	2.8 V
x011	2.9 V
x100	3.0 V
x101	3.1 V
x110	3.2 V
x111	3.3 V
0000	3.4 V
1000	3.5 V



## 9.3 LDO2: 2.4V to 3.0V for Internal Analog Section Supply

### 9.3.1 Features

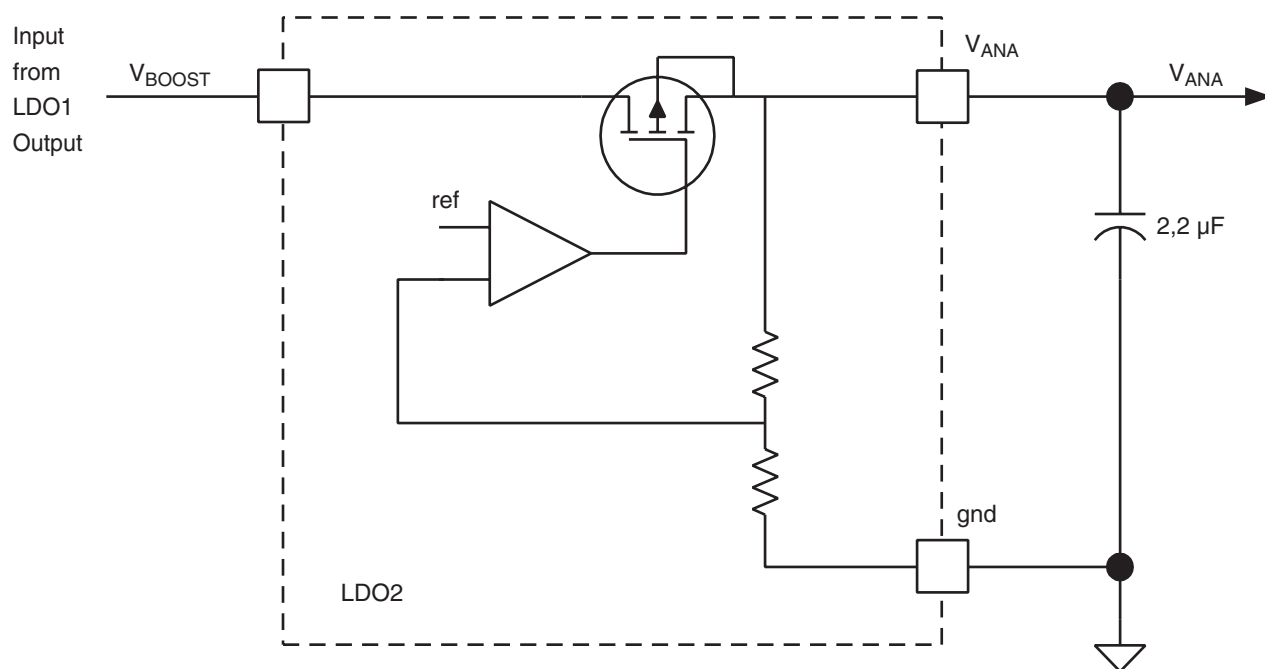
- Low Noise Low Drop Out Voltage Regulator
- 2.4V to 3V Programmable Output Voltage
- 2.7V to 3.5V Supply Operation ( $V_{ANA} = 2.4V, 2.6V, 2.8V$ )
- 3.2V to 3.5V Supply Operation ( $V_{ANA} = 3V$ )
- 60mA of Max Load Current
- Power-down Mode (Consumption  $<1mA$ )
- Typical cUrrent Consumption 195  $\mu A$

### 9.3.2 Description

LDO2 is a Low Drop Out (LDO) voltage regulator with a programmable 2.4V to 3V output voltage, rated for loads up to 20 mA. The circuit comprises a PMOS pass device, an error amplifier, a feedback resistive network sized to have closed loop gain. These blocks constitute the regulating loop. A 2-bit decoder allows controlling the programmable output voltage. Available output voltages are 2.4V, 2.6V, 2.8V and 3V. An over-current and short-circuit protection circuit has been included to limit the output current delivered by the regulator, thus avoiding its destruction in short circuit configuration. An external reference voltage (bandgap voltage) is needed. The target reference voltage is 1.231V delivered. A ceramic or low ESR tantalum capacitor is needed (2.2  $\mu F$  minimum value) as external compensation.

### 9.3.3 Functional Diagram and Typical Application

Figure 9-4. LDO2 Typical Application Diagram



### 9.3.4 Electrical Specifications

**Table 9-5.** General Power Supply Parameters

Parameter	Symbol	Conditions	Min	Typ	Max	Unit
Operating Supply Voltage (#1)	$V_{\text{BOOST2}}$	$V_{\text{BOOST2}} - V_{\text{ANA}} \geq 0.2\text{V}$	2.7	3.2	3.5	V
Operating Supply Voltage (#2)	$V_{\text{BOOST2}}$	$V_{\text{BOOST2}} - V_{\text{ANA}} \geq 0.2\text{V}$	3.2	3.3	3.5	V
Output Current	$I_{\text{C}}$	For all Sel<1:0> conditions	--	40	60	mA
Output Noise	$V_{\text{NOISE}}$	BW: 10 Hz to 100 kHz, Sel <10> = xx	--	--	70	$\mu\text{Vrms}$

**Table 9-6.** LDO2 Parameters

Parameter	Symbol	Conditions	Min	Typ	Max	Unit
Output Voltage	$V_{\text{ANA}}$	Sel <10> = 00	2.75	2.8	2.85	V
		Sel <10> = 01	2.55	2.6	2.65	
		Sel <10> = 10	2.95	3.0	3.05	
		Sel <10> = 11	2.35	2.4	2.45	
Quiescent Current	$I_{\text{C}}$	Worst case $V_{\text{BOOST2}} = 3.0\text{V}$ ,	179	189	300	$\mu\text{A}$
Line Regulation	$\Delta V_{\text{ANA}}$	$V_{\text{BOOST2}}$ : 3.1 V to 3.5V, $I_{\text{OUT}} = 2.0\text{mA}$	--	--	10	mV
Load Regulation	$\Delta V_{\text{ANA}}$	10% - 90% $I_{\text{OUT}}$ $V_{\text{BOOST2}} = 3.3\text{V}$	--	--	10	mV
Rise Time	$t_{\text{C}}$	10% - 90% $V_{\text{ANA}}$ $R_{\text{LOAD}} = 120\ \Omega$ $C_{\text{LOAD}} = 2.2\ \mu\text{F}$ worst case @ $V_{\text{BOOST2}} = 3\text{V}$	--	--	10	$\mu\text{s}$
Shut Down Current	$I_{\text{SD}}$	On = 0	--	140	--	nA
Power Supply Rejection Ratio	PSRR	Band Pass: 0 Hz to 500 kHz $I_{\text{OUT}} = 10\ \text{mA}$ worst case @ $V_{\text{BOOST2}} = 3.2\text{V}$	34	--	--	dB
		DC	54	--	--	dB
		20 kHz	53	--	--	dB
		100 kHz	45	--	--	dB

### 9.3.5 Control Modes - Truth Table

**Figure 9-5.** The LDO2 can be enabled and disabled by activating the bit #6 (ONVANA) on the register 0x14. (See [Section 8.5.16 "Regulator Control"](#))

**Table 9-7.** LDO2 Activation

ONVANA (bit #6)	VANA Output
0	Power Down (HiZ)
1	Power On

All digital signals are referred to the supply voltage VBOOST.

### 9.3.6 Output Voltage Selection

The VANA voltage can be modified by changing the value of SELVANA<5:4> of the register 0x14. (See [Section 8.5.16 “Regulator Control”](#))

**Table 9-8.** LDO2 Output Voltage Selection

SELVANA<5:4>	Output Values
00	2.8 V
01	2.6 V
10	3.0 V
11	2.4 V

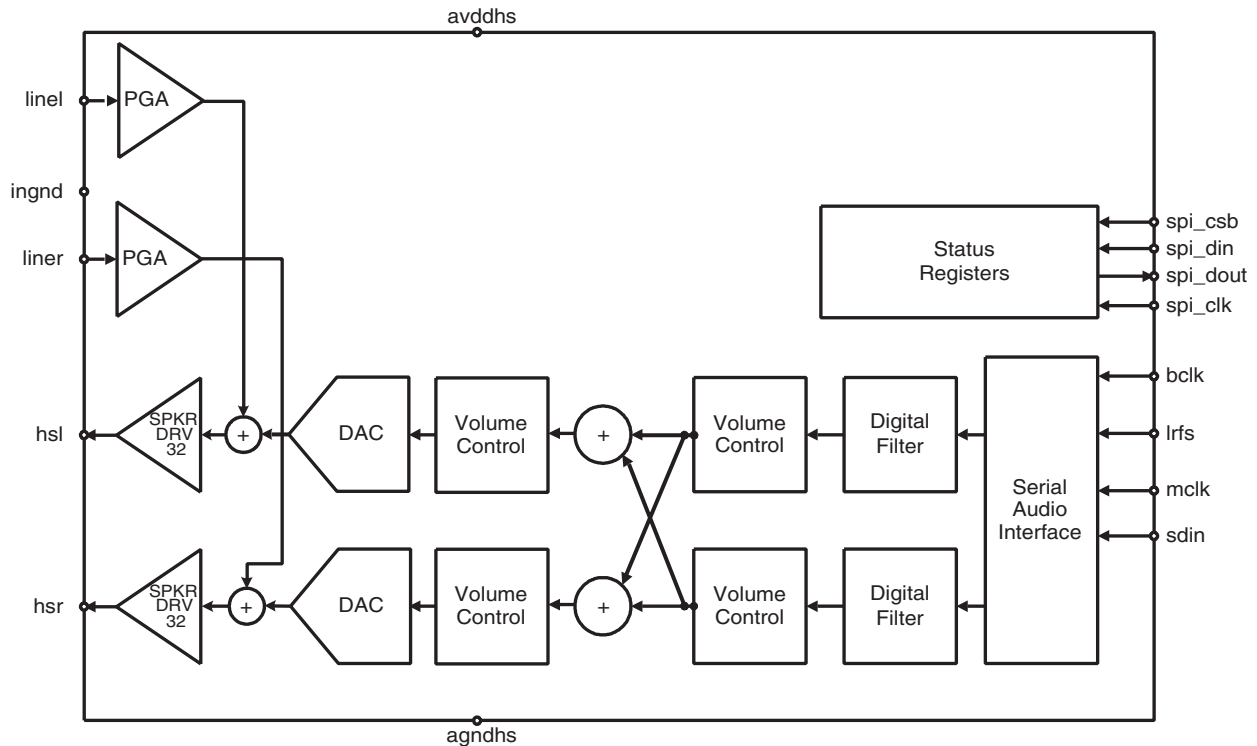
## 10. Audio DAC

### 10.1 Description

The Audio DAC IP core includes the functions of Stereo D-to-A conversion, channel filtering, line-in/microphone and line-out/headphone interfacing with integrated short-circuit detection. Oversampling sigma delta technology is used in the D-to-A conversion. The channel filters are implemented digitally, embedded in the interpolation filters associated with the converter. Stereo single-ended interfaces are available for line-in/microphone and line-out/headphone connections. Mono differential interfaces are available for auxiliary input amplifier and PA driver. The line-out/headphone amplifier can drive an external load of 32 Ohms with 20 mWrms. The line-in/microphone amplifier has an input range of 70 mVrms at maximum gain. The data port is I2S serial at 8 to 48kHz. In full power-down mode the standby current consumption is less than 10  $\mu$ A.

### 10.2 Functional Diagram

Figure 10-1. Audio DAC Functional Diagram



## 10.3 Electrical Specifications

AVDD, AVDDHS = 2.8 V, T<sub>A</sub> = 25°C, typical case, unless otherwise noted.

All noise and distortion specifications are measured in the 20 Hz to 0.425x Fs and A-weighted filtered. Full-scale levels scale proportionally with the analog supply voltage.

**Table 10-1.** Audio DAC Electrical Specifications

Parameters	Min	Typ	Max	Units
<b>Overall</b>				
Analog Supply Voltage (AVDD, AVDDHS)	2.7	2.8	3.3	V
Digital Supply Voltage (VDIG)	2.4	2.8	3.3	V
<b>Digital Inputs/outputs</b>				
Resolution	20			bits
Logic Family	CMOS			
Logic Coding	2's Complement			
<b>ANALOG PERFORMANCE - DAC to Line-out/Headphone Output</b>				
	--	1.65	--	V <sub>pp</sub>
Output Common Mode Voltage	--	0.5 x AVDDHS	--	V
Output load resistance (on HSL, HSR)				
Headphone load	16	32		Ohm
Line load		10		kOhm
Output load capacitance (on HSL)				
Headphone load		30	1000	pF
Line load		30	150	pF
Signal to Noise Ratio (-1dBFS @ 1kHz input and 0dB Gain) Line and Headphone loads	87	92		dB
Total Harmonic Distortion (-1dBFS @ 1kHz input and 0dB Gain)				
Line Load		-80	-76	dB
Headphone Load		-65	-60	dB
Headphone Load (16 Ohm)		-40		dB
Dynamic Range (measured with -60 dBFS @ 1kHz input, extrapolated to full-scale)				
Line Load	88	93		dB
Headphone Load	70	74		dB
Interchannel mismatch		0.1	1	dB
Left-channel to right-channel crosstalk (@ 1kHz)		-90	-80	dB
Output Headset Driver Level Control Range	-6		6	dB
Output Headset Driver Level Control Step		3		dB
PSRR				
1 kHz		55		dB
20 kHz		50		dB
Maximum output slope at power up (100 to 220 μF coupling capacitor)			3	V/s

**Table 10-1. Audio DAC Electrical Specifications (Continued)**

Parameters	Min	Typ	Max	Units
<b>Analog Performance - Line-in to Line-out/Headphone Output</b>				
Input level for full scale output - 0dBFS Level @ AVDD, AVDDHS = 2.8 V and 0 dB gain		1.65 583		V <sub>pp</sub> mV <sub>rms</sub>
@ AVDD, AVDDHS = 2.8 V and 20 dB gain		0.165 58.3		V <sub>pp</sub> mV <sub>rms</sub>
Input common mode voltage		0.5 x AVDD		V
Input impedance	7	10		kOhm
Signal to Noise Ratio -1 dBFS @ 1kHz input and 0 dB gain -21 dBFS @ 1kHz input and 20 dB gain	81	85 71		dB dB
Dynamic Range (extrapolated to full scale level) -60 dBFS @ 1kHz input and 0 dB gain -60 dBFS @ 1kHz input and 20 dB gain	82	86 72		dB dB
Total Harmonic Distortion -1dBFS @ 1kHz input and 0 dB gain -1dBFS @ 1kHz input and 20 dB gain		-80 -75	-76 -68	dB dB
Interchannel mismatch		0.1	1	dB
Left-channel to right-channel crosstalk (@ 1kHz)		-90	-80	dB
<b>Master Clock</b>				
Master Clock Maximum Long Term Jitter			1.5	ns <sub>pp</sub>
<b>Digital Filter Performance</b>				
Frequency response (10 Hz to 20 kHz)		± 0.1		dB
Deviation from linear phase (10 Hz to 20 kHz)		± 0.1		deg
Passband 0.1 dB corner		0.4535		F <sub>s</sub>
Stopband	0.5465			F <sub>s</sub>
Stopband Attenuation	65			dB
<b>De-emphasis Filter Performance (for 44.1kHz F<sub>s</sub>)</b>				
	Frequency		Gain	Margin
Pass band	0 Hz to 3180 Hz		-1dB	1dB
Transition band	3180 Hz to 10600 Hz		Logarithm decay	1 dB
Stop Band	10600 Hz to 20 kHz		-10.45dB	1 dB

**Table 10-1. Audio DAC Electrical Specifications (Continued)**

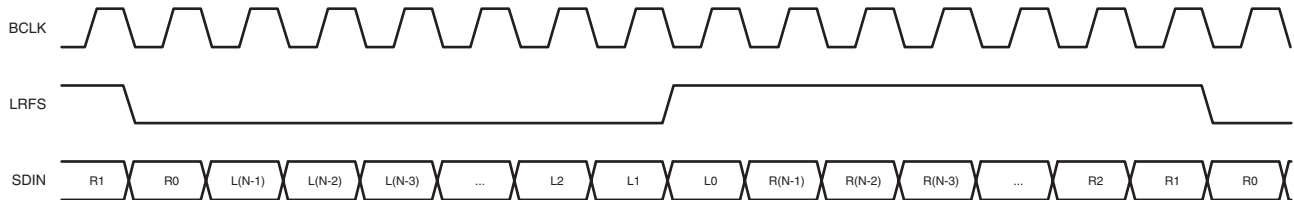
Parameters	Min	Typ	Max	Units
<b>Power Performance</b>				
Current consumption from Analog supply in power on		9.5		mA
Current consumption from Analog supply in power down			10	μA
Power on Settling Time				
From full power down to full power up (Vref and VCM decoupling capacitors charge)		500		ms
Line in amplifier (line in coupling capacitors charge)		50		ms
Driver amplifier (out driver DC blocking capacitors charge)		500		ms

## 10.4 Data Interface

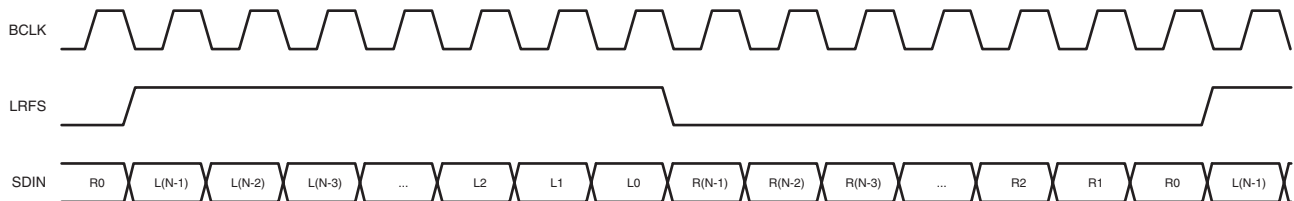
Normal operation is entered by applying correct LRFS, BCLK and SDIN waveforms to the serial interface, as illustrated in the timing diagrams below. To avoid noise at the output, the reset state is maintained until proper synchronization is achieved in the serial interface.

The data interface allows three different data transfer modes as described below.

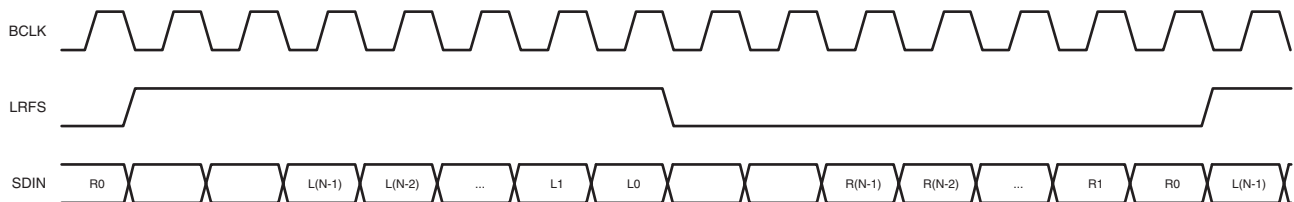
**Figure 10-2.** 20-bit I2S Justified Mode



**Figure 10-3.** 20-bit MSB Justified Mode



**Figure 10-4.** 20-bit LSB Justified Mode



The selection between modes is done using the DINTSEL<5:4> bits in the register 0x0A according with the following table.

DINTSEL <5:4>	Format
00	I2S Justified
01	MSB Justified
1x	LSB Justified

The data interface always works in slave mode. This means that the LRFS and the BCLK signals are provided by the host controller. In order to achieve proper operation, the LRFS and the BCLK signals must be synchronous with the MCLK master clock signal and their frequency relationship must reflect the selected data mode. For example, if the data mode selected is the 20-bit MSB Justified, then the BCLK frequency must be 40 times higher than the LRFS frequency.



## 10.5 Timing Specifications

Figure 10-5. Data Interface Timing Diagram

The timing constraints of the data interface are described in the following diagram and table.

Figure 10-6. I2S Timing Diagram

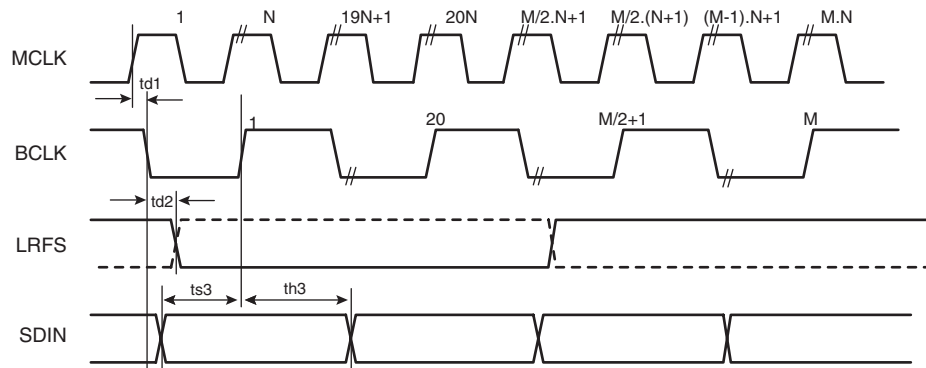


Table 10-2. Data Interface Timing Parameters

	Parameter	Min	Typ	Max	Unit
td1	Delay from MCLK rising edge to BCLK edges	2.5	--	7.5	ns
td2	Delay from BCLK falling edge to LRFS edges	0	--	5	ns
ts3	din set-up time before BCLK rising edge	10	--	--	ns
th3	din hold time after BCLK rising edge	10	--	--	ns

## 11. Microphone Preamplifier (OP065)

### 11.1 Features

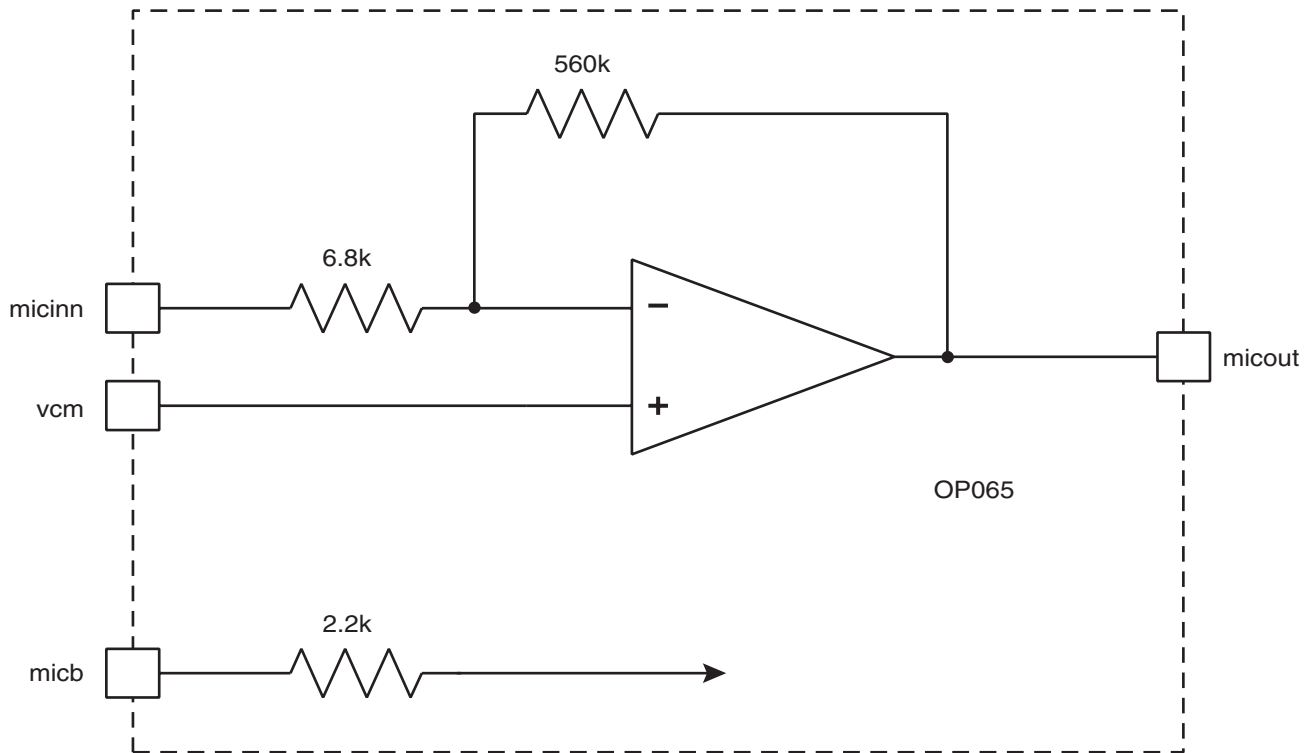
- Standard Quality Amplifier for Electret Microphone Preamplifier
- Low Power Consumption
- Few External Components Necessary for a Complete Preamplifier
- Internal Bias
- Internal Bias for the Electret Microphone
- Stand-by Mode

### 11.2 Description

The OP065 is a low-voltage operational amplifier designed for a standard quality electret microphone preamplifier. It presents a frequency response, a supply rejection and a noise compatible with voice quality applications. All voltages are referred to gnda. The OP065 is powered by vdda pin, with a nominal voltage of 2.8V. The normal operating mode is defined with ONAMP and ONMIC pins set to 1 (referred to vdda).

### 11.3 Functional Diagram

Figure 11-1. Microphone Preamplifier Functional Diagram



## 11.4 Detailed Description

The OP065 is a two-stage class A amplifier with a nominal 40 dB gain. The gain can be reduced simply by adding a resistor in serie with the MICINN input. Included input resistor is 2.2 KOhms.

Few external components are needed for a complete electret microphone preamplifier solution:

- Input capacitor between the microphone and the MICINN input of the OP065 (2.2  $\mu$ F recommended),
- Resistive bridge and the decoupling capacitor for the VCM common mode input (100 KOhms + 100 KOhms bypassed by a 10  $\mu$ F capacitor recommended)
- Power supply decoupling capacitor for the microphone (10  $\mu$ F recommended, on MICOUT)

Refer to the typical application suggestion presented in [Figure 2-1 “AT73C209 Functional Block Diagram” on page 3](#).

The common mode is to be set externally to half supply. The output MICOUT is then centered to half supply. It is self-biased.

The biasing of the electret microphone is included, through a 1.2 KOhms resistor in serie with the VDDA supply, and available on MICOUT. This bias can be shut down by ONMIC input (bias available with ONMIC = 1).

The MICINN input should be AC coupled to the microphone, its DC value is normally set to half supply (as soon as VCM input is biased to half supply).

The output stage is a class A linear structure with an internal low quiescent current. This current will be actually essentially fixed by the external load to be connected (DC coupled) between the output (MICOUT) and the ground. A typical 50 KOhms load is recommended. A maximum 100pF load can be connected to the output.

The OP065 is not optimized for general buffer purpose.

The biasing of the electret microphone is included, through a 2.2 KOhms resistor in serie with the VDDA supply, and available on MIC output.

The MICINN input should be AC coupled to the microphone, its DC value is set to half supply.

## 11.5 Electrical Specifications

$T_A = 25^\circ\text{C}$ , VSUPPLY = 2.4V to 3.0V, unless otherwise specified.

**Table 11-1.** Microphone Preamplifier (OP065) Electrical Specifications

Parameter	Symbol	Conditions	Min	Typ	Max	Unit
Operating Supply Voltage	$V_{ANA}$		2.4	2.8	3.0	V
Output swing	$V_C$	50 KOhms load	0.2	--	$V_{ana}-0.2$	V
Voltage gain	$G_v$	With an ideal voltage source	--	40	--	dB
Input impedance	$Z_{IN}$		--	2200	--	Ohms
Output offset voltage	$V_{OFF}$	AC input coupling	-10	--	10	mV
Output noise, 40dB gain, without power Supply and microphone contribution	$e_{noise}$	20 Hz - 20 KHz bandwidth, unweighted 50 kOhms // 100 pF load	--	-67	-62	dBV
Slew-rate	SR	50 kOhms // 100 pF load	$\pm 0.2$	--	$\pm 0.4$	V/ $\mu$ s

**Table 11-1.** Microphone Preamplifier (OP065) Electrical Specifications (Continued)

Parameter	Symbol	Conditions	Min	Typ	Max	Unit
Frequency response	F-3	50 kOhms // 100 pF load 40 dB gain	15	18	--	kHz
Phase margin	PM	50 kOhms // 100 pF load	45	50	--	°
Start-up time	t <sub>STUP</sub>		--	40	50	μs
Supply current, active mode	I <sub>CC</sub>	Not including microphone bias current	--	15	30	μA
Supply current, stand-by mode	I <sub>SBY</sub>		--	--	1	μA

## 11.6 Control Modes

The Preamplifier can be enabled or disabled by activating the bit #1 (ONAMP) on the register 0x17. (See [Section 8.5.18 “Microphone Amplifier Control”](#).)

Microphone Preamplifier Mode

onamp	Active Mode
0	Stand By Mode
1	Active Mode

The microphone bias of the preamplifier can be activated or deactivated by changing the bit #0 (ONMIC) on the register 0x17. (See [Section 8.5.18 “Microphone Amplifier Control”](#).)

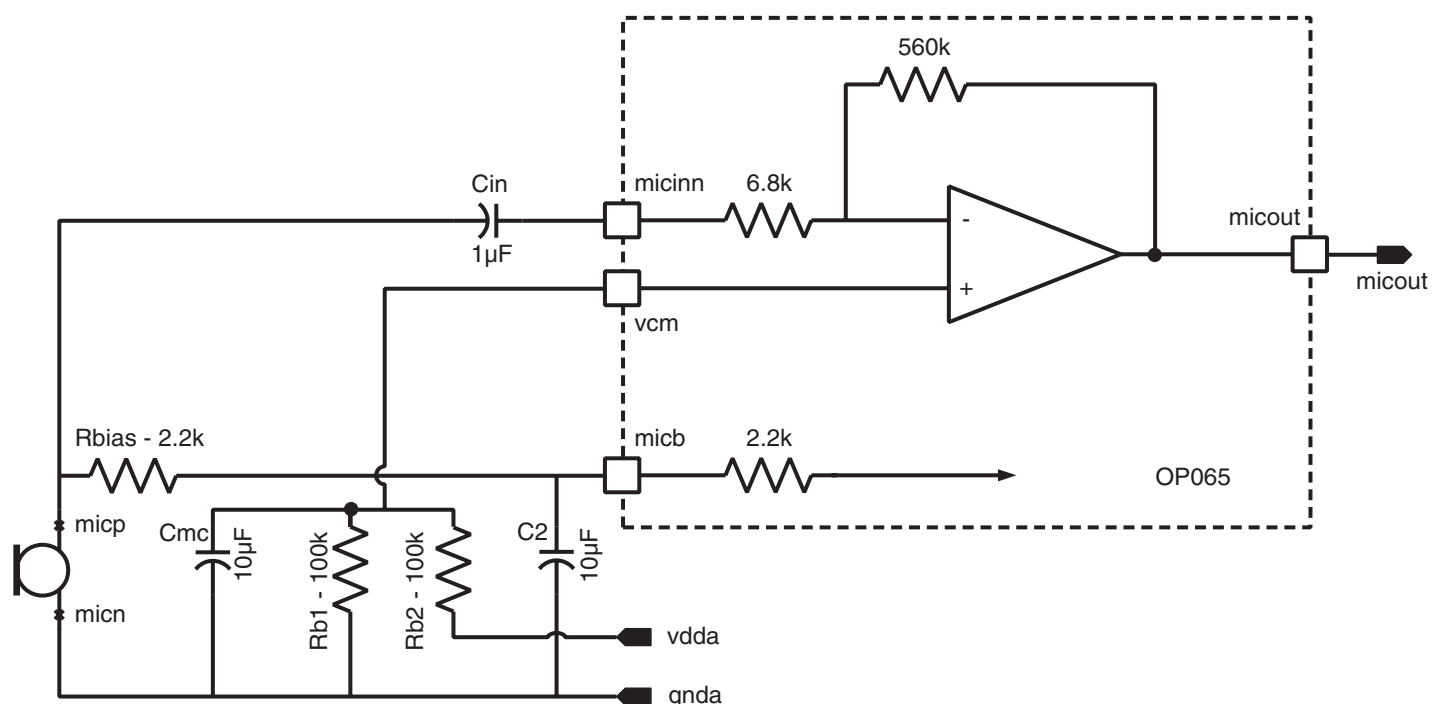
Microphone Bias Mode

onmic	Microphone Bias Mode
0	No Microphone Bias
1	Microphone Bias Available

Note: when onmic = 0, the MIC pin is pulled down to the ground through a 3 kOhms resistor.

## 11.7 Typical Application

Figure 11-2. Microphone Preamplifier Typical Application Diagram



The OP065 is used as a 37 dB gain amplifier. Grounds of the microphone and the OP065 are common (GNDA in the schematic). The amplifier is internally supplied by VANA.

A capacitive filter (C2) is added for the microphone supply, since its noise is amplified by the OP065 and then is very critical. A 10 uF minimum value is recommended.

The gain can be attenuated simply by adding an input resistor in serie with MICINN input. The gain is also determined by  $G_v[\text{dB}] = 20 \cdot \log(220000 / (2200 + R_{\text{sad}}))$ , with  $R_{\text{sad}}$  the additional input resistor added.

The common mode input (VCM) is internally biased, and has to be decoupled with a 10 uF minimum external capacitor. It is very important for the total output noise.

Care should be taken to avoid coupling between the input of the OP065 and noisy environments (digital power, burst mode of GSM, etc.)

The input capacitor determines the low cut-off frequency with the internal 2.2 kOhms resistor:  $F_{\text{cut-off}} = 0.159 / (2200 \cdot C_{\text{in}})$  with  $C_{\text{in}}$ : value of the input capacitor  $C_{\text{in}}$ .

## 12. Power On/Off Procedure

There are two different inputs for supplying AT73C209. The first one, is to apply a cell on IN pin. The DC/DC converter should be activated by the ONOFF pin. The second one, is to apply a USB\_Voltage on USB pin. Each power\_up is described below.

### 12.1 DC/DC Power On/Off Operation

The Power-On of the DC/DC boost converter is activated by a push\_button. The Power-Off of the DC/DC boost converter is controlled by the micro-controller MCU using 1 signal register.

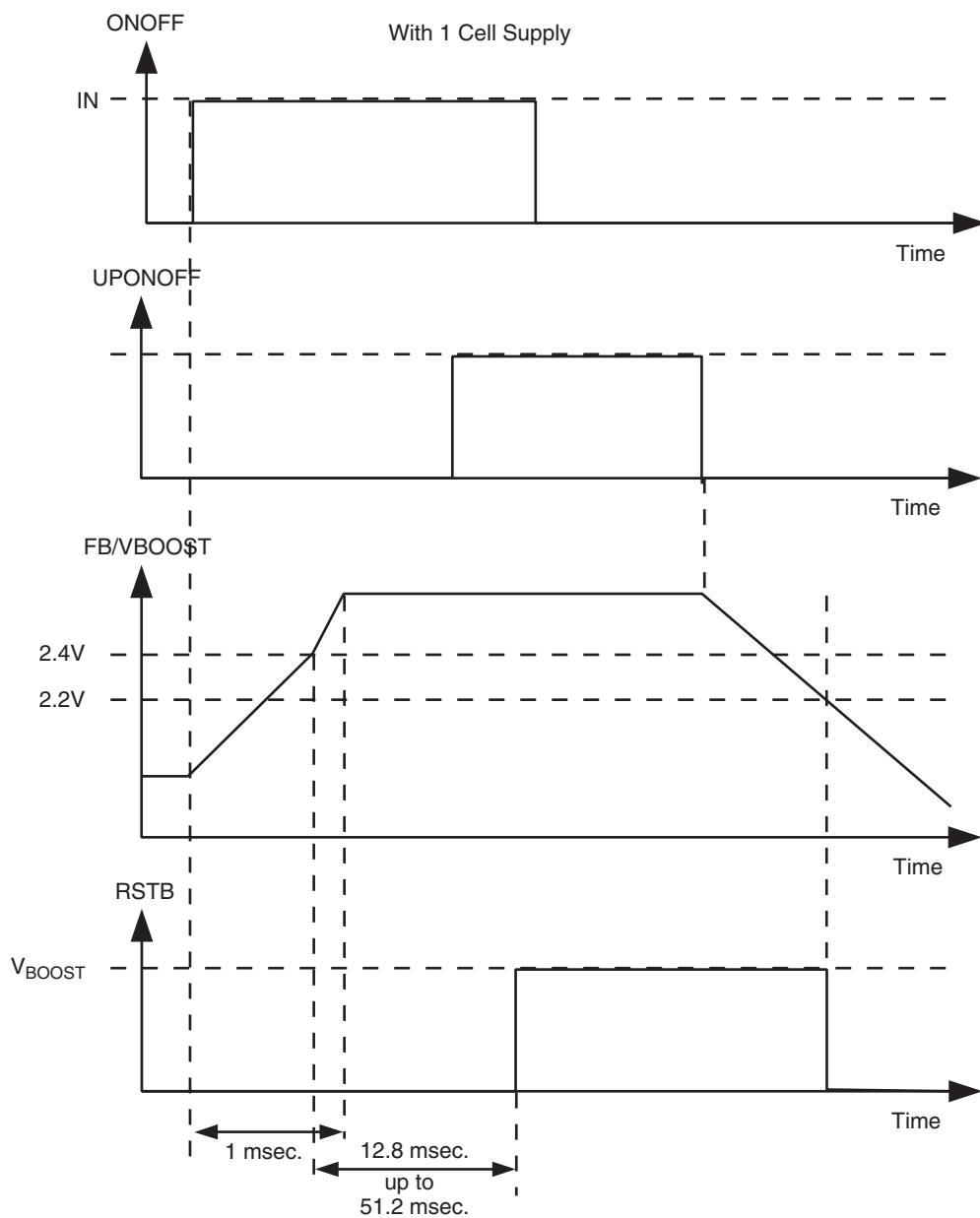
- The DC/DC boost converter is enabled with the ONOFF signal (Push\_button activation). If ONOFF is high, the FB output voltage of the DC/DC converter begins to rise. The load resistor in this start-up phase must be higher than 10 KOhms. Once FB reaches the 2.4V threshold voltage, a DC/DC internal low-quiescent voltage supervisor sets the DC/DC internal STARTV signal to high (FB level). Then, the DC/DC output voltage FB rises to 3.3V.
- The DC/DC boost converter is kept enabled by the micro-controller by setting the UPONOFF bit to high level (register 0x15, bit # 0). Then, the ONOFF signal can be released to 0.
- Once FB reaches 2.4V threshold, a counter is started and after 256 cycles of internal oscillator, a reset signal (high level) is generated on RSTB pin. The reset time should be calculated as follows: (5kHz < F oscillator < 20kHz

)

$$12,8ms = 256 \times \frac{1}{f_{OSCILLATOR-MAX}} < Reset - Time < 256 \times \frac{1}{f_{OSCILLATOR-MIN}} = 51,2ms$$

- The off mode is entered as soon as the micro-controller resets the UPONOFF bit to 0 (provided ONOFF=0). Then, the DC/DC boost converter is disabled

Figure 12-1. DC/DC Power On/Off Procedure Diagram



## 12.2 USB Power On/Off Operation (USB Alone)

This paragraph describes the power on/off procedure if only a USB power supply is applied. The DC/DC converter is in Off Mode.

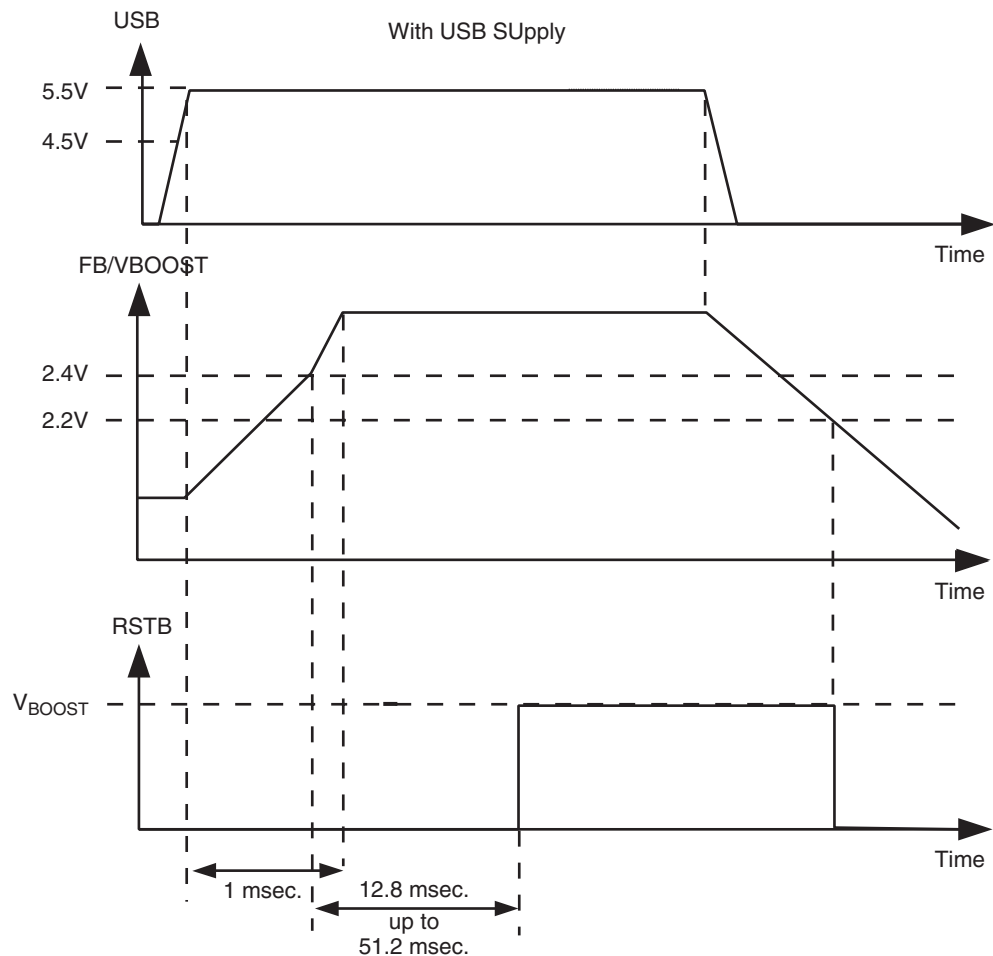
When a voltage over 4.5V is applied on the USB pin, the LDO1 starts itself automatically.

- The FB/VBOOST output voltage begins to rise. Once the output voltage reaches the 2.4V threshold voltage, an internal low-quiescent voltage supervisor sets the LDO1 enable signal to high. Then, the LDO1 output voltage rises to 3.4V.
- Once FB/VBOOST reaches 2.4V threshold, a counter is started and after 256 cycles of internal oscillator, a reset signal (high level) is generated on RSTB pin. The reset time should be calculated as follows

$$12,8ms = 256 \times \frac{1}{f_{OSCILLATOR-MAX}} < Reset-Time < 256 \times \frac{1}{f_{OSCILLATOR-MIN}} = 51,2ms$$

- The off mode is entered as soon as USB input voltage is removed or under 4.5V.

**Figure 12-2.** USB Power ON/OFF Procedure Diagram

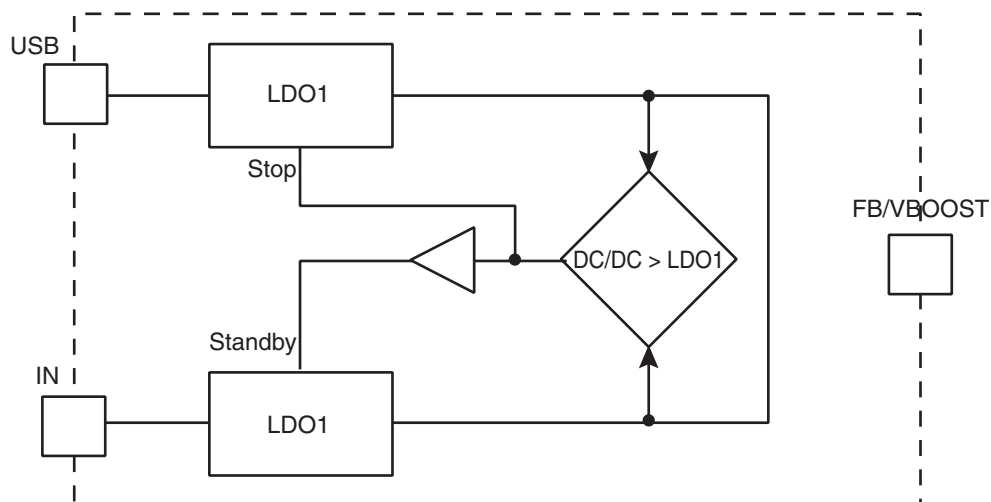




### 12.3 USB vs. DC/DC Power On/Off Operation

AT73C209 has a power selection priority. The USB pin powers the LDO1 and the IN pin powers the DC/DC Converter. If the output value of the DC/DC is higher than the LDO1 output value, then the LDO1 is stopped. If the output value of the LDO1 is higher than the DC/DC output value, then the DC/DC is put in standby mode.

**Figure 12-3.** Power Supply Priority Diagram



Using default values (In the registers), the power-on and power-off sequences when both power supplies are connected, should be as described below.

Power On Sequence:

A cell is connected to the IN pin. The DC/DC can be started by ONOFF pin activation and latched by UPONOFF bit activation.

- FB output rises until 3.3V (default voltage value).
- Once FB reaches 2.4V, a counter is launched and after “Reset-Time”, a reset is generated on RSTB pin.
- DC/DC is running.

A USB power supply is connected on the USB pin. The LDO1 starts automatically.

- FB/VBOOST rises to 3.4V (default voltage value).
- The DC/DC is in Standby Mode

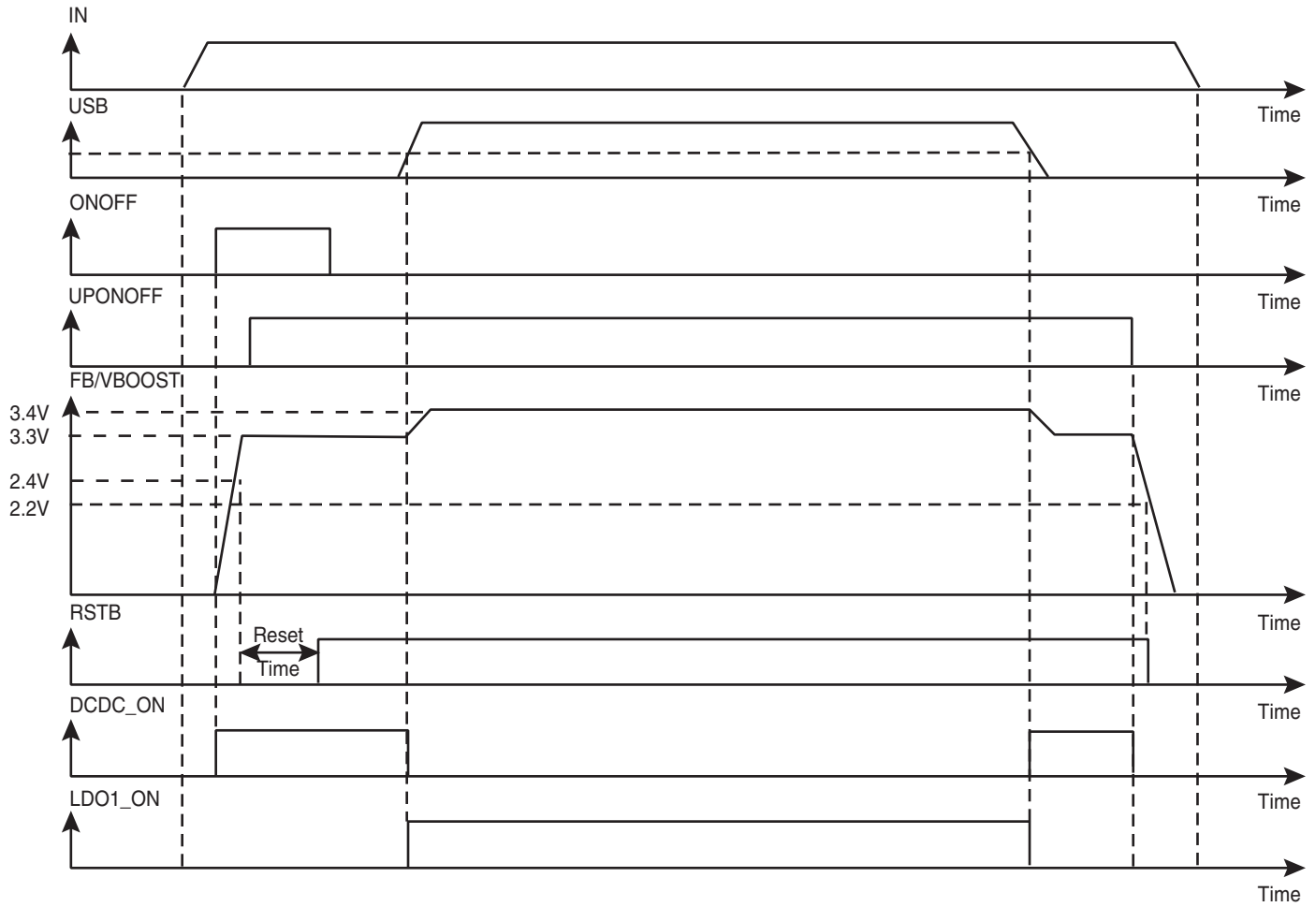
Power Off Sequence:

The USB power supply is disconnected from the USB pin.

- The LDO1 is stopped
- The DC/DC is start (in case of UPONOFF bit activated)
- FB/VBOOST is falling down until 3.3V (default voltage value).

The DC/DC is stopped when the UPONOFF bit is set to Low.

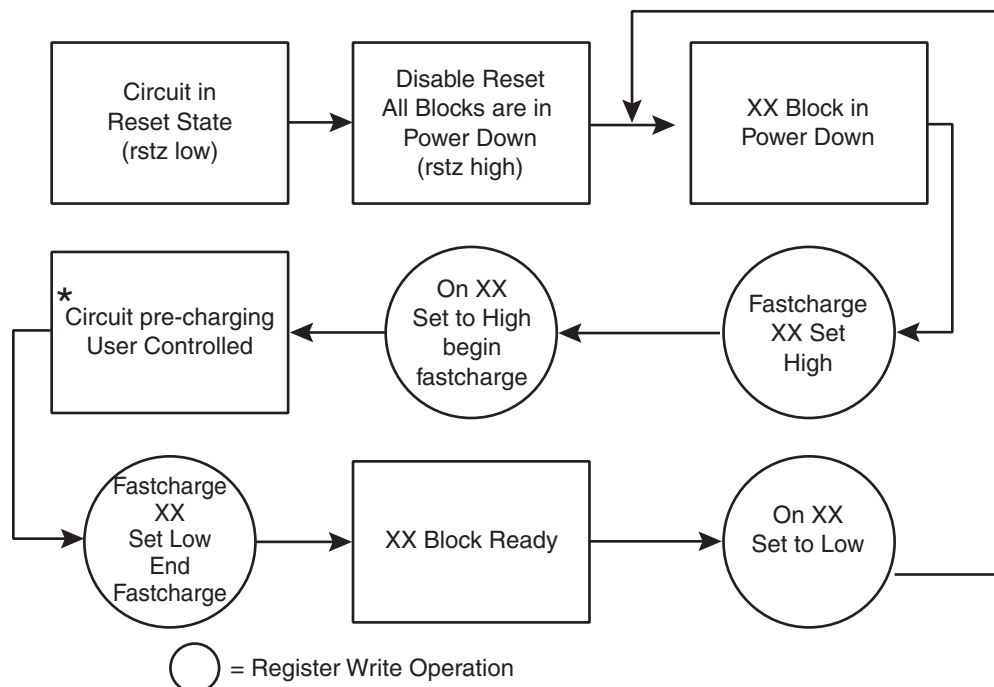
**Figure 12-4.** USB vs. DC/DC Power On/Off Procedure Diagram (with Default Values)



## 12.4 Audio DAC Start-up Sequences

The power up of the circuit can be performed independently for several blocks. The figure below presents the sequence carried out for powering up a specific block XX where XX can be any of the several blocks described below0

Figure 12-5. DAC Startup Diagram



\* Circuit must be in this state for the specified fastcharge interval.

The sequence flow starts by setting to High the block specific fast-charge control bit and subsequently the associated power control bit. Once the power control bit is set to High, the fast charging starts. This action begins a user controlled fast-charge cycle. When the fast-charge period is over, the user must reset the associated fast-charge bit and the block is ready for use. If a power control bit is cleared a new power up sequence is needed.

The several blocks with independent power control are identified in Table 12-1 below. The table describes the power-on control and fast-charge bits for each block.

Table 12-1. Power-on Control and Fast-charge Bits Table

Powered Up Block	Power On Control Bit	Precharge Control Bit
Vref & Vcm generator	onmstr (reg 0x0C; bit #0)	prcharge (reg 0x0C; bit #1)
Left line in amplifier	onlnil (reg 0x00; bit #0)	prchargeil (reg 0x0C; bit #2)
Right line in amplifier	onlnir (reg 0x00; bit #1)	prchargeir (reg 0x0C; bit #3)
Left line out amplifier	onlnol (reg 0x00; bit #2)	prchargeol (reg 0x0C; bit #4)
Right line out amplifier	onlnor (reg 0x00; bit #3)	prchargeor (reg 0x0C; bit #5)
Left D-to-A converter	ondacl (reg 0x00; bit #4)	Not Needed
Right D-to-A converter	ondacr (reg 0x00; bit #5)	Not Needed

The power-on settling times for each of the different blocks are described in Table 12-1 below.



**Table 12-2.** Power On Settling Time

Power On Signal	Powered Up Block	Power On Settling Time	Equivalent Charge Capacitance	Max dV/dt while Charging
osmstr	Vref generator	500 ms	10 $\mu$ F	--
onlnil	Left Line In Amplifier	50 ms	2.2 $\mu$ F	--
onlnir	Right Line In Amplifier	50 ms	2.2 $\mu$ F	--
onlnol	Left Line Out Amplifier	500 ms	100 $\mu$ F to 220 $\mu$ F	3V/sec.
onlnor	Right Line Out Amplifier	500 ms	100 $\mu$ F to 220 $\mu$ F	3V/sec.
ondacl	Left D to A Converter	100 $\mu$ s	--	--
ondacr	Right D to A Converter	100 $\mu$ s	--	--

Note: All the blocks can be precharged simultaneously

### 13. Interrupts

There are three possible interrupts. Two for USB (for Plugin and Unplug) and one for Headset Short-Circuit. These three interrupts generate a low signal on ITB output pin and are generated as described in the following paragraphs.

To see each interrupt, it's necessary to mask it by using the register "INT\_MASK" at 0x11 register address.

#### 13.1 USB Interrupt

There are two interrupt generation possibilities for USB. USB Rising interrupt and USB Falling interrupt. The dedicated registers for these interrupts are 0x11 (MISC\_STATUS) and 0x12 (INT\_MASK). These registers are described below. (Only the used bits for USB interrupt are described. For more details, see [Section 8.5.14 on page 23](#) and [Section 8.5.15 on page 23](#).)

Register (0x11): Miscellaneous Status (MISC\_STATUS)

Bit	Name	Description	Reset Value
1	USBOK	USB Supply Flag	USBOK = 0

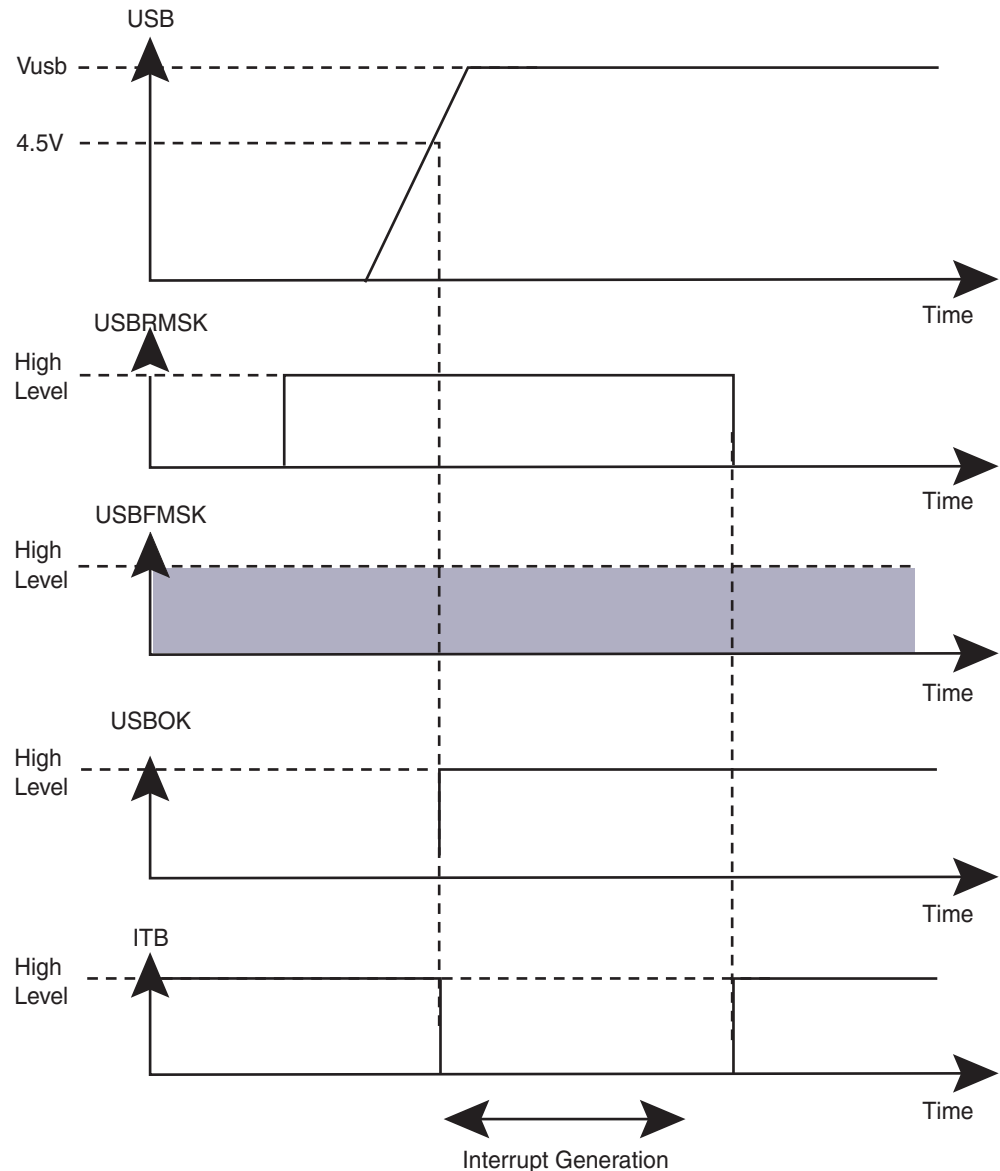
Register (0x12): Interrupt Mask (INT\_MASK)

Bit	Name	Description	Reset Value
1	USBRMSK	USB supply rising interrupt mask (1 to enable interrupt)	USBRMSK = 0
2	USBFMSK	USB supply falling interrupt mask (1 to enable interrupt)	USBFMSK = 0

### 13.1.1 USB Rising Interrupt

The sequence of USB Rising Interrupt generation, is shown below.

**Figure 13-1.** USB Rising Interrupt Diagram



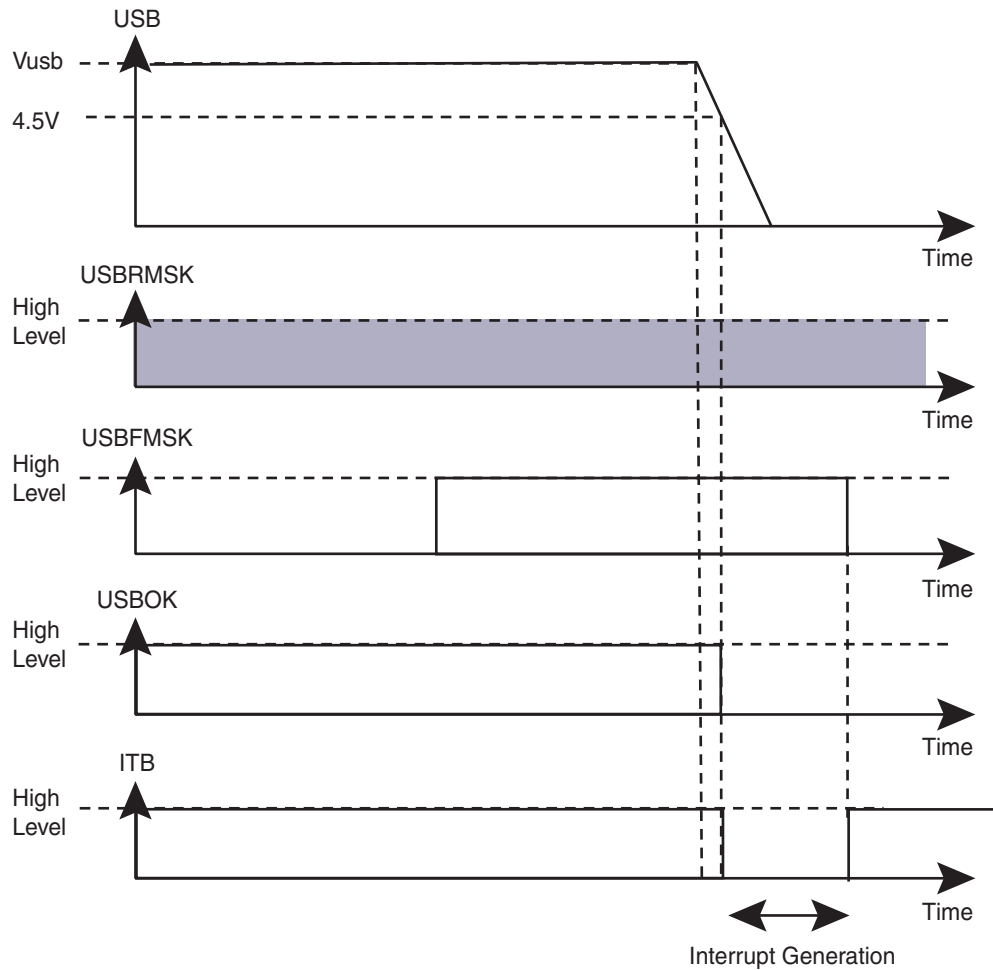
The sequence of the USB Rising Interrupt is described below.

- Put bit #1 of register 0x12 to High → USB Mask Rising (USBRMSK) goes to High
- Plug USB input → bit #1 of register 0x11 (USBOK), goes to High Level  
→ ITB output goes to Low Level
- Put bit #1 of register 0x12 to Low → USB Mask Rising (USBRMSK) goes to Low  
→ bit #1 of register 0x11 (USBOK), stay to High Level  
→ ITB output goes to High Level

13.1.2 USB Falling Interrupt

The Falling Interrupt generation sequence is shown below.

Figure 13-2. USB Falling Interrupt Diagram



The sequence of the USB Falling Interrupt is described below.

- Put bit #2 of register 0x12 to High → USB Mask Rising (USBRMSK) goes to High
- Unplug USB input → bit #1 of register 0x11 (USBOK), goes to Low Level  
→ ITB output goes to Low Level
- Put bit #2 of register 0x12 to Low → USB Mask Rising (USBRMSK) goes to Low  
→ bit #1 of register 0x11 (USBOK), stays at Low Level  
→ ITB output goes to Low Level

## 13.2 Headset Short-Circuit Interrupt

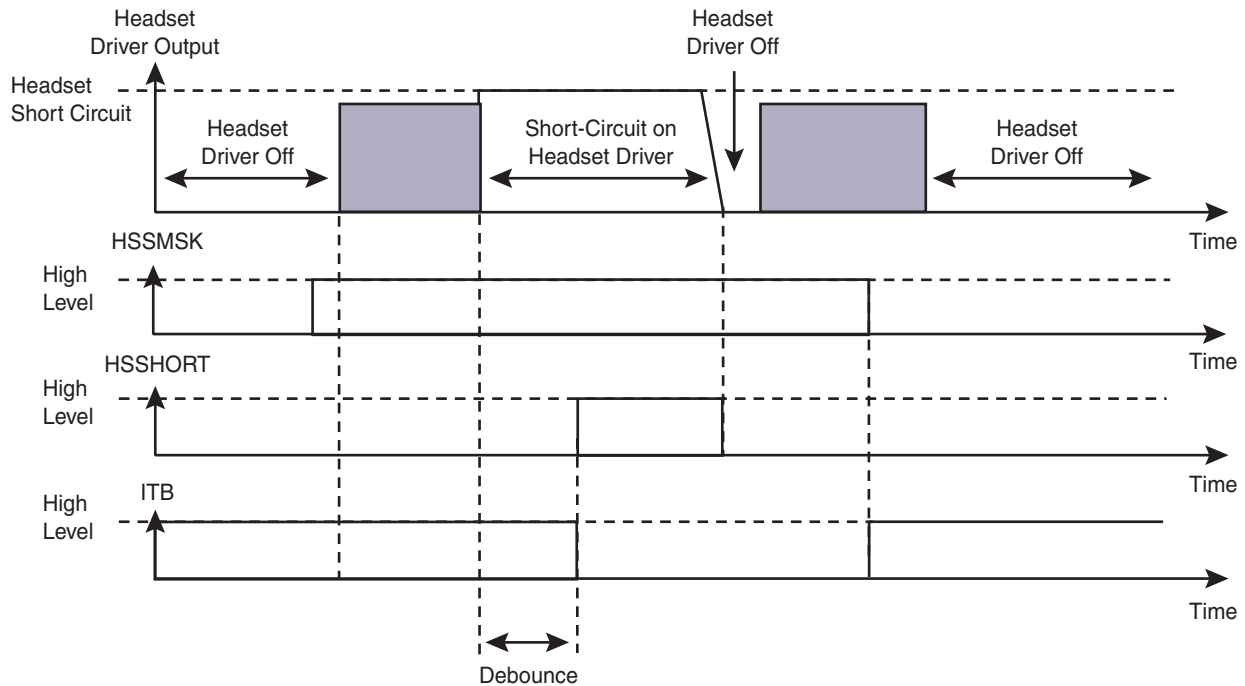
There is one interrupt generation for Headset Short-Circuit (see diagram below). The dedicated registers for this interrupt are 0x11 (MISC\_STATUS) and 0x12 (INT\_MASK). These registers are described below. (Only the used bits for Headset Short-Circuit interrupt are described. For more details, see [Section 8.5.14 on page 23](#) and [Section 8.5.15 on page 23](#).)

Register (0x11): Miscellaneous Status (MISC\_STATUS)

Register	Bit	Name	Description	Reset Value
0x11	0	HSSHORT	Headset Short Flag	HSSHORT = 0
0x12	0	HSSMSK	Headset short interrupt mask (1 to enable interrupt)	HSSMSK = 0

### 13.2.1 Headset Short-Circuit Sequence

**Figure 13-3.** Headset Short-Circuit Interrupt Diagram



The sequence of the Head Short-Circuit Interrupt is described below.

- Put bit #0 of register 0x12 to High. →Headset Short-Circuit Mask (HSSMSK) goes to High.
- Power on the headset output driver.
- Make a short circuit on the headset output (right or left channel). →After Debounce Time bit #0 of register 0x11 (HSSHORT), goes to High Level.
- Then ITB output goes to High Level.

The Headset Short Circuit Flag (HSSHORT) should be removed by switching off the headset driver.



The ITB signal (Interrupt Output) should be removed by putting bit #0 of register 0x12 (HSSMSK) to Low.

### 13.2.2 Debounce Time

The debounce time depends on the internal oscillator deviation. It operates after 512 cycles of internal oscillator period time. It should be calculated as follows:

Debounce - Time equation:

$$Debounce - Time = 512 \times \left( \frac{1}{f_{OSCILLATOR}} \right)$$

Internal Frequency Oscillator Deviation:

$$5kHz < f_{OSCILLATOR} < 20kHz$$

Debounce-Time Min. and Max.:

$$25,6ms < Debounce - Time < 104,2ms$$

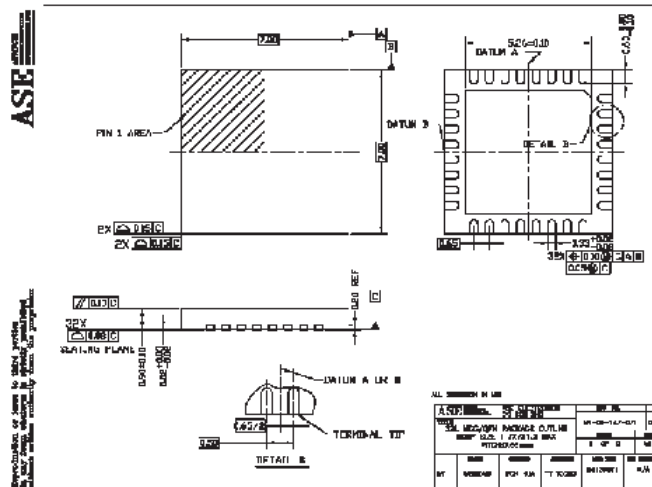
## 14. Current Consumption in Different Modes

**Table 14-1.** Current Consumption with Battery Operation

Mode	Current Consumption (typ)	Current Consumption (max)	Unit
0: Off Internal Monitoring  Total	TBD	10	$\mu\text{A}$
1: Standby No Play DC/DC is on MCU & Nand Flash Ready  Total	TBD	10	mA
2: Play DC/DC is on MCU Flash Reading Audio DAC Headset 0dB  Total	TBD	45	mA
3: Record DC/DC is on MCU Flash Writing Audio DAC Headset 0dB  Total	TBD	45	mA

## 15. Package Drawing

Figure 15-1. Package Outline



Package Type: QFN32, 7x7mm

- Notes:
1. All dimensions are in mm.
  2. Drawing is for general information only. Refer to JEDEC drawing MO-220 for additional information.

Figure 15-2. Package Drawing with Pin 1 and Marking (Bottom View)



## 16. Revision History

Table 16-1. Revision History

Doc. Rev.	Date	Comments	Change Request Ref.
	12-Mar-08	First issue.	

Table of Contents

**Features ..... 1**

**1 Description ..... 1**

**2 Block Diagram ..... 3**

**3 Application Diagram ..... 4**

**4 Components List ..... 5**

**5 Pin Description ..... 6**

**6 Absolute Maximum Ratings ..... 7**

**7 Digital IOs ..... 7**

**8 SPI Interface ..... 8**

    8.1 SPI architecture ..... 8

    8.2 SPI Protocol ..... 8

    8.3 Timing Diagram for SPI Interface ..... 9

    8.4 SPI Timing ..... 9

    8.5 SPI Register Tables ..... 9

**9 Power Supplies ..... 28**

    9.1 DC to DC Boost Converter (SW1) ..... 28

    9.2 LDO1: 3.3V From USB Port ..... 31

    9.3 LDO2: 2.4V to 3.0V for Internal Analog Section Supply ..... 33

**10 Audio DAC ..... 36**

    10.1 Description ..... 36

    10.2 Functional Diagram ..... 36

    10.3 Electrical Specifications ..... 37

    10.4 Data Interface ..... 40

    10.5 Timing Specifications ..... 41

**11 Microphone Preamplifier (OP065) ..... 42**

    11.1 Features ..... 42

    11.2 Description ..... 42

    11.3 Functional Diagram ..... 42

    11.4 Detailed Description ..... 43

    11.5 Electrical Specifications ..... 43

    11.6 Control Modes ..... 44





11.7	Typical Application .....	45
<b>12</b>	<b>Power On/Off Procedure .....</b>	<b>46</b>
12.1	DC/DC Power On/Off Operation .....	46
12.2	USB Power On/Off Operation (USB Alone) .....	48
12.3	USB vs. DC/DC Power On/Off Operation .....	49
12.4	Audio DAC Start-up Sequences .....	51
<b>13</b>	<b>Interrupts .....</b>	<b>53</b>
13.1	USB Interrupt .....	53
13.2	Headset Short-Circuit Interrupt .....	56
<b>14</b>	<b>Current Consumption in Different Modes .....</b>	<b>58</b>
<b>15</b>	<b>Package Drawing .....</b>	<b>59</b>
<b>16</b>	<b>Revision History .....</b>	<b>60</b>
	<b>Table of Contents.....</b>	<b>i</b>



## Headquarters

**Atmel Corporation**  
2325 Orchard Parkway  
San Jose, CA 95131  
USA  
Tel: 1(408) 441-0311  
Fax: 1(408) 487-2600

## International

**Atmel Asia**  
Room 1219  
Chinachem Golden Plaza  
77 Mody Road Tsimshatsui  
East Kowloon  
Hong Kong  
Tel: (852) 2721-9778  
Fax: (852) 2722-1369

**Atmel Europe**  
Le Krebs  
8, Rue Jean-Pierre Timbaud  
BP 309  
78054 Saint-Quentin-en-  
Yvelines Cedex  
France  
Tel: (33) 1-30-60-70-00  
Fax: (33) 1-30-60-71-11

**Atmel Japan**  
9F, Tonetsu Shinkawa Bldg.  
1-24-8 Shinkawa  
Chuo-ku, Tokyo 104-0033  
Japan  
Tel: (81) 3-3523-3551  
Fax: (81) 3-3523-7581

## Product Contact

**Web Site**  
[www.atmel.com](http://www.atmel.com)  
[Analog Companions \(PMAAC\)](#)

**Technical Support**  
[pmaac@atmel.com](mailto:pmaac@atmel.com)  
[Atmel technical support](#)

**Sales Contacts**  
[www.atmel.com/contacts/](http://www.atmel.com/contacts/)

**Literature Requests**  
[www.atmel.com/literature](http://www.atmel.com/literature)

**Disclaimer:** The information in this document is provided in connection with Atmel products. No license, express or implied, by estoppel or otherwise, to any intellectual property right is granted by this document or in connection with the sale of Atmel products. **EXCEPT AS SET FORTH IN ATMEL'S TERMS AND CONDITIONS OF SALE LOCATED ON ATMEL'S WEB SITE, ATMEL ASSUMES NO LIABILITY WHATSOEVER AND DISCLAIMS ANY EXPRESS, IMPLIED OR STATUTORY WARRANTY RELATING TO ITS PRODUCTS INCLUDING, BUT NOT LIMITED TO, THE IMPLIED WARRANTY OF MERCHANTABILITY, FITNESS FOR A PARTICULAR PURPOSE, OR NON-INFRINGEMENT. IN NO EVENT SHALL ATMEL BE LIABLE FOR ANY DIRECT, INDIRECT, CONSEQUENTIAL, PUNITIVE, SPECIAL OR INCIDENTAL DAMAGES (INCLUDING, WITHOUT LIMITATION, DAMAGES FOR LOSS OF PROFITS, BUSINESS INTERRUPTION, OR LOSS OF INFORMATION) ARISING OUT OF THE USE OR INABILITY TO USE THIS DOCUMENT, EVEN IF ATMEL HAS BEEN ADVISED OF THE POSSIBILITY OF SUCH DAMAGES.** Atmel makes no representations or warranties with respect to the accuracy or completeness of the contents of this document and reserves the right to make changes to specifications and product descriptions at any time without notice. Atmel does not make any commitment to update the information contained herein. Unless specifically provided otherwise, Atmel products are not suitable for, and shall not be used in, automotive applications. Atmel's products are not intended, authorized, or warranted for use as components in applications intended to support or sustain life.

© 2008 Atmel Corporation. All rights reserved. Atmel®, logo and combinations thereof, and others are registered trademarks or trademarks of Atmel Corporation or its subsidiaries. Other terms and product names may be trademarks of others.