

KEY FEATURES

- Din Rail Switching Power Supply
- Universal Input Range 90-264VAC, 47-440 Hz
- Regulated Output
- Low Ripple and Noise
- High Efficiency
- CE, UL, TUV Approval
- 2-Years Product Warranty



ELECTRICAL SPECIFICATIONS

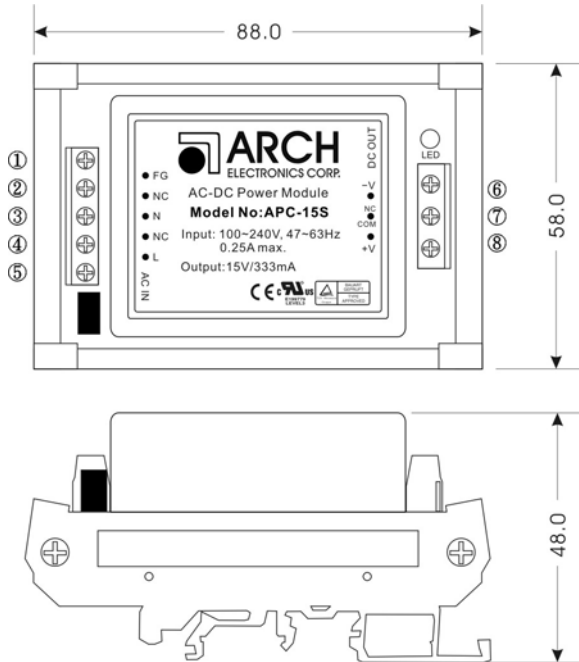
Model No. (Single Output)	APC-3.3S-DN	APC-5S-DN	APC-12S-DN	APC15S-DN	APC24S-DN
Max Output Wattage (W)	5W	5W	5W	5W	4.8W
Input	Voltage				
	90-264 VAC or 120-370 VDC				
	Frequency (Hz)				
	47-440 Hz				
	Current (Full load)				
110 mA max. (115 VAC) / 70 mA max. (230 VAC)					
Inrush Current (<2ms)					
10 A max. (115 VAC) /20 A max. (230 VAC)					
Leakage Current					
0.75 mA max.					
Output	Voltage (V.DC.)				
	3.3V	5V	12V	15V	24V
	Voltage Accuracy				
	±2%				
	Current (mA) max				
	1500	1000	416	333	200
	Line Regulation (LL-HL) (typ.)				
	±0.3%				
	Load Regulation (5-100%) (typ.)				
	±0.5%				
	Minimum Load				
	4%	1%	1%	0%	0%
Maximum Capacitive Load					
470-23,000µF depending on model					
Ripple					
<0.2% Vout +40mV max (Vp-p)					
Noise					
<0.5% Vout +50mV max (Vp-p)					
Efficiency					
62%	64%	69%	69%	65%	
Hold-up Time					
15 ms min.					
Switching Frequency					
100 kHz					
Protection	Over Power Protection				
	Hiccup technique, auto-recovery				
	Over Voltage Protection				
Zener diode clamp					
Short Circuit Protection					
Hiccup mode, indefinite (automatic recovery)					
Isolation	Input-Output (V.AC)				
	3000V				
	Input-FG (V.AC)				
1500V					
Output-FG (V.AC)					
500V					
Environment	Operating Temperature				
	-25°C...+70°C (with derating)				
	Storage Temperature				
	-40°C...+85°C				
	Temperature Coefficient				
±0.02%/°C					
Humidity					
95% RH					
MTBF					
>300,000 h @ 25°C (MIL-HDBK-217F)					
Physical	Dimension (L x W x H)				
	2.28 x 3.46 x 1.9 Inches (58.0 x 88.0 x 48.0 mm)				
	Case Material				
	Plastic resin with Fiberglass (flammability to UL 94V-2)				
Weight					
140 g					
Cooling Method					
Free air convection					
Safety	Agency Approvals				
UL/cUL, CE, TUV					
EMC	EMI (Conducted & Radiated Emission)				
	EN 55022 class B				
EMS (Noise Immunity)					
EN 50082-1					

All specifications valid at nominal input voltage, full load and +25°C after warm-up time unless otherwise stated.

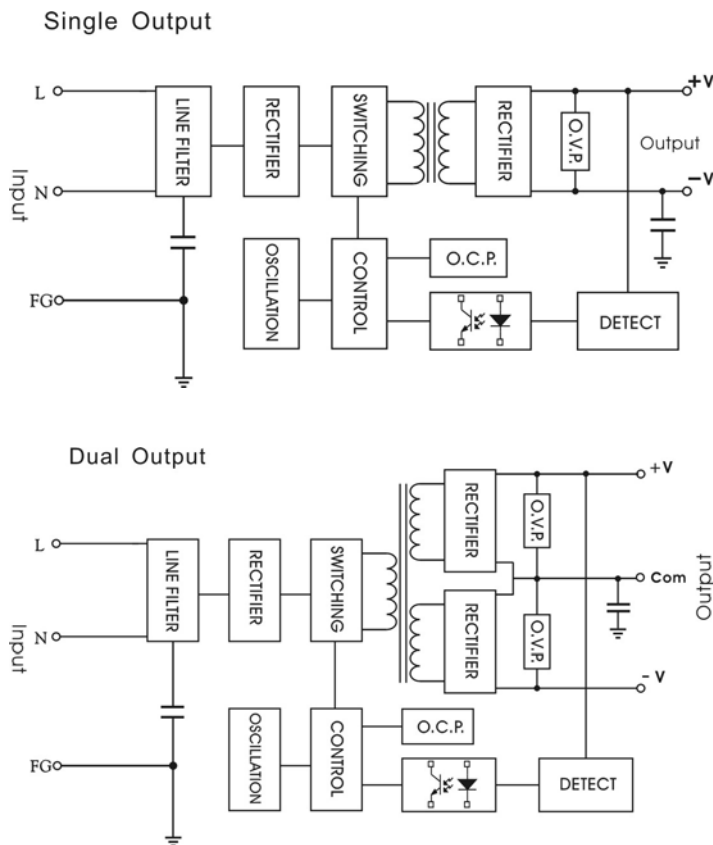
ELECTRICAL SPECIFICATIONS

Model No. (Dual Output)	APC-5D-DN	APC-12D-DN	APC15D-DN	
Max Output Wattage (W)	5W	4.8W	4.8W	
Input	Voltage			
	90-264 VAC or 120-370 VDC			
	Frequency (Hz)			
	47-440 Hz			
	Current (Full load)			
110 mA max. (115 VAC) / 70 mA max. (230 VAC)				
Inrush Current (<2ms)				
10 A max. (115 VAC) /20 A max. (230 VAC)				
Leakage Current				
0.75 mA max.				
Output	Voltage (V.DC.)	±5V	±12V	±15V
	Voltage Accuracy	±2%		
	Current (mA) max	±500	±200	±160
	Line Regulation (LL-HL) (typ.)	±0.3%		
	Load Regulation (5-100%) (typ.)	±0.5%		
	Minimum Load	0%	0%	3%
	Maximum Capacitive Load	470-23,000µF depending on model		
	Ripple	<0.2% Vout +40mV max (Vp-p)		
	Noise	<0.5% Vout +50mV max (Vp-p)		
	Efficiency	70%	67%	67%
	Hold-up Time	15 ms min.		
	Switching Frequency	100 kHz		
Protection	Over Power Protection	Hiccup technique, auto-recovery		
	Over Voltage Protection	Zener diode clamp		
	Short Circuit Protection	Hiccup mode, indefinite (automatic recovery)		
Isolation	Input-Output (V.AC)	3000V		
	Input-FG (V.AC)	1500V		
	Output-FG (V.AC)	500V		
Environment	Operating Temperature	-25°C...+70°C (with derating)		
	Storage Temperature	-40°C...+85°C		
	Temperature Coefficient	±0.02%/°C		
	Humidity	95% RH		
	MTBF	>300,000 h @ 25°C (MIL-HDBK-217F)		
Physical	Dimension (L x W x H)	2.28 x 3.46 x 1.9 Inches (58.0 x 88.0 x 48.0 mm)		
	Case Material	Plastic resin with Fiberglass (flammability to UL 94V-2)		
	Weight	140 g		
	Cooling Method	Free air convection		
Safety	Agency Approvals	UL/cUL, CE, TUV		
EMC	EMI (Conducted & Radiated Emission)	EN 55022 class B		
	EMS (Noise Immunity)	EN 50082-1		

All specifications valid at nominal input voltage, full load and +25°C after warm-up time unless otherwise stated.

MECHANICAL DIMENSION (Top View)


PIN#	SINGLE	Dual
1	FG	FG
2	DO NOT CONNECT	DO NOT CONNECT
3	AC IN (N)	AC IN (N)
4	DO NOT CONNECT	DO NOT CONNECT
5	AC IN (L)	AC IN (L)
6	-DC OUT	-DC OUT
7	DO NOT CONNECT	COMMON
8	+DC OUT	+DC OUT

BLOCK DIAGRAM

DERATING
