

PRODUCT NUMBER
91615-YXXZWLF

WHEN NEEDED, SUFFIX LETTER "LF"
INDICATES THE PRODUCT IS RoHS
COMPATIBLE, SEE NOTE 7

OPTIONAL LETTER SEE SHEET 2
N: PRODUCT WITH TYPE MARKING ON CONNECTOR

OPTIONAL LETTER

A: PRODUCT WITH PICK UP CAP PACKED IN
TAPE & REEL SEE TA856.

B: PRODUCT WITH PICK UP CAP PACKED IN TUBE.

NUMBER OF POSITIONS PER ROW: 03 UP TO 30.
MORE THAN 30 POSITIONS ON SPECIAL REQUEST.

PLATING CODE

3= 0.76µm GOLD ON CONTACT AREA.

3.81µm TIN-LEAD ON TAIL.

4= 5µm TIN-LEAD ON CONTACT AREA.

3.81µm TIN-LEAD ON TAIL.

WHEN SUFFIX "LF" IS REQUIRED, 2µm MIN MATTE
TIN OVER 1.27 MIN Ni IS SUPPLIED INSTEAD OF SnPb.

NOTES:

- 1 - HOUSING MAT'L: THERMOPLASTIC GLASS FILLED
FLAME RETARDANT PER UL 94 V-0 COLOR: GREY.
- 2 - TERMINAL MATERIAL: PHOSPHOR BRONZE.
- 3 - PACKAGING:
3 UP TO 4 POSITIONS PRODUCT PACKED IN PLASTIC BOX.
5 UP TO 30 POSITIONS PRODUCT PACKED IN TUBE.
WHOLE 91615-303B PRODUCT PACKED IN TUBE.
- 4 - TO DETERMINE DIMENSIONS:
N = NUMBER OF POSITIONS PER ROW
EXAMPLE: 8 POS: $((N+2) \times 2.54) - 0.08 = 25.32$ mm.
- 5 - RECOMMENDED IR PROFILE PER TA842.
- 6 - Ø2.65 MINI FOR PICK & PLACE ASSEMBLY(=0 INSERTION FORCE).
- 7 - RoHS COMPATIBLE PRODUCT SPECIFICATIONS

a - PLATING:

- "LF" MEANS THE PRODUCT IS LEAD-FREE,
2µm MINIMUM MATTE TIN OVER 1.27µm
MINIMUM NICKEL UNDERPLATE.

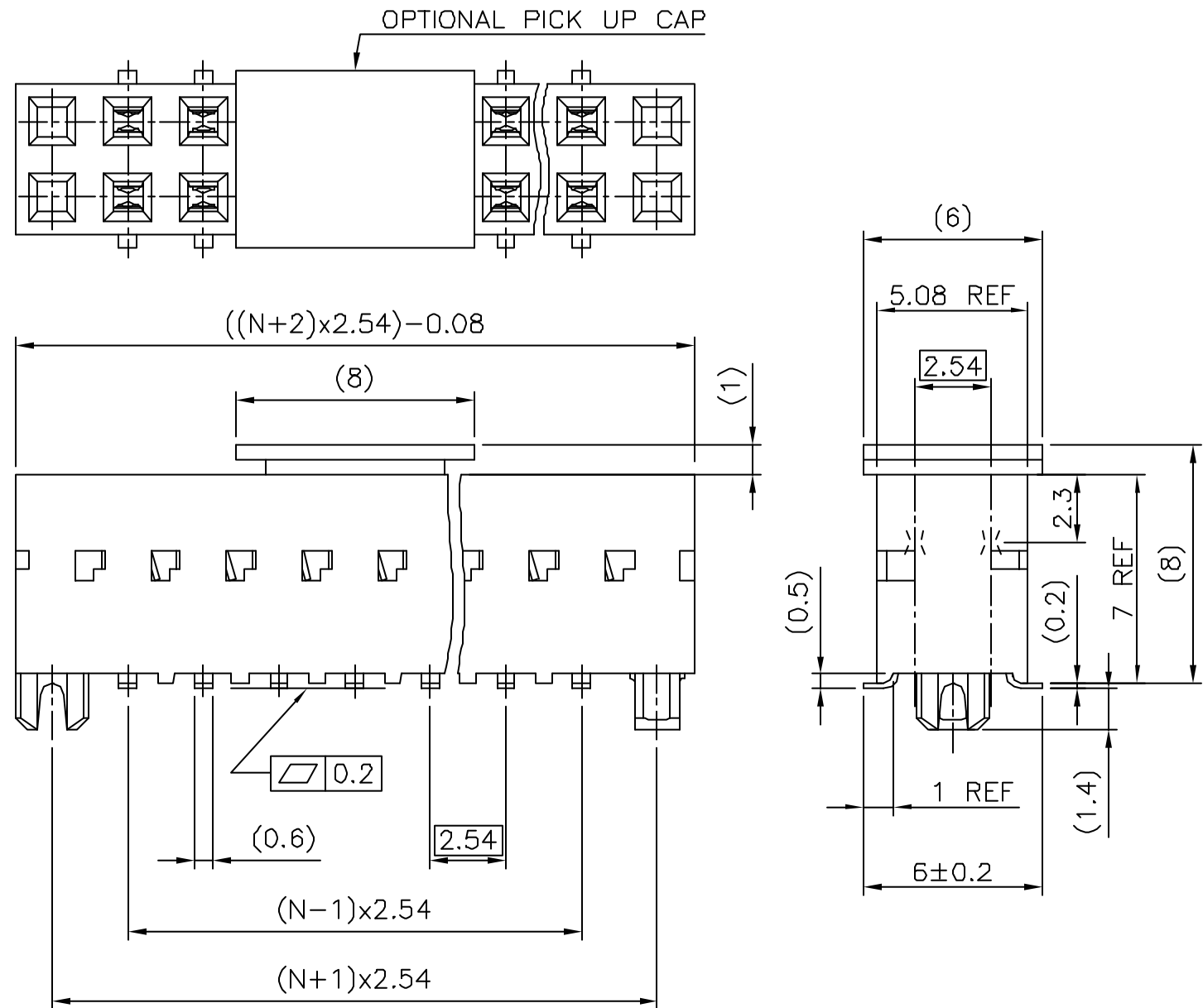
b - MANUFACTURING PROCESS COMPATIBILITY

- THE HOUSING WILL WITHSTAND EXPOSURE TO
260°C PEAK TEMPERATURE FOR 30 SECONDS
MAX IN A CONVECTION, INFRA-RED OR VAPOR
PHASE OR REFLOW OVEN.

c - LABELING:

- MEETS PACKAGING SPECS AS PER GS-14-920

d - LEGAL STATEMENT: SEE GS-22-008



mat'l. code SEE NOTES				surface ISO 1302	tolerance ISO 406 ISO 1101	projection mm	product family DUBOX
ltr	ecn no	dr	date	tolerances unless otherwise specified		mm	title BtB RECEPT. VERT DR SMT
AB	F04-0347	DLE	04.11.10	angles	linear		
AC	F06-0137	DLE	06.02.27			scale 5:1	dwg no 91615
AD	F06-0204	DLE	06.06.23				
AE	F07-0165	DLE	07.03.30	dr	P NIZZI	95.11.17	sheet 1 of 3
				enr	P.NZ	01.07.23	size A3
				chr	P.NZ	01.07.23	type CUSTOMER Drawing
				appd	JF.N	01.07.23	
sheet index	revision sheet	AE 1	D 2	B 3			



Copyright FCI

1

2 3

4

5

6

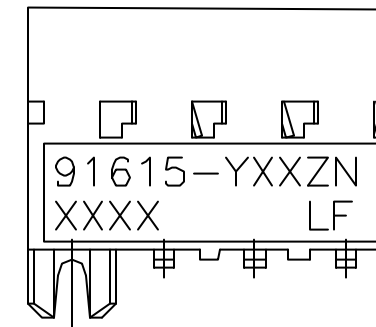
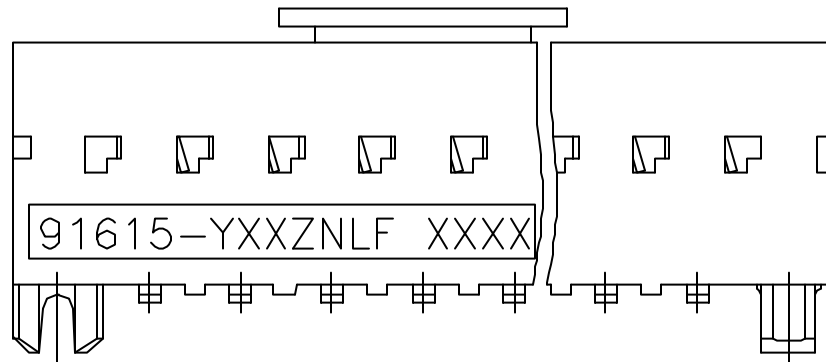
PRODUCT NUMBER
91615-YXXZNLF

WHEN NEEDED, SUFFIX LETTER "LF"
INDICATES THE PRODUCT IS RoHS
COMPATIBLE, SEE NOTE 7

APPLICATION SPECIFIC

PRINTING METHOD FOR 91615-Y07 UP TO -Y50
MARKING: PART NUMBER AND DATE CODE

PRINTING METHOD FOR 91615-Y03 UP TO -Y07



91615-YXXZNLF XXXX

- YEAR CODE
- WEEK CODE
- FOR OTHER OPTION LETTERS SEE SHEET 1
- NUMBER OF POS.
- PLATING CODE



Copyright FCI

mat'l. code				surface ISO 1302 <input checked="" type="checkbox"/> ISO 406 <input type="checkbox"/> ISO 1101 <input type="checkbox"/>		tolerance ISO 406 ISO 1101		projection 		product family DUBOX		
Ltr	ecn no	dr	date	tolerances unless otherwise specified		±0.3		mm		title BtB RECEPT. VERT DR SMT		
A	F10379	DLE	01.07.23	angles	Linear			scale N/A		dwg no 91615		
B	F04-0347	DLE	04.11.10							sheet 2 of - A3		
C	F06-0137	DLE	06.02.27	±2'						type CUSTOMER Drawing		
D	F06-0204	DLE	06.06.23	dr	D.LE	01.07.23						
				enr	P.NZ	01.07.23						
				chr	P.NZ	01.07.23						
				appd	JF.N	01.07.23						
sheet index	revision sheet											

1

2

3

4

5

6

1

2 3

4

5

6

A

B

C

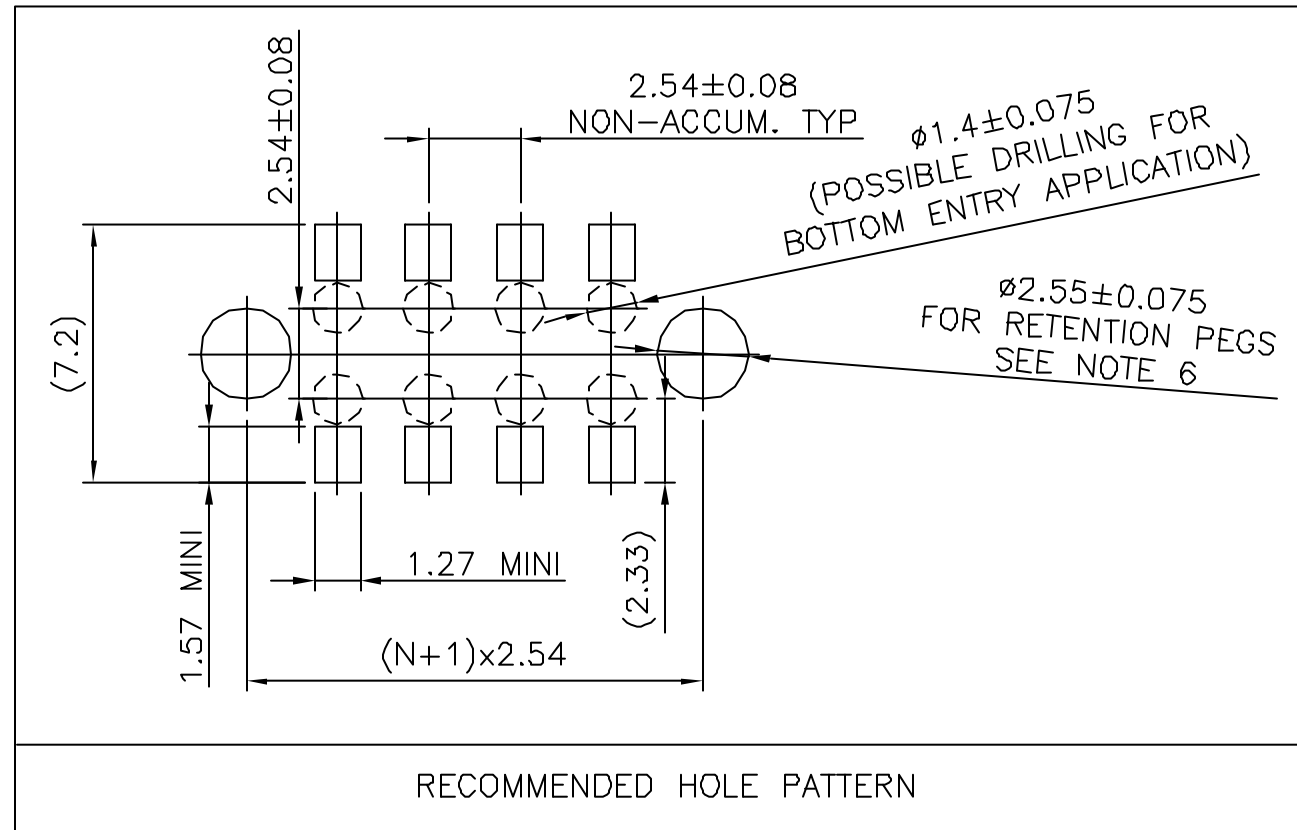
D

A

B

C

D



Copyright FCI

mat'l. code				surface ISO 1302 ✓		tolerance ISO 406 ISO 1101		projection mm		product family DUBOX	
ltr				ecn no		dr		date		title	
A				F04-0347		DLE		04.11.10		BtB RECEPT. VERT DR SMT	
B				F06-0204		DLE		06.06.23			
				angles		Linear		±0.3		scale N/A	
				±2'						FCI	
				dr		D.LE		04.11.10		dwg no	
				enr		P.NZ		04.11.10		sheet 3 of -	
				chr		P.NZ		04.11.10		size	
				appd		P.NZ		04.11.10		A3	
sheet index		revision sheet								type CUSTOMER Drawing	

form: A3

1

2

3

4

5

6