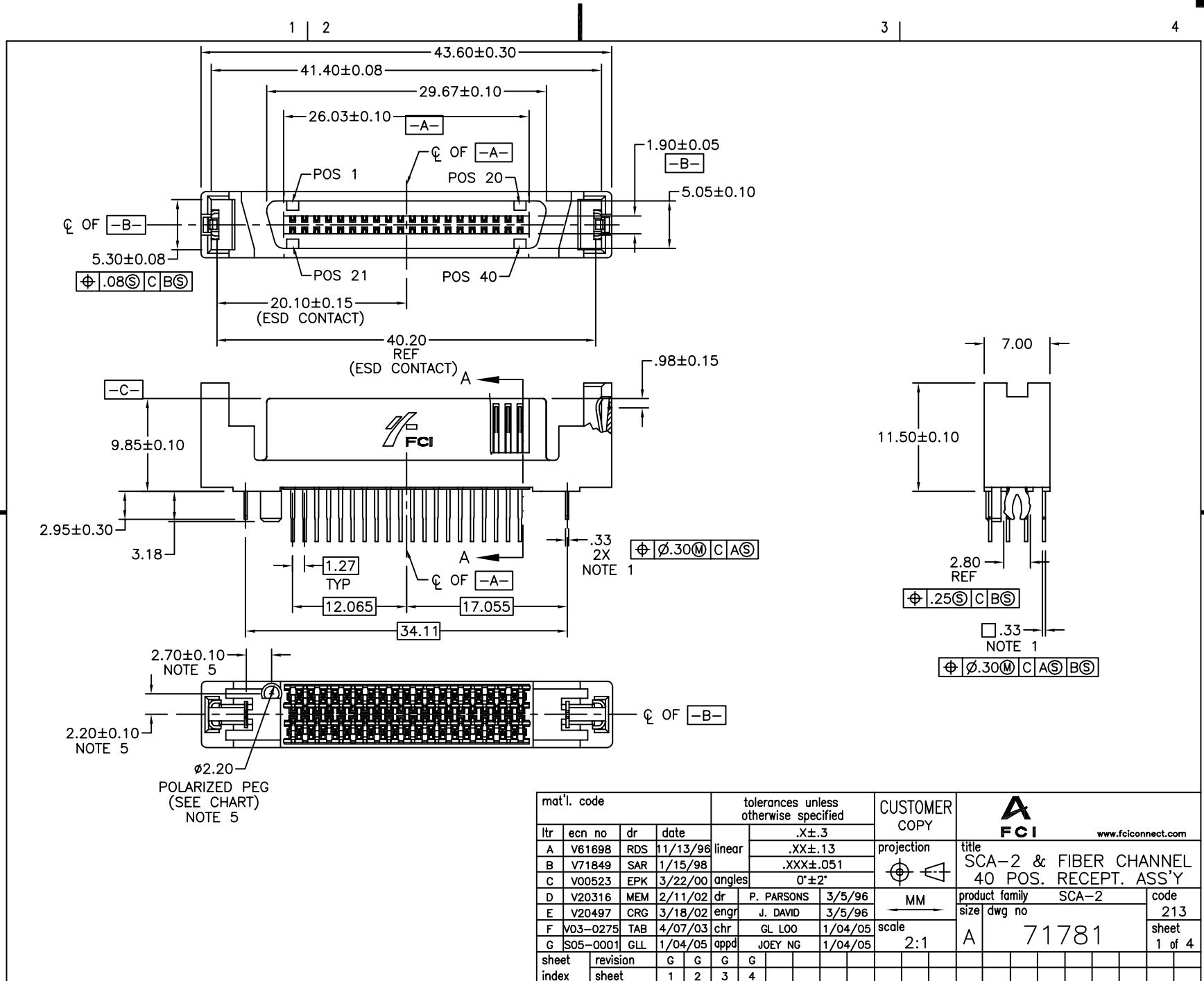


Tous droits strictement reserves. Reproduction ou communication a des tiers interdite sous quelque forme que ce soit sans autorisation ecrite du proprietaire. Propriete de c FCI. Droits de reproduction FCI.



All rights strictly reserved. Reproduction or issue to third parties in any form whatever is not permitted without written authority from the proprietor. Property of FCI. Copyright FCI.



mat'l. code				tolerances unless otherwise specified			CUSTOMER COPY		 www.fciconnect.com	
ltr	ecn no	dr	date	linear	.X±.3			projection	title	
A	V61698	RDS	11/13/98		.XX±.13				SCA-2 & FIBER CHANNEL	
B	V71849	SAR	1/15/98	angles	.XXX±.051			 MM	product family SCA-2	
C	V00523	EPK	3/22/00		0°±2°				code 213	
D	V20316	MEM	2/11/02	dr	P. PARSONS	3/5/96	scale	size		
E	V20497	CRG	3/18/02	engr	J. DAVID	3/5/96		dwg no		
F	V03-0275	TAB	4/07/03	chr	GL L00	1/04/05	2:1	A		
G	S05-0001	GLL	1/04/05	appd	JOEY NG	1/04/05		71781		
sheet	revision	G	G	G	G				sheet	
index	sheet	1	2	3	4				1 of 4	

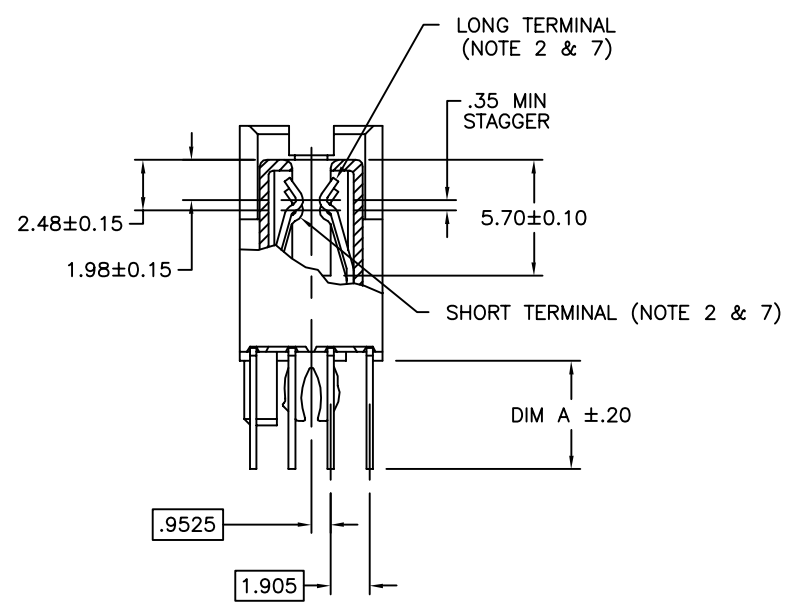
cage code 22526

ACAD



Tous droits strictement reserves. Reproduction ou communication a des tiers interdite sous quelque forme que ce soit sans autorisation ecrite du proprietaire. Propriete de c FCI. Droits de reproduction FCI.

All rights strictly reserved. Reproduction or issue to third parties in any form whatever is not permitted without written authority from the proprietor. Property of FCI. Copyright FCI.



SECTION A-A

mat'l. code		tolerances unless otherwise specified		CUSTOMER COPY		 www.fciconnect.com	
ltr	ecn no	dr	date	linear	.X±.3	projection	
G					.XX±.13		
					.XXX±.051		
				angles	0°±2°	 MM  3:1	title SCA-2 & FIBER CHANNEL 40 POS. RECEPT. ASS'Y product family SCA-2 size dwg no A 71781 code 213 sheet 2 of
		dr	P. PARSONS	3/5/96			
		enfr	J. DAVID	3/5/96			
		chr	GL L00	1/04/05			
		appd	JOEY NG	1/04/05			
sheet index	revision sheet						

cage code  
22526

ACAD

PDM: Rev:G

STATUS: Released

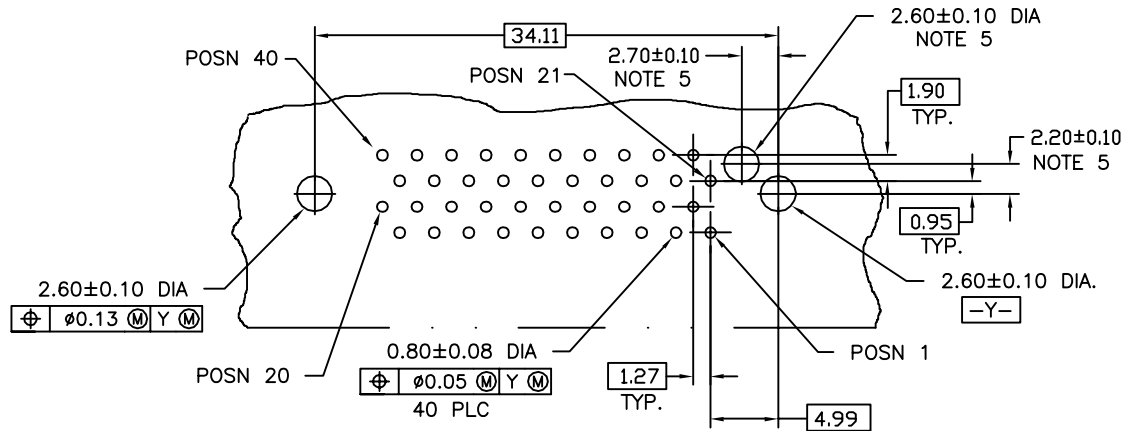
Printed: May 26, 2010

Tous droits strictement reserves. Reproduction ou communication a des tiers interdite sous quelque forme que ce soit sans autorisation écrite du propriétaire. Propriete de c FCI. Droits de reproduction FCI.

**FCI**

All rights strictly reserved. Reproduction or issue to third parties in any form whatever is not permitted without written authority from the proprietor. Property of FCI. Copyright FCI.

PRODUCT NO.	"A" DIM	POLARIZATION PEG	RECOMMENDED P.C. BOARD THICKNESS	PLATING	CONTACT POSITIONS
71781-001	2.79	YES	1.57mm (0.062")	SEE NOTE 4	SEE NOTE 2
-002	2.79	NO			
-003	3.18	YES			
-004	3.18	NO	2.36mm (0.093")		
-005	4.06	YES			
-006	4.06	NO			
71781-007	3.18	YES	SEE NOTE 4	SEE NOTE 7	
71781-101	2.79	YES	SEE NOTE 6	SEE NOTE 2	
-102	2.79	NO			
-103	3.18	YES			
-104	3.18	NO			
-105	4.06	YES			3.18mm (0.125")
71781-106	4.06	NO			



RECOMMENDED PC BOARD MOUNTING DIMENSIONS COMPONENT SIDE

NOTES :

- TRUE POSITION NOTES APPLY AT TERMINAL TIP.
- CONTACTS IN POSITIONS 1 THRU 20,24,25,27,28, 30, 31, 33, AND 34 ARE SHORT TERMINALS. CONTACTS IN POSITIONS 21, 22, 23, 26, 29, 32, AND 35 THRU 40 ARE LONG TERMINALS.
- RAW MATERIALS:  
HOUSING: HTN, UL94V-0, COLOR: BLACK  
CONTACTS: PHOSPHOR-BRONZE
- CONTACT PLATING: 30u" (0.76um) MIN. GXT PLATING OVER 50u" (1.27um) NICKLE MIN. UNDERPLATE IN CONTACT AREA. 100u" (2.54um) MIN. TIN-LEAD PLATING OVER 50u" (1.27um) MIN. NICKLE UNDERPLATE IN P.C. BOARD LEG AREA. 50u" (1.27um) MIN. NICKLE UNDERPLATE OVER REMAINING AREA.
- DIMENSIONS DO NOT APPLY TO CONNECTOR STYLES WITHOUT POLARIZATION PEG. (SEE CHART)
- CONTACT PLATING: 30u" (0.76um) MIN. GOLD PLATING OVER 50u" (1.27um) NICKLE MIN. UNDERPLATE IN CONTACT AREA. 100u" (2.54um) MIN. TIN-LEAD PLATING OVER 50u" (1.27um) MIN. NICKLE UNDERPLATE IN P.C. BOARD LEG AREA. 50u" (1.27um) MIN. NICKLE UNDERPLATE OVER REMAINING AREA.
- CONTACTS IN POSITIONS 1 THRU 21, 24, 25, 30-32, 35 & 40 ARE LONG TERMINALS. CONTACTS IN POSITIONS 22, 23, 26, 27, 28, 29, 33, 34, 36-39 ARE SHORT TERMINALS.

mat'l. code		tolerances unless otherwise specified		CUSTOMER COPY		FCI	
ltr	ecn no	dr	date	linear	.X±.3	projection	title
G				angles	.XX±.13	MM	SCA-2 & FIBER CHANNEL
				dr	.XXX±.051	scale	40 POS. RECEPT. ASS'Y
				engr	0±2"	2:1	product family SCA-2
				chr			size
				appd			dwg no
sheet index	revision sheet						code
							213
							sheet 3 of

cage code 22526

ACAD

PDM: Rev:G

STATUS: Released

Printed: May 26, 2010

Tous droits strictement reserves. Reproduction ou communication a des tiers interdite sous quelque forme que ce soit sans autorisation ecrite du proprietaire. Propriete de c FCI. Droits de reproduction FCI.



All rights strictly reserved. Reproduction or issue to third parties in any form whatever is not permitted without written authority from the proprietor. Property of FCI. Copyright FCI.

PRODUCT NO.	"A" DIM	POLARIZATION PEG	RECOMMENDED P.C. BOARD THICKNESS	PLATING	CONTACT POSITIONS
71781-001LF	2.79	YES	1.57mm (0.062")	SEE NOTE 9	SEE NOTE 2
-002LF	2.79	NO			
-003LF	3.18	YES			
-004LF	3.18	NO	2.36mm (0.093")		
-005LF	4.06	YES			
-006LF	4.06	NO			
71781-007LF	3.18	YES	2.36mm (0.093")	SEE NOTE 9	SEE NOTE 7
71781-101LF	2.79	YES	1.57mm (0.062")	SEE NOTE 8	SEE NOTE 2
-102LF	2.79	NO			
-103LF	3.18	YES			
-104LF	3.18	NO	2.36mm (0.093")		
-105LF	4.06	YES			
71781-106LF	4.06	NO			

NOTES :

- ⑧ CONTACT PLATING: 30u" (0.76um) MIN. GOLD PLATING OVER 50u" (1.27um) NICKLE MIN. UNDERPLATE IN CONTACT AREA. 100u" (2.54um) - 200u" (5.08um) TIN PLATING OVER 50u" (1.27um) - 100u" (2.54um) NICKEL UNDERPLATE IN P.C. BOARD LEG AREA. 50u" (1.27um) NICKEL UNDERPLATE OVER REMAINING AREA.
- ⑨ CONTACT PLATING: 30u" (0.76um) MIN. GXT PLATING OVER 50u" (1.27um) NICKLE MIN. UNDERPLATE IN CONTACT AREA. 100u" (2.54um) - 200u" (5.08um) TIN PLATING OVER 50u" (1.27um) - 100u" (2.54um) NICKLE UNDERPLATE IN P.C. BOARD LEG AREA. 50u" (1.27um) NICKLE UNDERPLATE OVER REMAINING AREA.
- ⑩ THE HOUSING WILL WITHSTAND EXPOSURE TO 260°C PEAK TEMPERATURE FOR 10 SECONDS IN A WAVE SOLDER APPLICATION WITH A 1.57mm MINIMUM THICK CIRCUIT BOARD.
- ⑪ THIS PRODUCT MEETS EUROPEAN UNION DIRECTIVES AND OTHER COUNTRY REGULATIONS AS DESCRIBED IN GS-22-008.

mat'l. code				tolerances unless otherwise specified		CUSTOMER COPY		 www.fciconnect.com		
ltr	ecn no	dr	date	linear	.X±.3		projection	title		
G					.XX±.13				SCA-2 & FIBER CHANNEL	
					.XXX±.051				40 POS. RECEPT. ASS'Y	
				angles	0°±2°		 MM 2:1	product family SCA-2		
				dr	P. PARSONS	3/5/96		size	dwg no	code
				enfr	J. DAVID	3/5/96		A	71781	213
				chr	GL L00	1/04/05		sheet		4 of 4
				appd	JOEY NG	1/04/05	cage code			
sheet index	revision sheet						22526			

ACAD

PDM: Rev:G

STATUS: Released

Printed: May 26, 2010