

Silicon NPN Power Transistors

2SC4742

DESCRIPTION

- With TO-3PN package
- Built-in damper diode
- High breakdown voltage

APPLICATIONS

- Character display horizontal deflection output

PINNING

PIN	DESCRIPTION
1	Base
2	Collector;connected to mounting base
3	Emitter

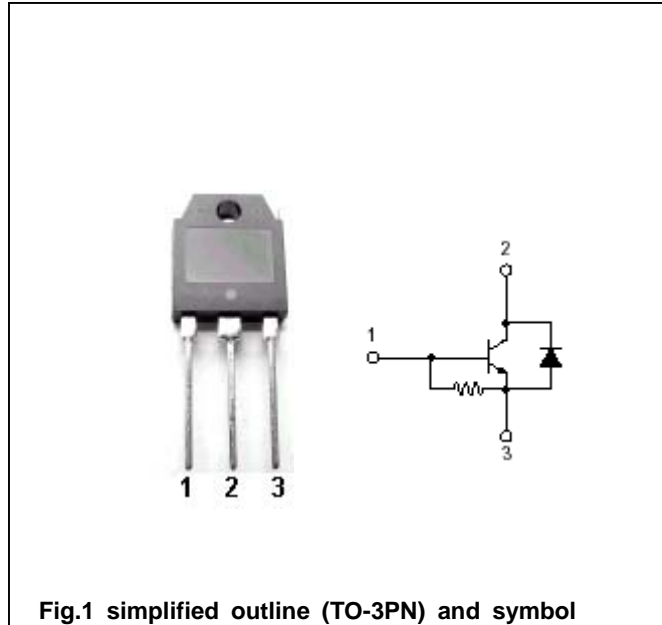


Fig.1 simplified outline (TO-3PN) and symbol

Absolute maximum ratings(Ta=)

SYMBOL	PARAMETER	CONDITIONS	VALUE	UNIT
V _{CEO}	Collector-emitter voltage	Open base	1500	V
V _{EBO}	Emitter-base voltage	Open collector	6	V
I _C	Collector current		6	A
I _{C(peak)}	Collector current-peak		7	A
I _{C(surge)}	Collector current-surge		16	A
I _o	C to E diode forward current		7	A
P _C	Collector power dissipation	T _C =25	50	W
T _j	Junction temperature		150	
T _{stg}	Storage temperature		-55~150	

Silicon NPN Power Transistors

2SC4742

CHARACTERISTICS

T_j=25 unless otherwise specified

SYMBOL	PARAMETER	CONDITIONS	MIN	TYP.	MAX	UNIT
V _{(BR)EBO}	Emitter-base breakdown voltage	I _E =400mA ; I _C =0	6			V
I _{CES}	Collector cut-off current	V _{CE} =1500V; R _{BE} =0			0.5	mA
h _{FE}	DC current gain	I _C =1A ; V _{CE} =5V			25	
V _{CE(sat)}	Collector-emitter saturation voltage	I _C =5A ; I _B =1.25A			2.0	V
V _{BE(sat)}	Base-emitter saturation voltage	I _C =5A ; I _B =1.25A			1.5	V
V _{ECF}	Diode forward voltage	I _F =6A			2.0	V
t _f	Fall time	I _{CP} =5A; I _{B1} =1A; I _{B2} =-2A			0.4	μs

Silicon NPN Power Transistors

2SC4742

PACKAGE OUTLINE

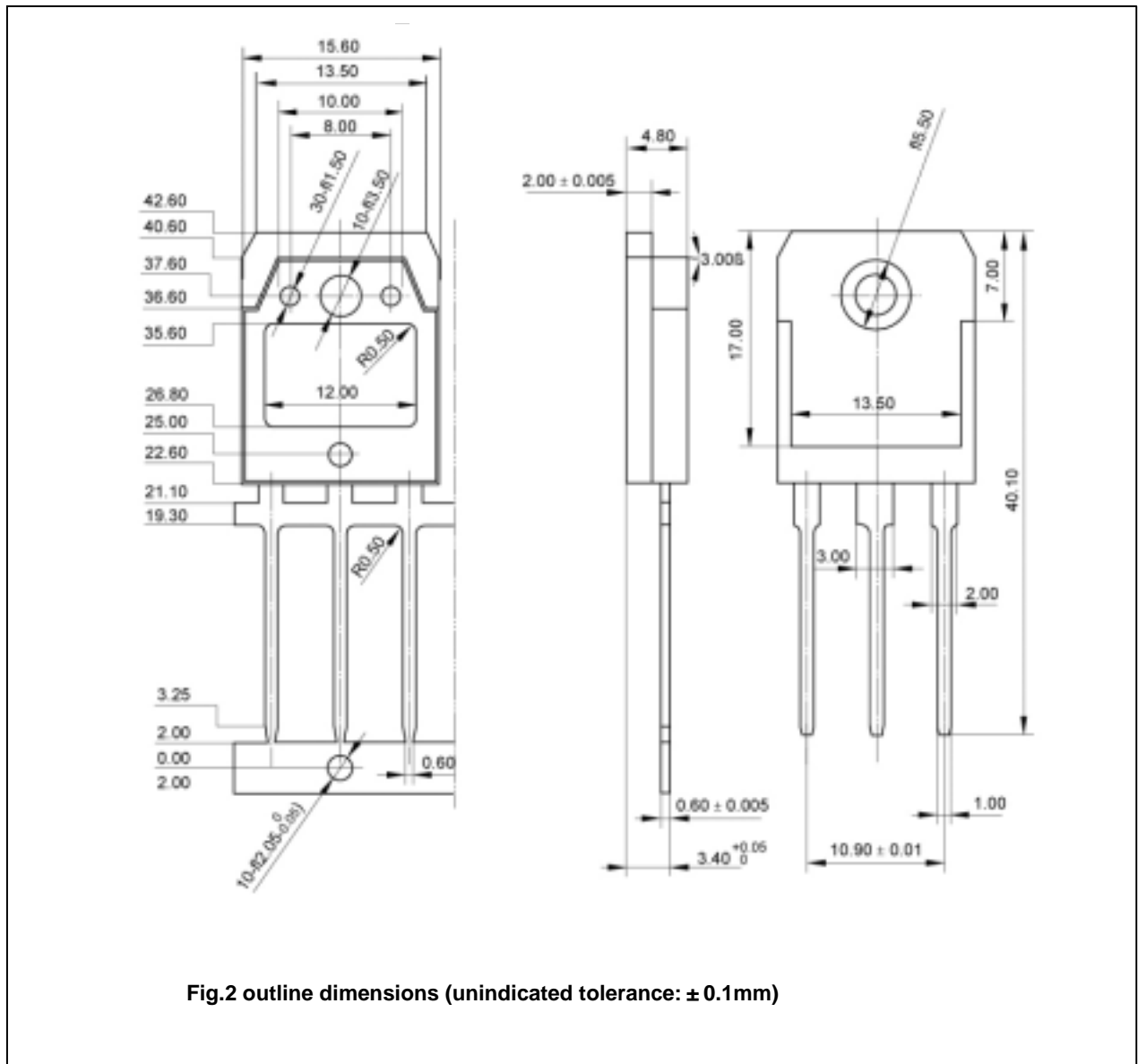


Fig.2 outline dimensions (unindicated tolerance: ± 0.1mm)