

TITLE  
PULSE TRANSFORMER, 1:1

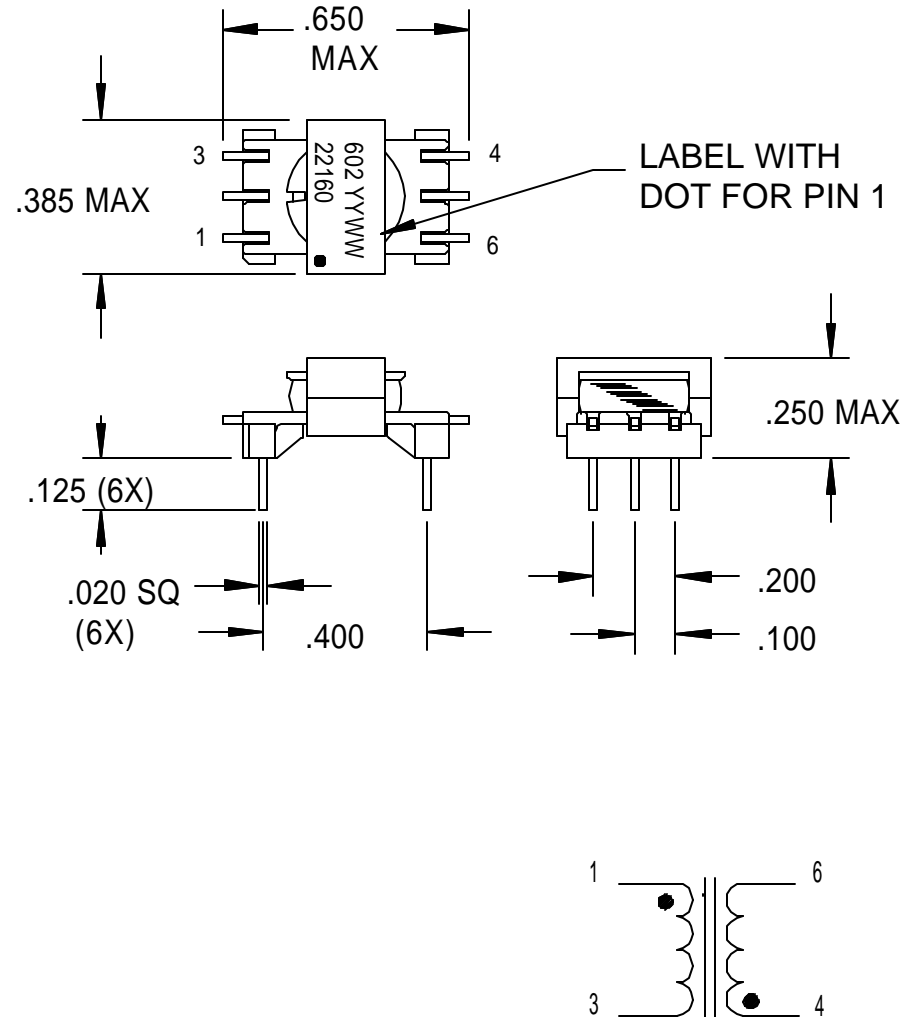
**SCHOTT**  
CORPORATION  
1000 PARKERS LAKE ROAD  
WAYZATA, MN 55391

AGENCY APPROVAL:  
N/A

PART NUMBER 22160  
REV E PAGE 1 END

**SPECIFICATIONS**

1. INDUCTANCE: (1-3) @ 10 KHZ, 0.1 V > 225  $\mu$ HY
2. LEAKAGE INDUCTANCE: (1-3) @ 100 KHZ, (4-6) SHORTED < 0.55  $\mu$ HY
3. INTERWINDING CAPACITANCE: (1-3) TO (4-6) @ 100 KHZ, 1V < 15 pf
4. TURNS RATIO: (1-3):(6-4) = 1:1  $\pm$  2%
5. DCR: (1-3),(4-6) = 0.1 • NOM.
6. HIPOT 1500 VAC
7. THIS TRANSFORMER IS DESIGNED TO OPERATE WITH CRYSTAL SEMICONDUCTOR CS8401.8402, 8411 & 8412.



TOLERANCES	2 PLACE	3 PLACE	ANGLE
UNLESS OTHERWISE NOTED	$\pm$ .01	$\pm$ .005	$\pm$ 1°