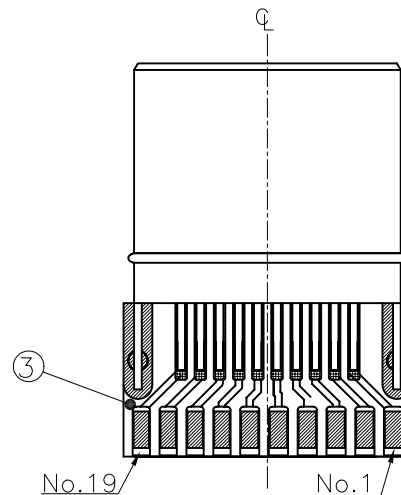
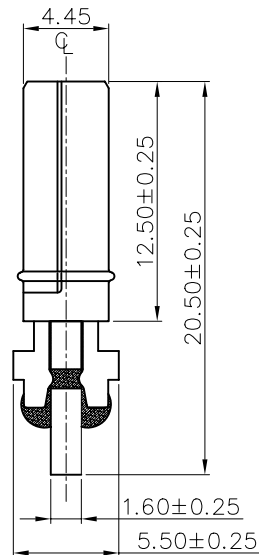
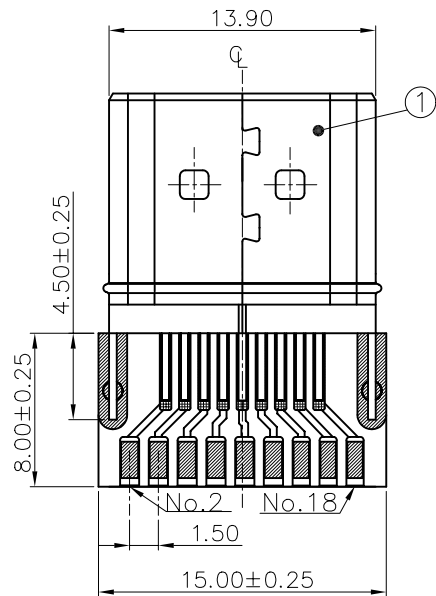
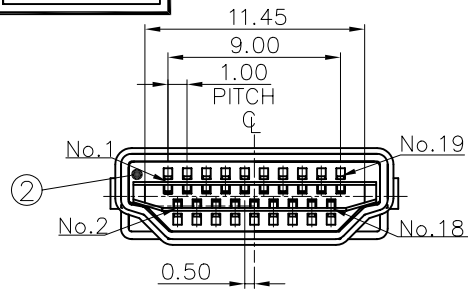




RoHS Compliant
2002/95/EC



NOTES:

100098FJ019SX00ZA
1

1.Plating

- S1-05u" Min. gold in contact area/
100u" Min. Tin in solder area.
- S2-Gold flash in contact area/
100u" Min. Tin in solder area.
- S3-10u" Min. gold in contact area/
100u" Min. Tin in solder area.
- S4-15u" Min. gold in contact area/
100u" Min. Tin in solder area.
- S5-30u" Min. gold in contact area/
100u" Min. Tin in solder area.

4	Terminal	Copper Alloy	_____	Gold/tin Plated Over Ni
3	PC Board	FR-4	_____	_____
2	Housing	High Temp.	Black	UL 94V-0
1	Shell	Metal	_____	Gold Plated
NO.	DESCRIPTION	MATERIAL	COLOR	REMARK

SUYIN
CONNECTOR

CUSTOMER COPY TITLE: HDMI Solder Type Male Connector

PART NO. 100098FJ019SX00ZA

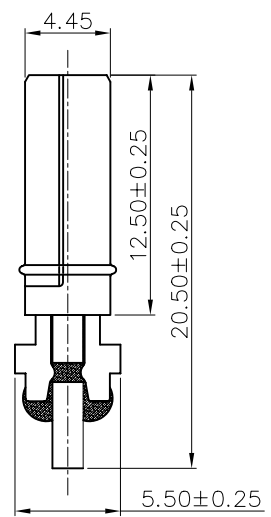
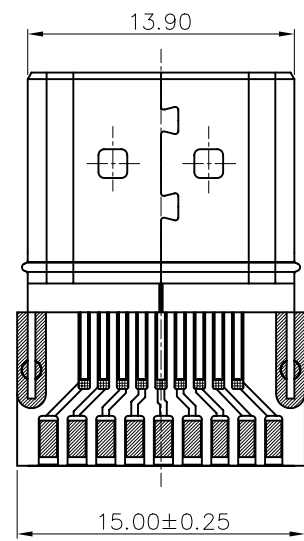
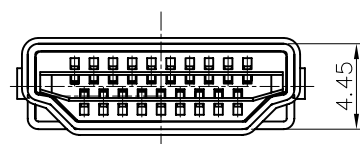
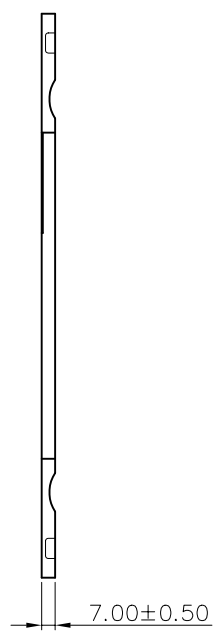
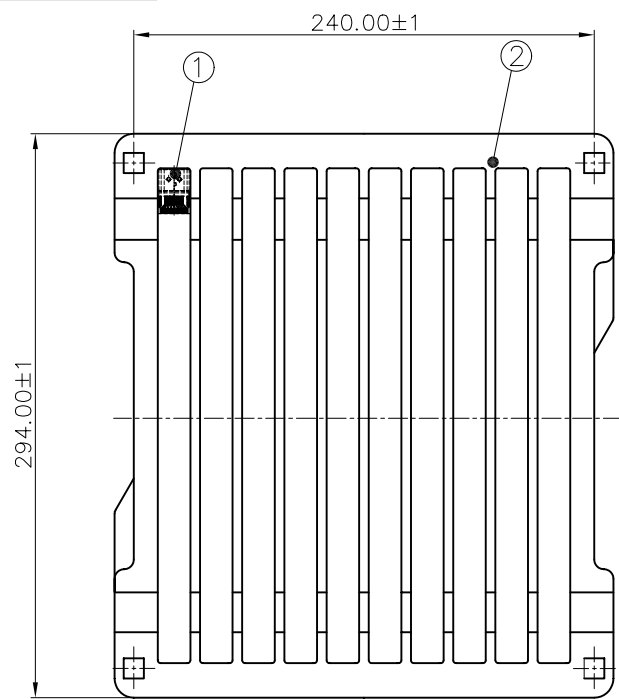
PRODUCT SPEC. 100098FX019XXXXZX

FILE NAME. D 100098FJ019SX00ZA-C
TING

SCALE 2.5:1 UNIT:mm A4 SHEET: 1 of 2

ECN(DCN) NO.	REV	DATE	DESCRIPTION	CHANGE	APPRO.	GENERAL TOLERANCE UNLESS OTHERWISE NOTED	Angle	±2'	DRAW	李楠	06'/11/30
	0		NEW RELEASE	李楠 童俐		30 ~ ±0.50			DESIGN	李楠	06'/11/30
DCB-061109-09	PA	06'/11/09	PA1:1.50±0.08->1.50;	鄧綬長 吳星德		10 ~ 30 ±0.30			CHECK	鄭冰雨	06'/11/30
	P0	06'/08/28	NEW	李楠 童俐		~ 10 ±0.15			APPRO.	童俐	06'/11/30


RoHS Compliant
 2002/95/EC
 Process Capable



SCALE: 2.5:1


1 Package Information

Product Number	Q'ty per tray
100098FJ019SX00ZA	120 Pcs

NOTE: 1. All dimensions tolerance are: $\pm 0.30\text{mm}$ unless otherwise specified.
 2. TRAY: T=0.60mm

2	Tray	PVC	Trans	——
1	Product	——	——	100098FJ019SX00ZA
NO.	DESCRIPTION	MATERIAL	COLOR	REMARK

SUYIN
CONNECTOR

CUSTOMER COPY	TITLE: HDMI Solder Type Male Connector		
PART NO.	100098FJ019SX00ZA		
PRODUCT SPEC.	100098FX019XXXXZX		
FILE NAME.	D	100098FJ019SX00ZA-C	
SCALE	1:4	UNIT: mm	A4  SHEET: 2 of 2

DCB-061109-09	REV	DATE	DESCRIPTION	CHANGE	APPRO.	Angle	$\pm 2^\circ$	DRAW	李楠	06'/11/30
	0		NEW RELEASE	李楠 童俐		30 ~	± 0.50	DESIGN	李楠	06'/11/30
	PA	06'/11/09	PA1: 1.50±0.08->1.50;	鄧綬長 吳星德		10 ~ 30	± 0.30	CHECK	鄭冰雨	06'/11/30
	P0	06'/08/28	NEW	李楠 童俐		~ 10	± 0.15	APPRO.	童俐	06'/11/30
ECN(DCN) NO.	REV	DATE	DESCRIPTION	CHANGE	APPRO.	GENERAL TOLERANCE UNLESS OTHERWISE NOTED				