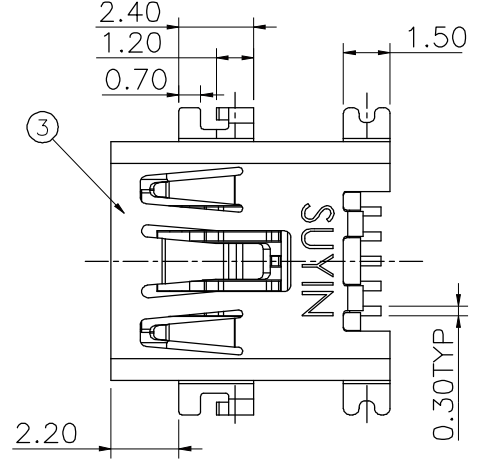
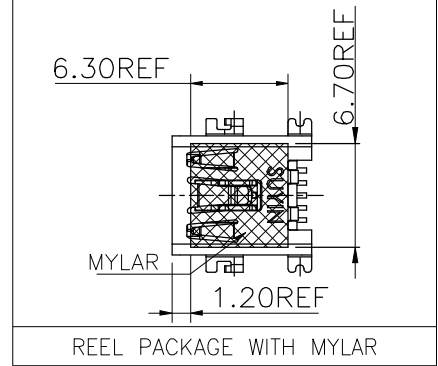
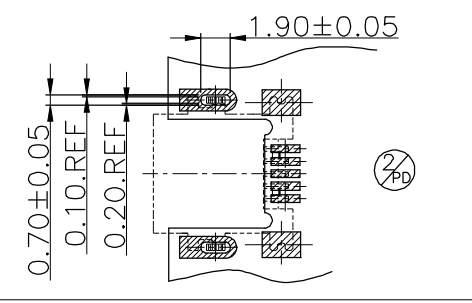
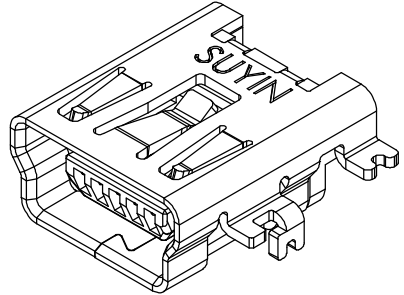
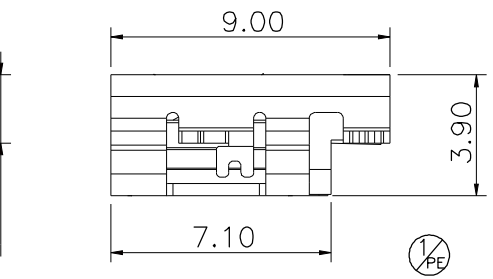
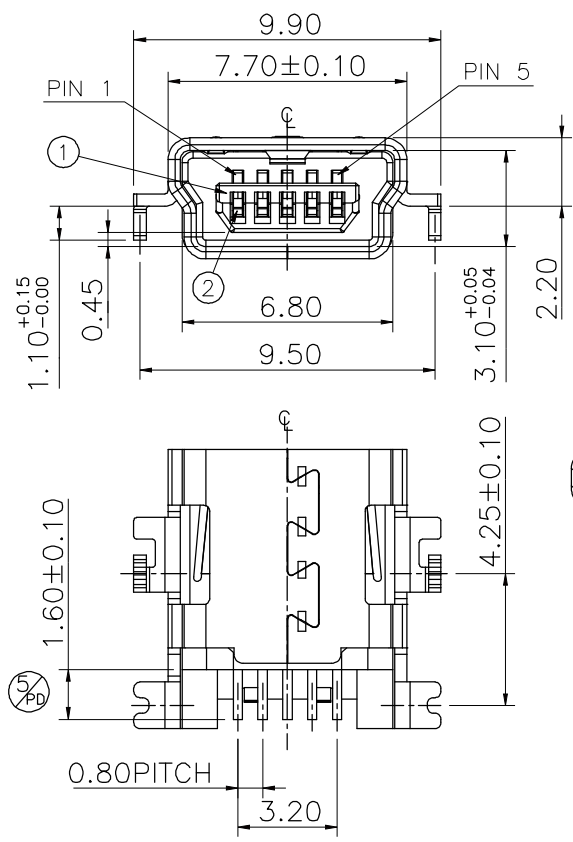
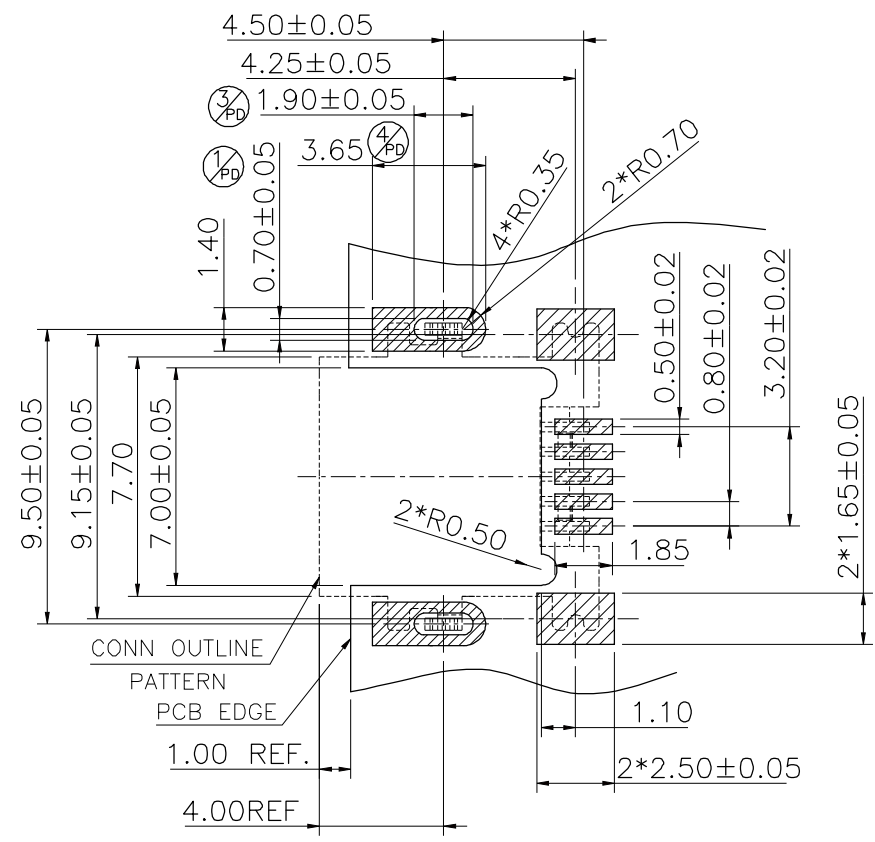


Pb **RoHS Compliant** **HSF**
 Process Capable 2002/95/EC

Level-1 Controlled Substances are banned



RECOMMENDED P.C.B. LAYOUT (COMPONENT SIDE)
 WITHOUT LOCKING FUNCTION



NO.	DESCRIPTION	MATERIAL	COLOR	REMARK
3	SHELL	COPPER ALLOY	—	NICKEL PLATED
2	TERMINAL	COPPER ALLOY	—	GOLD/TIN PLATED
1	PLASTICS	HIGH TEMP. PLASTIC	BLACK	UL 94V-0

SUYIN
CONNECTOR

CUSTOMER COPY	TITLE: MINI USB CONNECTOR			
PART NO.	020200MB005S535ZR			
PRODUCT SPEC.	020200MBXXXXX35XX			
FILE NAME.	DING	020200MB005S535ZR-C		
SCALE	4:1	UNIT:mm	A4	SHEET: 1 of 2

DCB	REV	DATE	DESCRIPTION	CHANGE	APPRO.	GENERAL TOLERANCE UNLESS OTHERWISE NOTED	APPRO.
DCB-071212-07	PE	07/12/12	PE 1: 隨工程圖面版次變更而變更版次	單良輝	蔡志鴻	Angle ±2°	DRAW
DCB-071110-06	PD	07/11/10	PD1: 0.60±0.05~0.70±0.05; PD2: 增加定位參考尺寸; PD3: 1.70±0.05~1.90±0.05; PD4: 3.45~3.65; PD5: 1.90±0.10~1.60±0.10	單良輝	蔡志鴻	30 ~ ±0.50	DESIGN
ECN(DCN) NO.	REV	DATE	DESCRIPTION	CHANGE	APPRO.	~ 10 ±0.15	CHECK
							APPRO.

Original: Draw: 童彥淇 Design: 童彥淇 Check: 鄧高云 Appr: 簡士鈞 發行日期: 07/05/22

070522-BA100