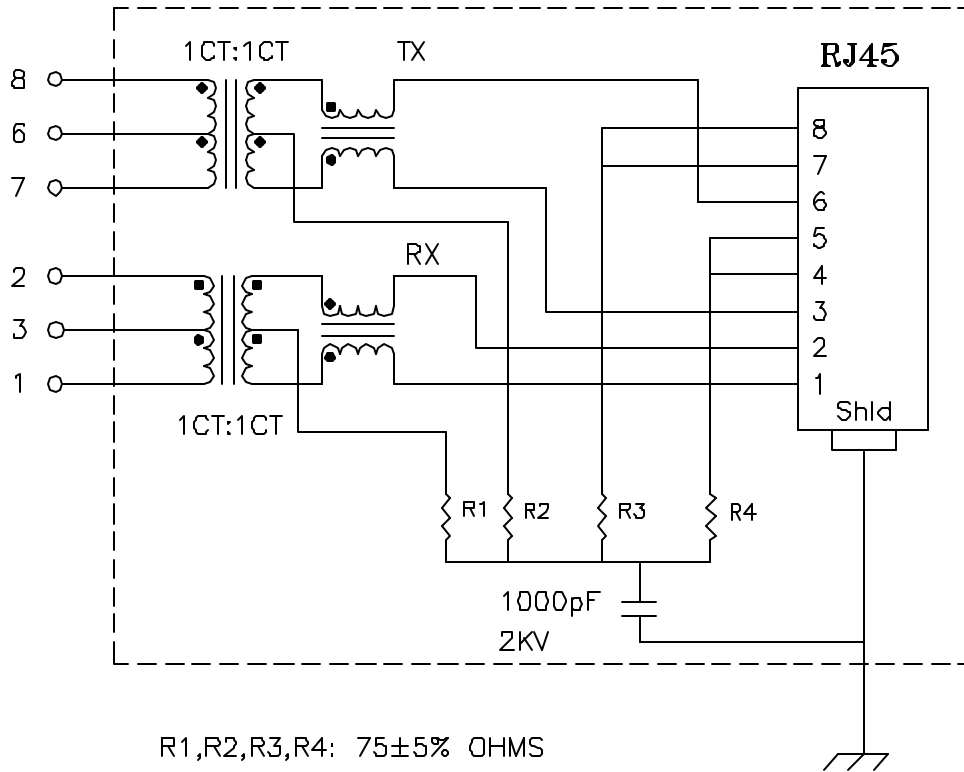


Schematic: (one of four)



Electrical Specifications: @25°C

- Isolation Voltage: 1500 Vrms (Input to Output)
- Isolation Voltage: 500 Vrms (P1+2+3 to P6+7+8)
- Turns Ratio: TX 1CT:1CT ±3% RX 1CT:1CT ±3%
- CABLE SIDE OCL: 350uH Minimum @100KHz 100mV 8mADC
- Insertion Loss (300KHz-100MHz): -1.0dB Maximum
- Return Loss: @30MHz -20dB Minimum
- @80MHz -15dB Typ

Notes:

1. Solderability: Leads shall meet MIL-STD-202, Method 208D for solderability.
2. Flammability: UL94V-0
3. ASTM oxygen index. > 28%
4. Insulation System: Class F 155°C UL file E151556
5. Operating Temperature Range: All listed parameters are to be within tolerance from 0°C to +70°C
6. Storage Temperature Range: -55°C to +125°C
7. Aqueous wash compatible

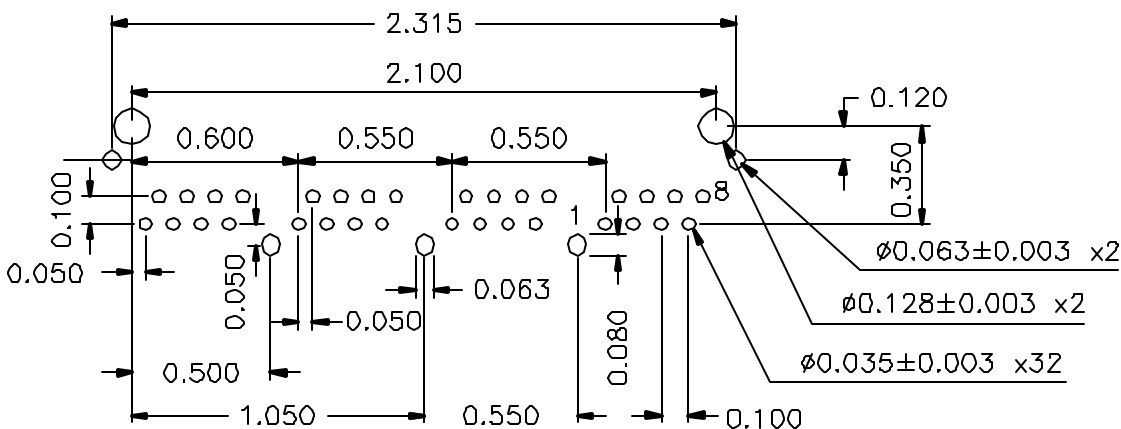
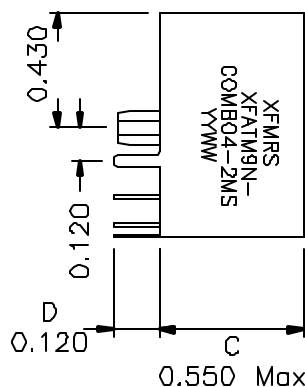
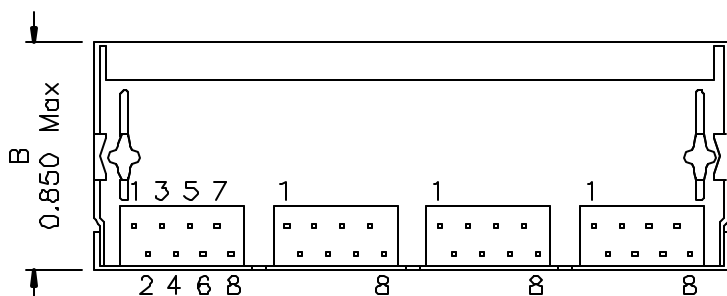
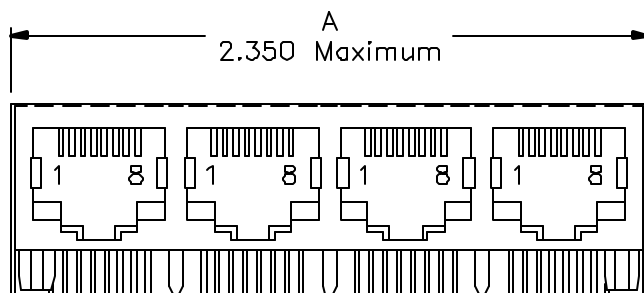
DOC. REV: A/1

XFMRs Inc.		Title: SINGLE PORT COMBO	
UNLESS OTHERWISE SPECIFIED		P/N: XFATM9N-COMBO4-2MS REV. A	
TOLERANCES: .xxx ±0.010		DWN.	罗振江 Feb-11-04
Dimensions in Inch		CHK.	廖玉坤 Feb-11-04
SHEET 1 OF 2		APP.	MS Feb-11-04

PROPRIETARY:

Document is the property of XFMRs Group & is not allowed to be duplicated without authorization.

Mechanical Dimensions: (FOR COMB04-2MS)



SUGGESTED MOUNTING PATTERN

DOC. REV: A/1

PROPRIETARY:

Document is the property of XFMRS Group & is not allowed to be duplicated without authorization.

XFMRS Inc.	Title: Mechanical Dimensions For COMB04-2MS Series		
	UNLESS OTHERWISE SPECIFIED	P/N:XFATM9N-COMB04-2MS	REV A
TOLERANCES:	DWN.	Kang Chen	Feb-11-04
.xxx ±0.010	CHK.	YK Liao	Feb-11-04
Dimensions in Inch	APP.	MS	Feb-11-04
SHEET 2 OF 2			