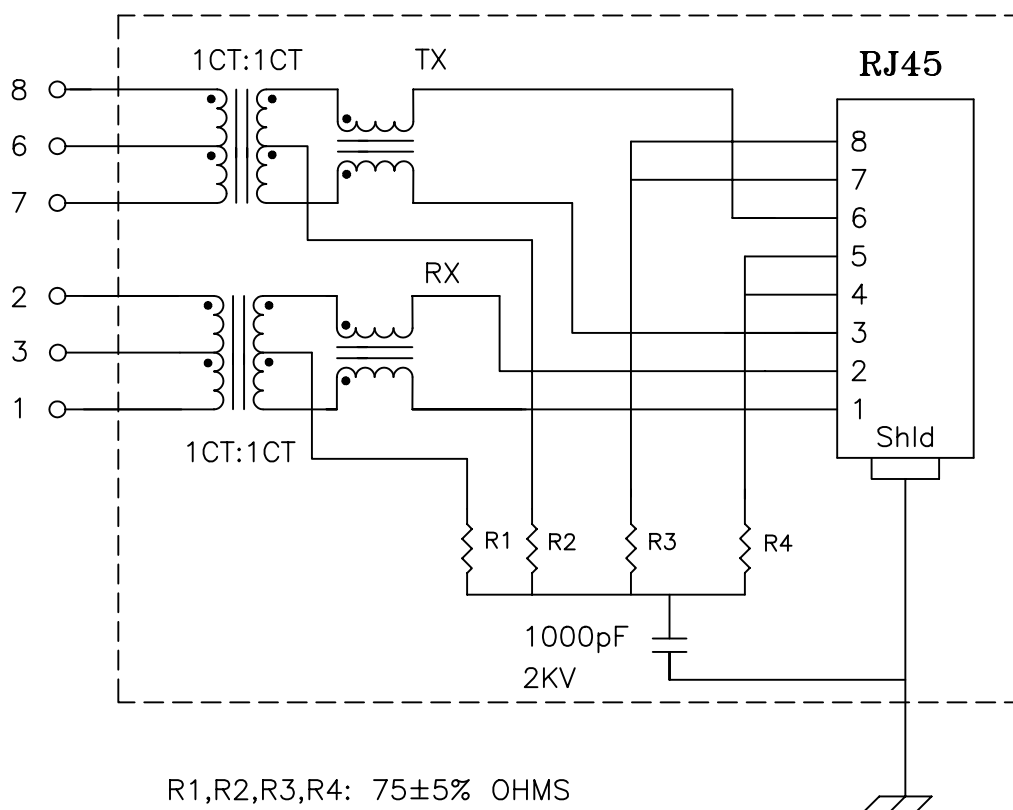


## Schematic:



## Electrical Specifications: @25°C

Isolation Voltage: 1500 Vrms (Input to Output)

Isolation Voltage: 500 Vrms (P1+2+3 to P6+7+8)

Turns Ratio: TX 1CT:1CT ±3% RX 1CT:1CT ±3%

CABLE SIDE OCL: 350uH Minimum @100KHz 100mV 8mADC

Insertion Loss (300KHz-100MHz): -1.0dB Maximum

Return Loss: @30MHz -20dB Minimum

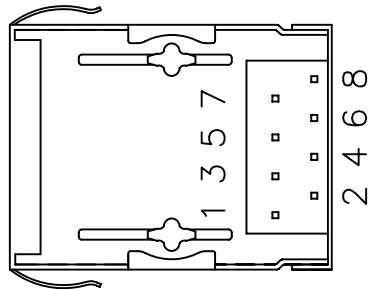
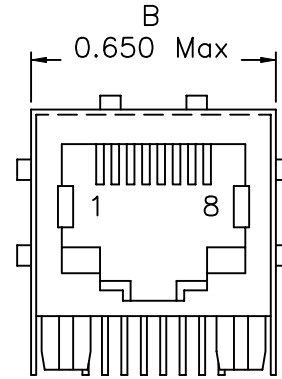
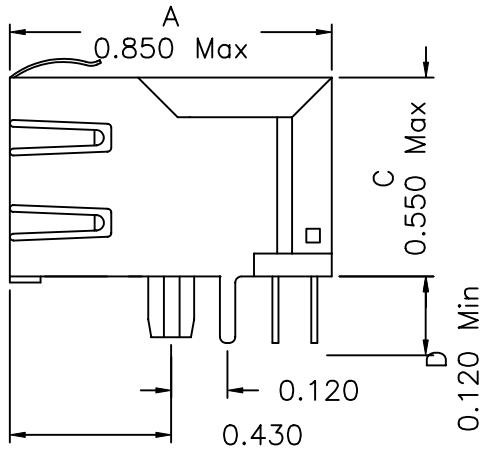
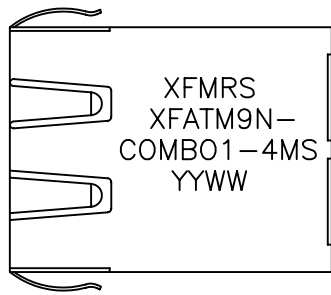
@80MHz -15dB Typ

### Notes:

1. Solderability: Leads shall meet MIL-STD-202, Method 208D for solderability.
2. Flammability: UL94V-0
3. ASTM oxygen index: > 28%
4. Insulation System: Class F 155°C. UL file E151556
5. Operating Temperature Range: All listed parameters are to be within tolerance from 0°C to +70°C
6. Storage Temperature Range: -55°C to +125°C
7. Aqueous wash compatible

|  |                                 |      |           |
|--|---------------------------------|------|-----------|
| <b>XFMRs Inc.</b>  | Title: <b>SINGLE PORT COMBO</b> |      |           |
| UNLESS OTHERWISE SPECIFIED<br>TOLERANCES:<br>.xxx ±0.010<br>Dimensions in Inch | P/N: XFATM9N-COMBO1-4MS         |      | REV. A    |
|  | DWN.                            | 罗振江  | Nov-20-03 |
| DOC. REV: A/1  | CHK.                            | 廖玉坤  | Nov-20-03 |
|  | SHEET 1 OF 2                    | APP. | MS        |
|  |                                 |      | Nov-20-03 |

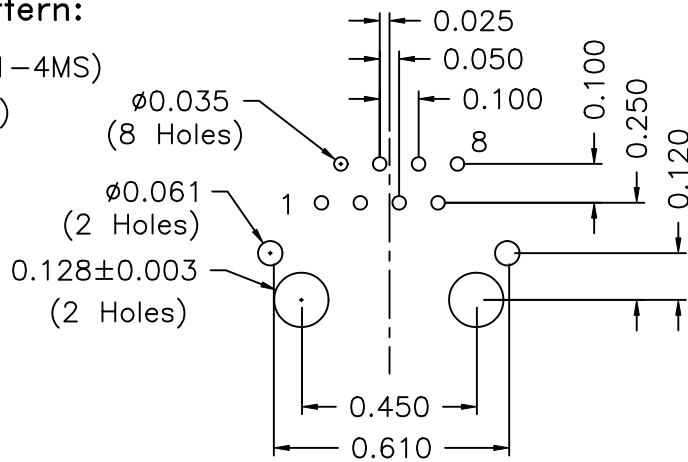
# Mechanical Dimensions:



(BOTTOM VIEW)

## Mounting Pattern:

(FOR COMBO1-4MS)  
(COMP SIDE)



|                   |  |                         |           |
|-------------------|--|-------------------------|-----------|
| <b>XFMRS Inc.</b> | Title: Mechanical Dimensions<br>For COMBO1-4MS Series                          |                         |           |
|                   | UNLESS OTHERWISE SPECIFIED<br>TOLERANCES:<br>.xxx ±0.010<br>Dimensions in Inch | P/N: XFATM9N-COMBO1-4MS | REV. A    |
| DOC REV: A/1      | SHEET 2 OF 2   | DWN. 罗振江                | Nov-20-03 |
|                   |  | CHK. 廖玉坤                | Nov-20-03 |
|                   |  | APP. MS                 | Nov-20-03 |