



Micro Commercial Components

Micro Commercial Components
 20736 Marilla Street Chatsworth
 CA 91311
 Phone: (818) 701-4933
 Fax: (818) 701-4939

TIP125/126/127

Features

- The complementary NPN types are the TIP121/2/3 respectively
- Lead Free Finish/RoHS Compliant(Note 1) ("P" Suffix designates RoHS Compliant. See ordering information)
- Case Material: Molded Plastic. UL Flammability Classification Rating 94V-0 and MSL Rating 1
- Marking : part number

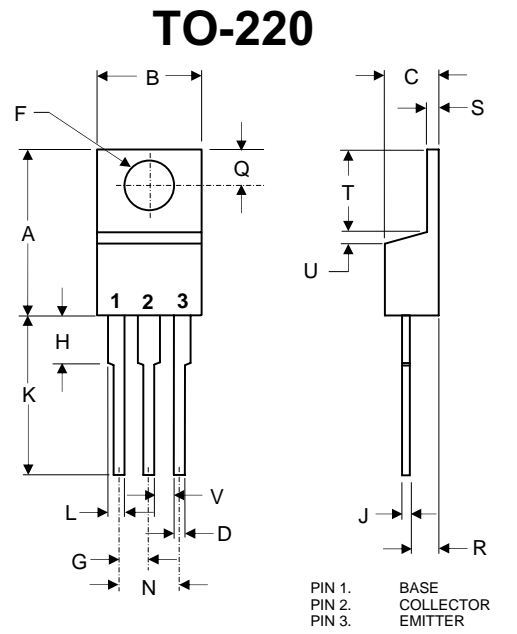
Silicon PNP Darlington Power Transistors

Absolute Maximum Ratings @ T_a = 25°C (unless otherwise noted)

| Symbol | Parameter | Value | Unit |
|--|---------------------------------------|--------------------|------|
| V _{CB0} TIP125 TIP126 TIP127 | Collector-base voltage (Open emitter) | -60 -80 -100 | V |
| V _{CE0} TIP125 TIP126 TIP127 | Collector-emitter voltage (Open base) | -60 -80 -100 | V |
| V _{EB0} | Emitter-base Voltage(Open collector) | -5 | V |
| I _C | Collector Current | -5 | A |
| I _{CM} | Collector Current Pulse | -8 | A |
| I _B | Base Current | -0.12 | A |
| P _C | Total Device Dissipation(Ta=25°C) | 2 | W |
| | Total Device Dissipation(Tc=25°C) | 40 | W |
| T _J | Junction Temperature | 150 | °C |
| T _{STG} | Storage Temperature Range | -65 to +150 | °C |

Electrical Characteristics @ 25°C Unless Otherwise Specified

| Symbol | Parameter | Min | Max | Units |
|--|--|--------------------|--------------|-------|
| V _{CE(SUS)} TIP125 TIP126 TIP127 | Collector-emitter sustaining voltage (I _C =-100mA; I _B =0) | -60 -80 -100 | | V |
| V _{CE(sat)} | Collector-emitter Saturation Voltage (I _C =-3A I _B =-0.012A) (I _C =-5A I _B =-0.02A) | | -2.0 -4.0 | V |
| V _{BE} | Base-emitter Voltage (I _C =-3A; V _{CE} =-3V) | | -2.5 | V |
| I _{CB0} TIP125 TIP126 TIP127 | Collector cut-off current (V _{CB} =-60V; I _E =0) (V _{CB} =-80V; I _E =0) (V _{CB} =-100V; I _E =0) | -0.2 | | mA |
| I _{CE0} TIP125 TIP126 TIP127 | Collector cut-off current (V _{CE} =-30V; V _{EB} =0) (V _{CE} =-40V; V _{EB} =0) (V _{CE} =-50V; V _{EB} =0) | -0.5 | | mA |
| I _{EB0} | Emitter cut-off current (V _{EB} =-5V; I _C =0) | | -2.0 | mA |
| H _{fe} | DC current gain (I _C =-0.5A; V _{CE} =-3V) (I _C =-3.0A; V _{CE} =-3V) | 1000 1000 | | |
| C _{OB} | Output capacitance (I _E =0; V _{CB} =-10V, f=0.1MHz) | | 300 | PF |



| DIM | DIMENSIONS | | | | NOTE |
|-----|------------|------|-------|-------|------|
| | INCHES | | MM | | |
| A | .560 | .625 | 14.22 | 15.88 | |
| B | .380 | .420 | 9.65 | 10.67 | |
| C | .140 | .190 | 3.56 | 4.82 | |
| D | .020 | .045 | 0.51 | 1.14 | |
| F | .139 | .161 | 3.53 | 4.09 | ∅ |
| G | .190 | .110 | 2.29 | 2.79 | |
| H | --- | .250 | --- | 6.35 | |
| J | .012 | .025 | 0.30 | 0.64 | |
| K | .500 | .580 | 12.70 | 14.73 | |
| L | .045 | .060 | 1.14 | 1.52 | |
| N | .190 | .210 | 4.83 | 5.33 | |
| Q | .100 | .135 | 2.54 | 3.43 | |
| R | .080 | .115 | 2.04 | 2.92 | |
| S | .045 | .055 | 1.14 | 1.39 | |
| T | .230 | .270 | 5.84 | 6.86 | |
| U | ---- | .050 | ---- | 1.27 | |
| V | .045 | ---- | 1.15 | ---- | |

Notes:1.High Temperature Solder Exemption Applied, see EU Directive Annex 7.



Micro Commercial Components

Ordering Information

| | |
|----------------------------|---------------------------|
| Device (Part Number)-BP | Packing Bulk;1Kpcs/Box |
|----------------------------|---------------------------|

*****IMPORTANT NOTICE*****

Micro Commercial Components Corp. reserve the right to make changes without further notice to any product herein to make corrections, modifications , enhancements , improvements , or other changes .
Micro Commercial Components Corp. does not assume any liability arising out of the application or use of any product described herein; neither does it convey any license under its patent rights ,nor the rights of others . The user of products in such applications shall assume all risks of such use and will agree to hold *Micro Commercial Components Corp.* and all the companies whose products are represented on our website, harmless against all damages.

*****APPLICATIONS DISCLAIMER*****

Products offer by *Micro Commercial Components Corp.* are not intended for use in Medical, Aerospace or Military Applications.