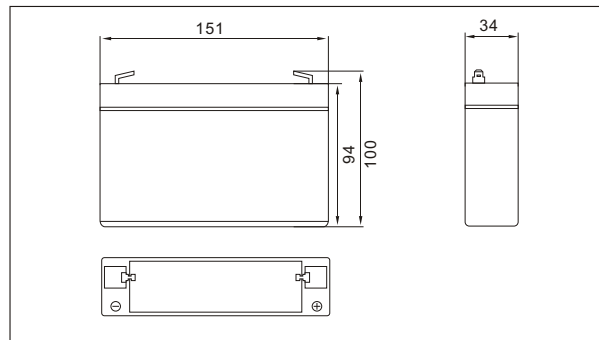




# SW670(6V7.0AH)



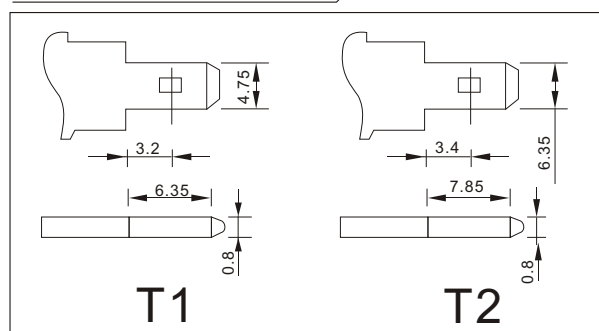
### Outer dimensions (mm)



### Specifications

Nominal Voltage		6 V
Rated capacity (20hour rate)		7.0 Ah
Dimensions	Total Height	100 mm(3.94 inches)
	Height	94 mm(3.70 inches)
	Length	151 mm(5.94 inches)
	Width	34 mm(1.34 inches)
Weight Approx		1.20 Kg(2.65lbs)

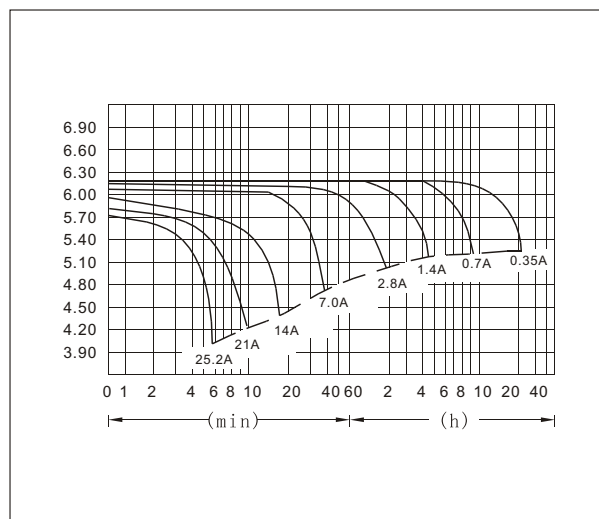
### Terminal Type (mm)



### Characteristics

Capacity 25°C(77°F)	20 hour rate(0.35A)	7.00 AH
	10 hour rate(0.64A)	6.40 AH
	5 hour rate(1.20A)	6.00 AH
	1 hour rate(4.20A)	4.20 AH
	1.5 hour discharge to 5.25 V	2.8 A
Internal Resistance	Full charged Battery at 25°C(77°F)	13 mΩ
Capacity affected by Temperature (20hour rate)	40°C(104°F)	102%
	25°C(77°F)	100%
	0°C(32°F)	85%
	-15°C(5°F)	65%
Self-Discharge at 25°C(77°F)	Capacity after 3 month storage	91%
	Capacity after 6 month storage	82%
	Capacity after 12 month storage	64%
Terminal	T1 or T2	
Charge (constant Voltage)	Cycle	Initial Charging Current less than 2.80A Voltage 7.20-7.35V
	Float	Voltage 6.75-6.90V

### Discharge Curves 25°C(77°F)



Time	5min	10min	15min	30min	1h	2h	3h	4h	5h	8h	10h	20h
4.80V	A	25.2	16.5	12.3	8.1	4.2	2.45	1.80	1.45	1.23	0.81	0.36
	W	131	89	66	43.3	22.8	13.4	10.03	8.14	6.99	4.65	2.10
5.10V	A	23.1	15.8	11.3	7.6	3.9	2.35	1.75	1.40	1.20	0.80	0.35
	W	124	88	63	42.9	22.3	13.5	10.14	8.14	7.01	4.65	2.07
5.25V	A	21.0	14.8	10.5	7.4	3.8	2.30	1.72	1.33	1.20	0.79	0.35
	W	116	84	60	42.6	22.0	13.4	10.02	7.79	6.97	4.64	2.07
5.40V	A	20.2	14.1	9.8	7.2	3.7	2.25	1.69	1.31	1.14	0.77	0.34
	W	113	81	56	41.7	21.4	13.2	9.98	7.71	6.72	4.55	2.03
5.55V	A	18.7	13.3	9.1	7.0	3.6	2.19	1.60	1.28	1.09	0.75	0.33
	W	106	77	53	41.0	20.9	12.9	9.52	7.64	6.49	4.48	2.01