

N Series — Low Profile Filtered Modular RJ Jack

N Series



UL Recognized
CSA Certified



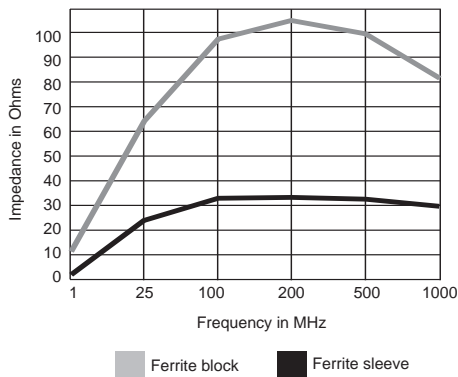
Shield 3
RJ11

Shield 4
RJ45

N Series

Low profile version of our SIGNAL SENTRY Filtered Modular Jack series. Available with sleeve or block inductors and optional grounded shielding. Grounded shielding allows connection to grounded cables for additional RFI protection.

Typical Impedance in Ohms



Specifications

Contacts:

Material:	Phosphor Bronze
Plating:	50 microinches gold
Barrier underplating:	100 microinches nickel
Resistance:	
Initial:	20 milliohms max.
After durability testing: (500 mating cycles)	30 milliohms max.

PCB Terminals:

Solderability	60/40
---------------	-------

Ferrites:

Type:	High resistivity, nickel zinc ceramic
Sleeves:	Single-aperture cylinders
Block:	Multi-aperture rectangular prism

Shield Material:

Tin-plated copper alloy

Housing Material:

Black glass filled polyester (Valox 457)

Dielectric Withstanding Voltage:

Line-to-line and line-to-ground	1000 VAC for 60 seconds
---------------------------------	----------------------------

Printed Circuit Board Retention:

Before soldering:	1 lb. minimum
After soldering:	20 lb. minimum

Model dimensions and PC board layout on pages 170 to 174.

Part Numbers

RJ11-6N-B	RJ45-8N-B
RJ11-6N-S	RJ45-8N-S
RJ11-6N3-B	RJ45-8N3-B
RJ11-6N3-S	RJ45-8N3-S
RJ11-6N4-B	RJ45-8N4-B
RJ11-6N4-S	RJ45-8N4-S



Shield 3

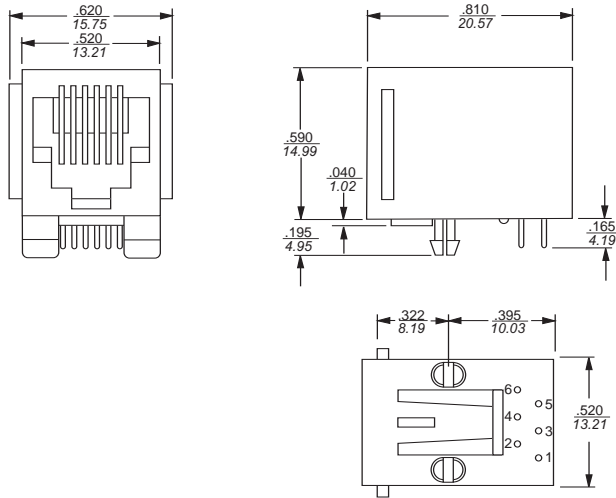
Unshielded

Model Dimensions

Standard Profile RJ Jack Dimensions

For the L, LC, LCT and X Series of RJ Jack Filters

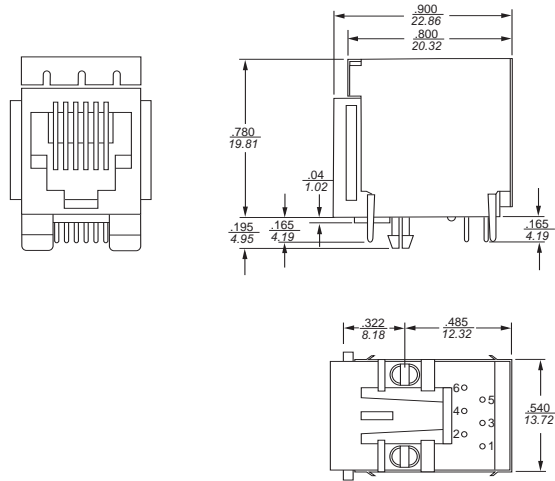
RJ11 (No Shield)



Part Numbers

RJ11-2L-S	RJ11-2L-B	RJ11-2X
RJ11-4L-S	RJ11-4L-B	RJ11-4X
RJ11-6L-S	RJ11-6L-B	RJ11-6X

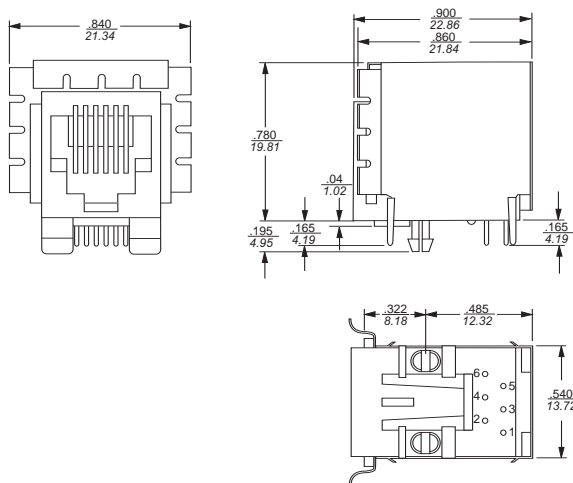
RJ11 (Style 2 Shield)



Part Numbers

RJ11-2LC2-S	RJ11-2LC2-B	RJ11-4L2-S	RJ11-6L2-B
RJ11-4LC2-S	RJ11-4LC2-B	RJ11-6L2-S	RJ11-6LCT2-S
RJ11-6LC2-S	RJ11-6LC2-B	RJ11-4L2-B	RJ11-6LCT2-B

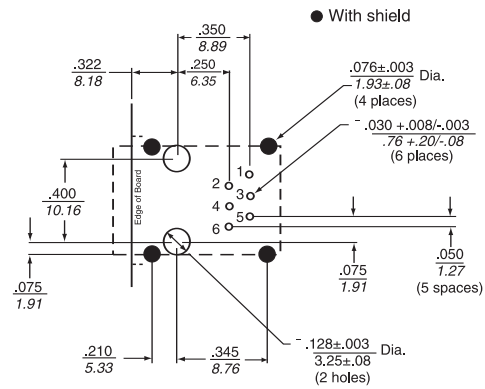
RJ11 (Style 1 Shield)



Part Numbers

RJ11-2LC1-S	RJ11-2LC1-B	RJ11-4L1-S	RJ11-6L1-B
RJ11-4LC1-S	RJ11-4LC1-B	RJ11-6L1-S	RJ11-6LCT1-S
RJ11-6LC1-S	RJ11-6LC1-B	RJ11-4L1-B	RJ11-6LCT1-B

RJ11 (PC Board Layout)



Shown from Component Side

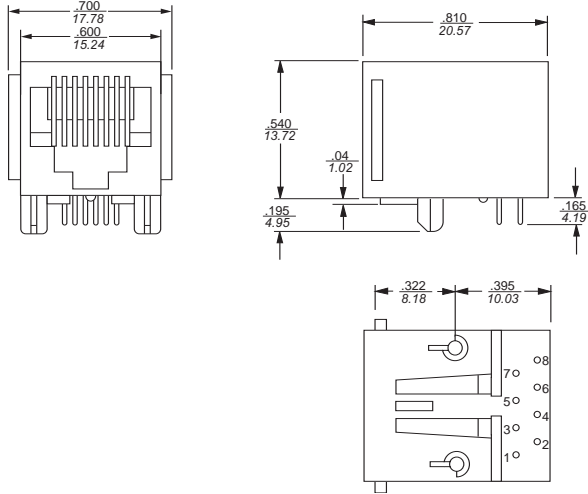
For all RJ11 L, LC, LCT and X Series Models

Model Dimensions (Continued)

Standard Profile RJ Jack Dimensions (cont'd)

For the L, LC, LCT and X Series of RJ Jack Filters

RJ45 (No Shield)

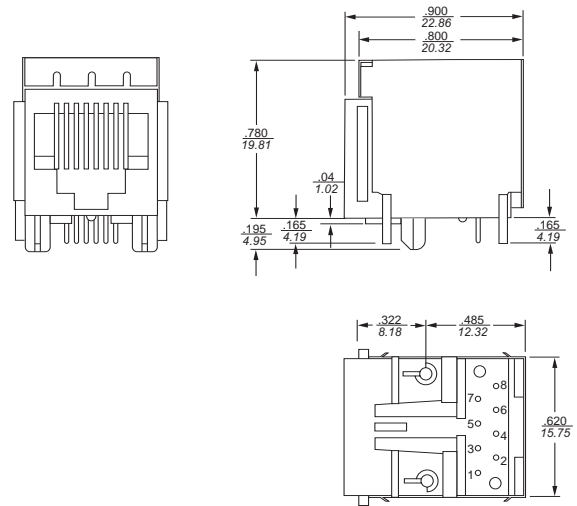


Part Numbers

RJ45-6L-S
RJ45-8L-S
RJ45-6L-B

RJ45-8L-B
RJ45-6X
RJ45-8X

RJ45 (Style 2 Shield)



Part Numbers

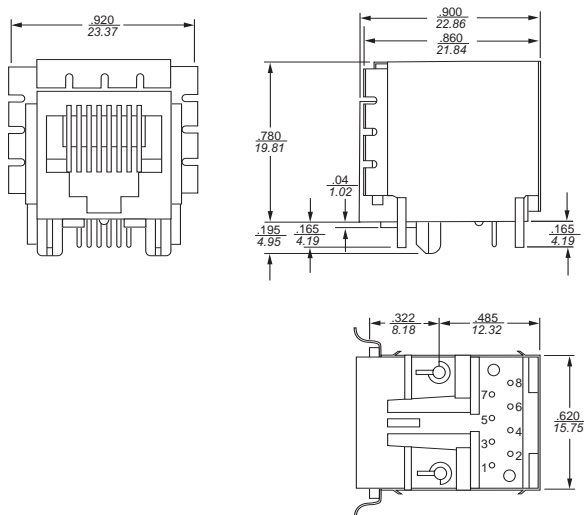
RJ45-6LC2-S
RJ45-6L2-S
RJ45-8LCT2-S

RJ45-8LC2-S
RJ45-8L2-S
RJ45-8LCT2-B

RJ45-6LC2-B
RJ45-6L2-B

RJ45-8LC2-B
RJ45-8L2-B

RJ45 (Style 1 Shield)



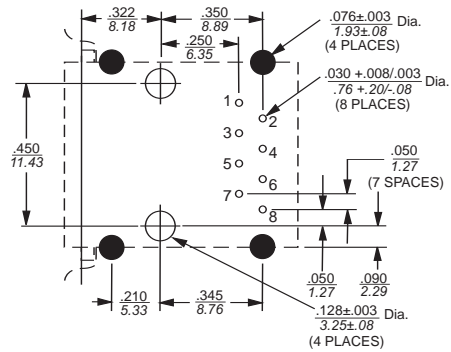
Part Numbers

RJ45-6LC1-S
RJ45-6L1-S
RJ45-8LCT1-S

RJ45-8LC1-S
RJ45-8L1-S
RJ45-8LCT1-B

RJ45-6LC1-B
RJ45-6L1-B
RJ45-8LC1-B
RJ45-8L1-B

RJ45 (PC Board Layout)



Shown from Component Side

For all RJ45 L, LC, LCT and X Series Models.

Part Numbers

RJ45-6LC2-S
RJ45-6L2-S
RJ45-8LCT2-B

RJ45-8LC2-S
RJ45-8L2-S
RJ45-8LCT2-S

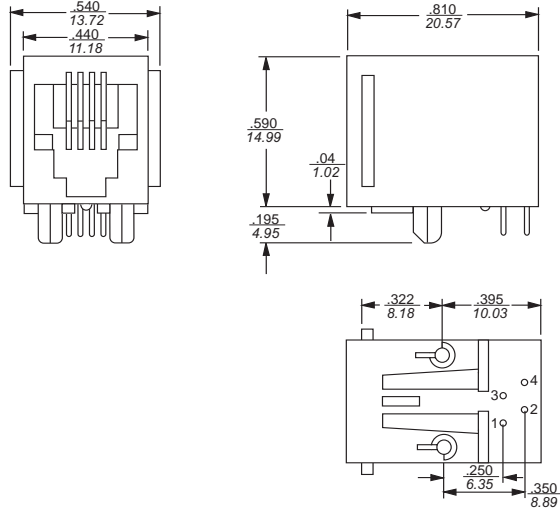
RJ45-6LC2-B
RJ45-6L2-B

RJ45-8LC2-B
RJ45-8L2-B

Model Dimensions (Continued)

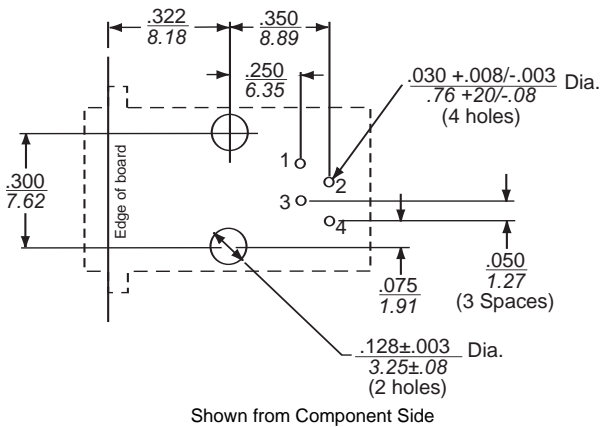
Standard Profile RJ Jack Dimensions (cont'd)
For the L, LC, LCT and X Series of RJ Jack Filters

RJH (No Shield)



Part Numbers
RJH-4-L-B

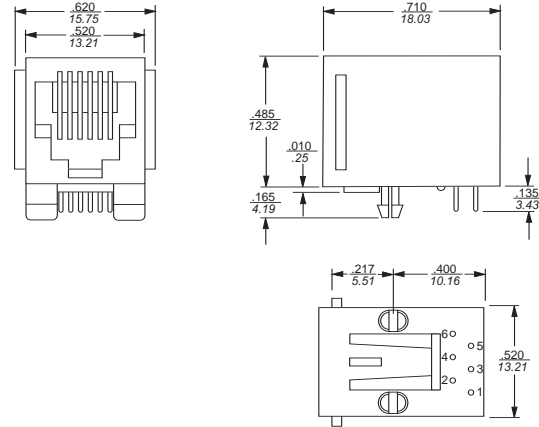
RJH (No Shield - PC Board Layout)



All tolerances ± 0.010 [0.25] unless otherwise noted.

Low Profile RJ Jack Dimensions
For the N and Z Series of RJ Jack Filters

RJ11 (Low Profile - No Shield)

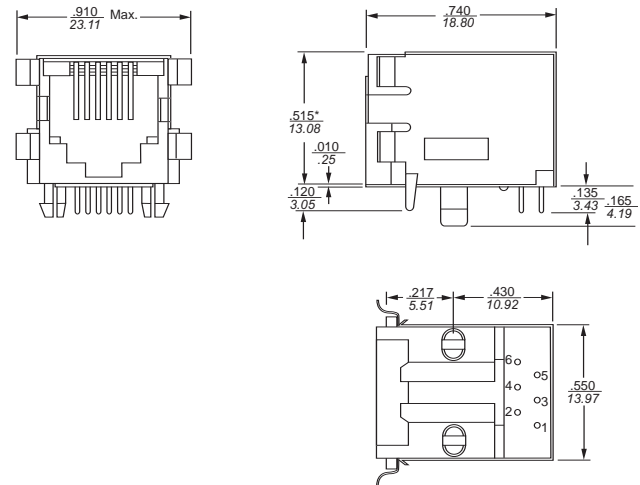


Part Numbers
RJ11-6N-B

RJ11-6N-S

RJ11-6Z

RJ11 Low Profile (Style 3 Shield)



Part Numbers
RJ11-6N3-B

RJ11-6N3-S

RJ11-6Z3

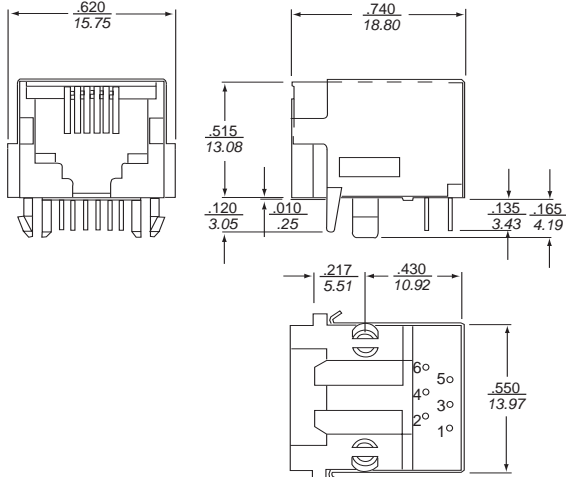
*To top of shield

Model Dimensions (Continued)

Low Profile RJ Jack Dimensions (cont'd)

For the N and Z Series of RJ Jack Filters

RJ11 Low Profile (Style 4 Shield)

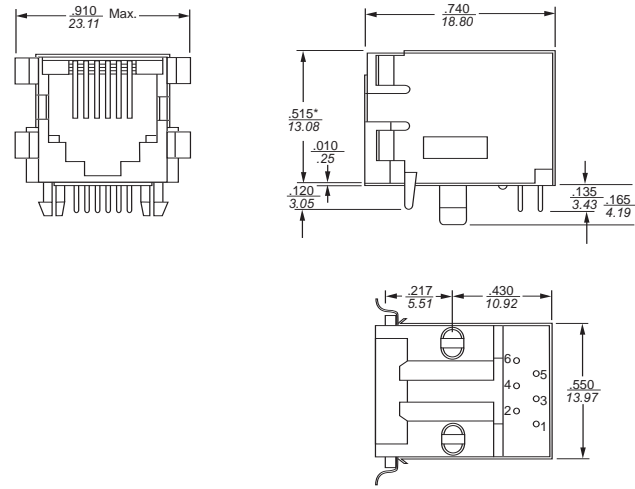


Part Numbers

RJ11-6N4-B RJ11-6N4-S

RJ11-6Z4

RJ45 Low Profile (No Shield)

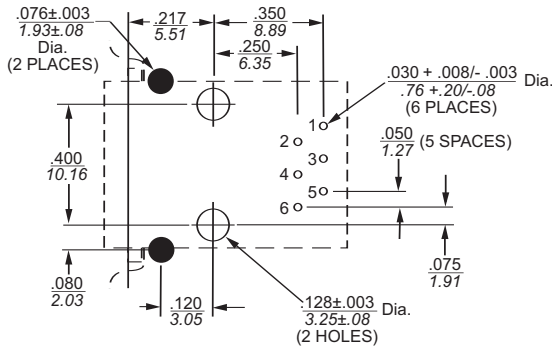


Part Numbers

RJ11-6N3-B RJ11-6N3-S

RJ11-6Z3

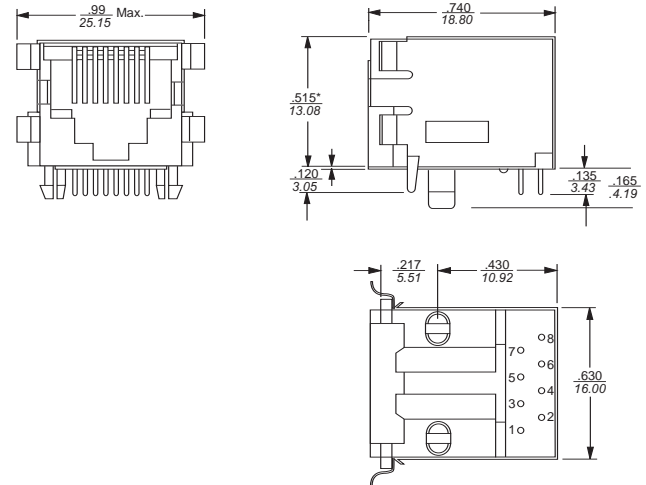
RJ11 Low Profile (PC Board Layout)



Shown from Component Side

For all RJ11 N and Z Series Models

RJ45 Low Profile (Style 3 Shield)



Part Numbers

RJ45-8N3-B RJ45-8N3-S

RJ45-8Z3

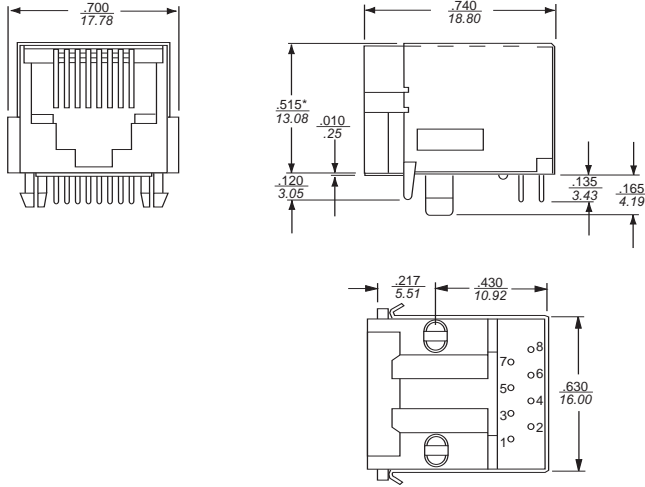
*To top of shield

Model Dimensions (Continued)

Low Profile RJ Jack Dimensions (cont'd)

For the N and Z Series of RJ Jack Filters

RJ45 Low Profile (Style 4 Shield)



Part Numbers

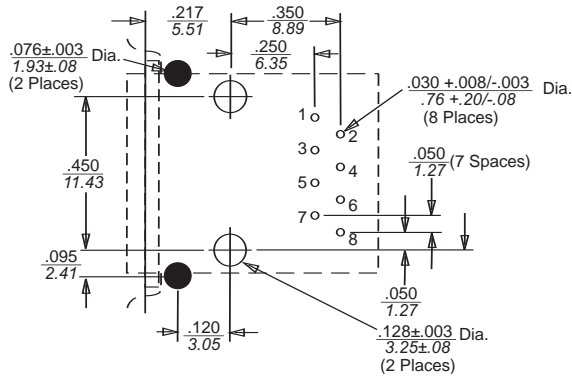
RJ45-8N4-B

RJ45-8N4-S

RJ45-8Z4

*To top of shield

RJ45 Low Profile (PC Board Layout)



Shown from Component Side

For all RJ45 N and Z Series Models

All tolerances ± 0.010 [0.25] unless otherwise noted.