

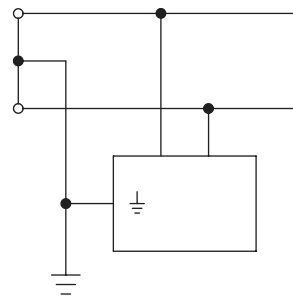
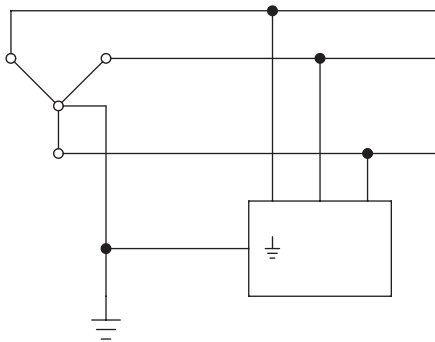


- These models are specifically designed for use in AC power line applications which may require European (CE) mark.
- They are designed for use in Single and Three-Phase applications for protection against "Common mode" noise transient surges.
- Three-Phase application include Delta and Wye connections to 500VAC.



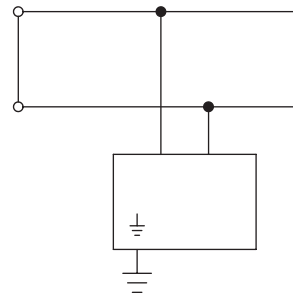
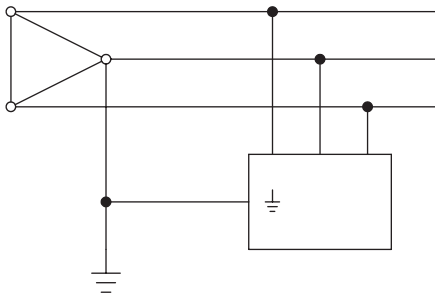
Safety Agency : Standard		Report NO.
TÜV	EN60099-1	J9551051
UL	UL1449	E143446
CSA	C22.2 No.8	LR105073

- Y connection



Y connection— 1φ ~ 430Vrms : R · A · V-781BWZ-4
 3φ ~ 430Vrms : R · A · V-781BXZ-4
 3φ ~ 500Vrms : R · A · V-801BXZ-4

- Δ connection



Δ connection— 1φ ~ 250Vrms : R · A · V-781BWZ-4
 3φ ~ 250Vrms : R · A · V-781BXZ-4
 3φ ~ 290Vrms : R · A · V-801BXZ-4

Electrical Specifications

Model Number	Rated Voltage		Power Frequency Sparkover Voltage (Ua)	Nominal Discharge Current (ins) 8/20μs	Max. Impulse Sparkover Voltage (us) 1.2/50μs	Max. Impulse Sparkover Voltage (usa) 10kV/μs	Max. Residual Voltage (ur) 8/20μs (2500A)
	Δ connection (L-L, L- $\frac{L}{\sqrt{3}}$)	Y connection (L- $\frac{L}{\sqrt{3}}$ / L-L)					
R · A · V-781BWZ-4	250Vrms	250/500Vrms	700 ±20%	2500A	2kV	3kV	2kV
R · A · V-781BWZ-5							
R · A · V-781BXZ-4	250Vrms	250/430Vrms	700 ±20%		2kV	3kV	2kV
R · A · V-781BXZ-5							
R · A · V-801BXZ-4	290Vrms	290/500Vrms	800 ±20%		2.32kV	3.48kV	2.32kV
R · A · V-801BXZ-5							

*RAV-XXX-4: Wire type
 RAV-XXX-5: Lead type



	BWZ Series (Single-Phase)	BXZ Series (Three-Phase)
Dimensions	<p>Wire terminal type (-4)</p> <p>Solder lead type (-5)</p> <p>Tolerances: ±1.0</p>	<p>Wire terminal type (-4)</p> <p>Solder lead type (-5)</p> <p>Tolerances: ±1.0</p>
Circuit		