



PO045-12D-9225B-4T PO045-24D-9225B-4T

Features

Size: 92 x 92 x 25 mm (3.62" x 3.62" x 1.0")
 Airflow: 45 CFM
 Lead Wire: AWG24 (UL1007)
 Weight: 101 g
 Noise: 31.3 dBA
 Impeller/Frame: Reinforced Plastic (UL94V-0)
 Bearings: Sealed Ball



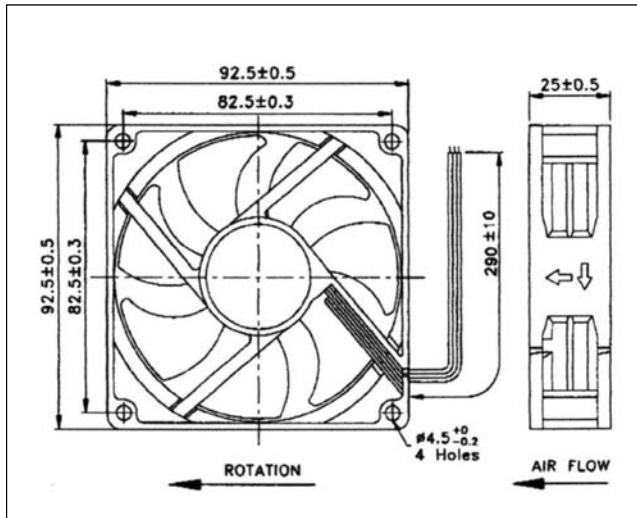
UL E101153



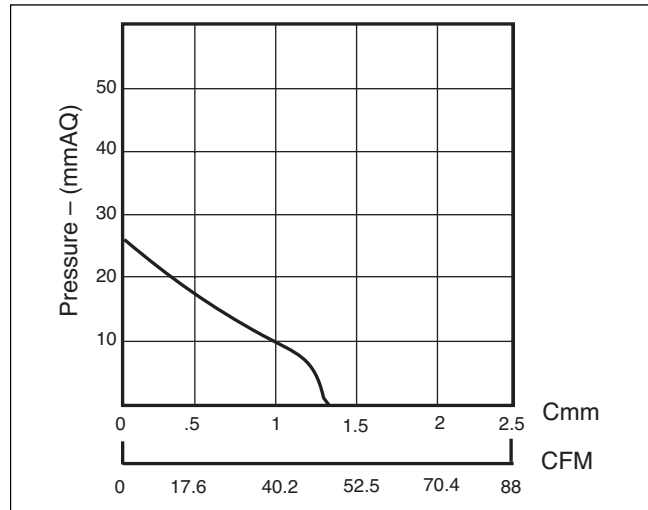
CSA LR74525

• RoHS Compliant

Dimensions – inches (mm)



Air Flow vs Air Pressure



Performance

| Type | Rated Voltage (V) | Rated Current (A) | | Max Air Flow (CFM) | Max Air Pressure (In H ₂ O) | Noise* (dBA) | Operating Voltage (V) | Operating Temperature (°C) | Life Expectancy (Hr) (@ 25°C ±15°) |
|--------------------|-------------------|-------------------|-------|--------------------|--|--------------|-----------------------|----------------------------|------------------------------------|
| | | Locked | Moved | | | | | | |
| PO045-12D-9225B-4T | 12 | .170 | . | 45 | 0.092 | 31.3 | 10.8~13.2 | -25 ~ +65 | 50,000 |
| PO045-24D-9225B-4T | 24 | .120 | . | 45 | 0.092 | 31.3 | 21.6~26.4 | -25 ~ +65 | 50,000 |

* Measured 1 m from intake