

## Miniature I<sup>2</sup>C Digital Barometer

The MPL115A2 is an absolute pressure sensor with digital output for low cost applications. A miniature 5 x 3 x 1.2 mm LGA package ideally suits it for portable electronics and space constrained applications. Low current consumptions of 5  $\mu$ A during Active mode and 1  $\mu$ A during Shutdown (Sleep) mode target battery and other low-power applications. A wide operating temperature range from -40°C to +105°C fits demanding environmental requirements.

MPL115A2 employs a MEMS pressure sensor with a conditioning IC to provide accurate pressure measurement from 50 to 115 kPa. An integrated ADC provides digitized temperature and pressure sensor outputs via an I<sup>2</sup>C port. Calibration Data is stored in internal ROM. Utilizing raw sensor output, the host microcontroller executes a compensation algorithm to render *Compensated Absolute Pressure* with 1 kPa accuracy.

The MPL115A2 pressure sensor's small form factor, low power capability, precision, and digital output optimize it for barometric measurement applications.

### Features

- Digitized pressure and temperature information together with programmed calibration coefficients for host micro use.
- Factory Calibrated
- 50 kPa to 115 kPa Absolute Pressure
- 1 kPa Accuracy
- 2.375 V to 5.5 V Supply
- Integrated ADC
- I<sup>2</sup>C Interface
- Monotonic Pressure and Temperature Data Outputs
- Surface Mount RoHS Compliant Package

## MPL115A2

50 to 115 kPa

### Application Examples

- Barometry (portable and desk-top)
- Altimeters
- Weather Stations
- Hard Disk-Drives (HDD)
- Industrial Equipment
- Health Monitoring
- Air Control Systems

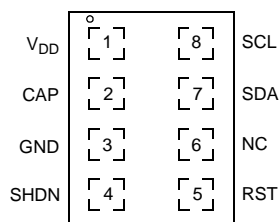
### ORDERING INFORMATION

Device Name	Package Options	Case No.	# of Ports			Pressure Type			Digital Interface
			None	Single	Dual	Gauge	Differential	Absolute	
MPL115A2T1	Tape & Reel	2015	•					•	I <sup>2</sup> C

### LGA PACKAGE



MPL115A2  
5.0 mm X 3.0 mm X 1.2 mm MAX



### PIN CONNECTIONS

### Pin Description

PIN	NAME	FUNCTION
1	VDD	VDD Power Supply Connection.
2	CAP	External Capacitor
3	GND	Ground
4	SHDN	Shutdown (Sleep): Connect to GND to disable the device.
5	RST	Reset: Drive line low to disable I <sup>2</sup> C communications.
6	NC	NC: No connection.
7	SDA <sup>(1)</sup>	SDA: Serial data I/O line.
8	SCL <sup>(1)</sup>	I <sup>2</sup> C Serial Clock Input.

1. Use 4.7k pull-up resistors for I<sup>2</sup>C communication.

## Maximum Ratings

Voltage (with respect to GND unless otherwise noted)

$V_{DD}$ .....	-0.3 V to +5.5 V
SCLK, $\overline{CS}$ , $D_{IN}$ , $D_{OUT}$ .....	-0.3 V to $V_{DD}+0.3$ V
Operating Temperature Range .....	-40°C to +105°C
Storage Temperature Range.....	-40°C to +125°C
Overpressure .....	1000 kPa

## Operating Characteristics

( $V_{DD}$  = 2.375 V to 5.5 V,  $T_A$  = -40°C to +105°C, unless otherwise noted. Typical values are at  $V_+ = 3.3$  V,  $T_A = +25^\circ\text{C}$ .)

Ref	Parameters	Symbol	Conditions	Min	Typ	Max	Units
1	Operating Supply Voltage	$V_{DD}$		2.375	3.3	5.5	V
2	Supply Current	$I_{DD}$	Shutdown (SHDN = GND)	—	—	1	$\mu\text{A}$
			Standby	—	3.5	10	$\mu\text{A}$
			Average – at one measurement per second	—	5	6	$\mu\text{A}$
<b>Pressure Sensor</b>							
3	Range			50	—	115	kPa
4	Resolution			—	0.15	—	kPa
5	Accuracy		-20°C to 85°C	—	$\pm 1$	—	kPa
6	Power Supply Rejection		Typical operating circuit at DC	—	0.1	—	kPa/V
			100 mV p-p 217 Hz square wave plus 100 mV pseudo random noise with 10 MHz bandwidth.	—	0.1	—	kPa
7	Conversion Time (Start Pressure Convert)	t <sub>cp</sub>	Time between start convert command and data available in the Pressure register	—	0.6	0.7	ms
<b>Temperature Sensor</b>							
8	Range			-40	—	105	°C
9	Conversion Time (Start Temperature Convert)	t <sub>ct</sub>	Time between start convert command and data available in the Temperature register	—	0.6	0.7	ms
10	Conversion Time (Start Both Convert)	t <sub>cb</sub>	Time between start convert command and data available in the Pressure and Temperature registers	—	0.8	1	ms
11	Resolution		Temperature ADC is 472 counts at 25°C	—	-5.35	—	counts/°C
<b>I<sup>2</sup>C I/O Stages: SCL, SDA</b>							
12	SCL Clock Frequency	f <sub>SCL</sub>		—	—	400	KHz
13	Low Level Input Voltage	V <sub>IL</sub>		—	—	0.3V <sub>DD</sub>	V
14	High Level Input Voltage	V <sub>IH</sub>		0.7V <sub>DD</sub>	—	—	V
<b>I<sup>2</sup>C Outputs: SDA</b>							
15	Data Setup Time	t <sub>SU</sub>	Setup time from command receipt to ready to transmit	100	—	—	ns
<b>I<sup>2</sup>C Addressing</b>							
MPL115A2 uses 7-bit addressing, does not acknowledge the general call address 0000000. Slave address has been set to 0x60 or 1100000.							

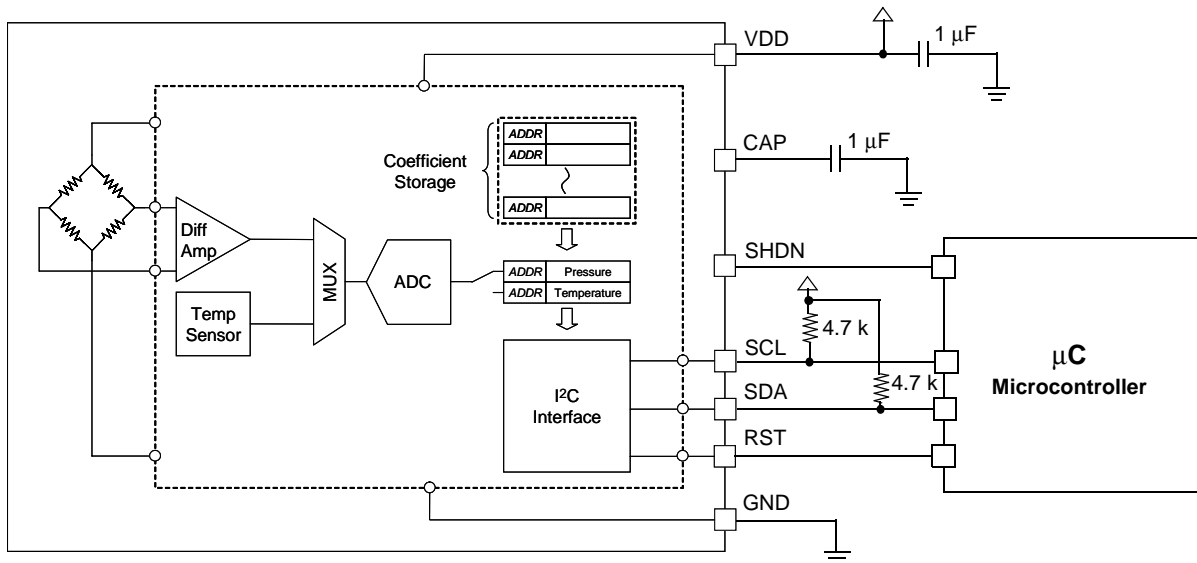


Figure 1. Block Diagram

## Compensation

The pressure compensation for MPL115A2 is based on a 2-dimensional, second order polynomial.

The 10-bit compensated pressure output,  $P_{comp}$ , is calculated as follows:

$$P_{comp} = a_0 + (b_1 + c_{11} \cdot P_{adc} + c_{12} \cdot T_{adc}) \cdot P_{adc} + (b_2 + c_{22} \cdot T_{adc}) \cdot T_{adc}$$

Where:

- $P_{adc}$  is the 10-bit pressure output of the MPL115A2 ADC,
- $T_{adc}$  is the 10-bit temperature output of the MPL115A2 ADC,
- $a_0$  is the pressure offset coefficient,
- $b_1$  is the pressure sensitivity coefficient,
- $c_{11}$  is the pressure linearity (2nd order) coefficient,
- $c_{12}$  is the coefficient for temperature sensitivity coefficient (TCS),
- $b_2$  is the 1st order temperature offset coefficient (TCO),
- $c_{22}$  is the 2nd order temperature offset coefficient.

Ideally,  $P_{comp}$  will produce a value of 0 with an input pressure of 50 kPa and will produce a full-scale value of 1023 with an input pressure of 115 kPa.

## Coefficient Bit-Width Specs

The table below specifies the initial coefficient bit-width specs for the compensation algorithm.

10-bit Output: Compensation Coefficient Specs							Total Coeff. Bits
	a0	b1	b2	c12	c11*	c22*	
<b>Total Bits</b>	16	16	16	14	11	11	84
<b>Sign Bits</b>	1	1	1	1	1	1	
<b>Integer Bits</b>	12	2	1	0	0	0	
<b>Fractional Bits</b>	4	13	14	13	11	10	
<b>dec pt zero pad</b>	—	—	—	9	11	15	

\* Factory reserves the option to make these values = 0.

Example Binary Format Definitions:

- Sign = 0, Integer Bits = 8, Fractional Bits = 4 :                      Coeff = S I<sub>7</sub> I<sub>6</sub> I<sub>5</sub> I<sub>4</sub> I<sub>3</sub> I<sub>2</sub> I<sub>1</sub> I<sub>0</sub> . F<sub>3</sub> F<sub>2</sub> F<sub>1</sub> F<sub>0</sub>
- Sign = 1, Integer Bits = 4, Fractional Bits = 7 :                      Coeff = S I<sub>3</sub> I<sub>2</sub> I<sub>1</sub> I<sub>0</sub> . F<sub>6</sub> F<sub>5</sub> F<sub>4</sub> F<sub>3</sub> F<sub>2</sub> F<sub>1</sub> F<sub>0</sub>
- Sign = 0, Integer Bits = 0, Fractional Bits = 6, dec pt zero pad = 2 :      Coeff = S 0 . 0 0 F<sub>5</sub> F<sub>4</sub> F<sub>3</sub> F<sub>2</sub> F<sub>1</sub> F<sub>0</sub>
- Sign = 0, Integer Bits = 0, Fractional Bits = 5, dec pt zero pad = 3 :      Coeff = S 0 . 0 0 0 F<sub>4</sub> F<sub>3</sub> F<sub>2</sub> F<sub>1</sub> F<sub>0</sub>

**NOTE:** Negative coefficients (Sign = 1) are coded in 2's complement notation.

## Coefficient Address Map

Address	Coefficient
\$04	a0 MS Byte
\$05	a0 LS Byte
\$06	b1 MS Byte
\$07	b1 LS Byte
\$08	b2 MS Byte
\$09	b2 LS Byte
\$0A	c12 MS Byte
\$0B	c12 LS Byte
\$0C	c11 MS Byte
\$0D	c11 LS Byte
\$0E	c22 MS Byte
\$0F	c22 LS Byte

For coefficients with less than 16 bits, the lower lsbs are zero. For example, c11 is 11 bits and is stored into 2 bytes as follows:

$$c11 \text{ MS byte} = c11[10:3] = [c11_{b10}, c11_{b9}, c11_{b8}, c11_{b7}, c11_{b6}, c11_{b5}, c11_{b4}, c11_{b3}]$$

$$c11 \text{ LS byte} = c11[2:0] \& \text{ "00000"} = [c11_{b2}, c11_{b1}, c11_{b0}, 0, 0, 0, 0, 0]$$

## Solder Recommendations

1. Use SAC solder alloy (i.e., Sn-Ag-Cu) with a melting point of about 217°C. It is recommended to use SAC305 (i.e., Sn-3.0 wt.% Ag-0.5 wt.% Cu).
2. Reflow
  - Ramp up rate: 2 to 3 C/s.
  - Preheat flat (soak): 110 to 130s.
  - Reflow peak temperature: 250°C to 260°C (depends on exact SAC alloy composition).
  - Time above 217°C: 40 to 90s (depends on board type, thermal mass of the board/quantities in the reflow).
  - Ramp down: 5 to 6 C/s.
  - Using an inert reflow environment (with O<sub>2</sub> level about 5 to 15 ppm).

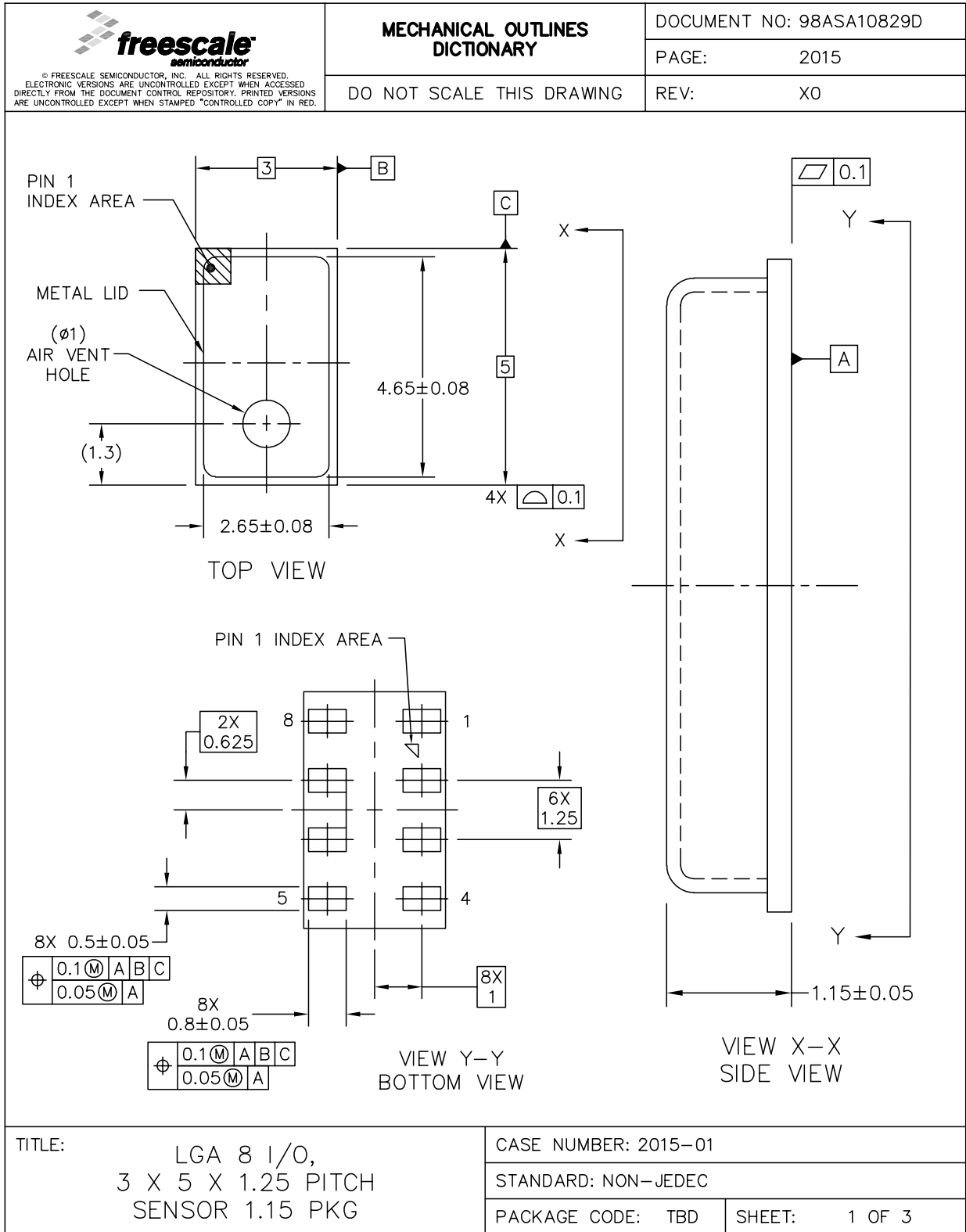
**NOTE:** The stress level and signal offset of the device also depends on the board type, board core material, board thickness and metal finishing of the board.

## Handling Recommendations

It is recommended to handle the MPL115A Pressure Sensor with a vacuum pick and place tool. Sharp objects utilized to move the MPL115A Pressure Sensor increase the possibility of damage via a foreign object/tool into the small exposed port.


The sensor die is sensitive to light exposure. Direct light exposure through the port hole can lead to varied accuracy of pressure measurement. Avoid such exposure to the port during normal operation.

PACKAGE DIMENSIONS



**CASE 2015-01  
ISSUE 0  
LGA PACKAGE**

## PACKAGE DIMENSIONS

 <small>© FREESCALE SEMICONDUCTOR, INC. ALL RIGHTS RESERVED. ELECTRONIC VERSIONS ARE UNCONTROLLED EXCEPT WHEN ACCESSED DIRECTLY FROM THE DOCUMENT CONTROL REPOSITORY. PRINTED VERSIONS ARE UNCONTROLLED EXCEPT WHEN STAMPED "CONTROLLED COPY" IN RED.</small>	<b>MECHANICAL OUTLINES DICTIONARY</b>		DOCUMENT NO: 98ASA10829D									
	DO NOT SCALE THIS DRAWING		PAGE:	2015								
			REV:	X0								
<p>NOTES:</p> <ol style="list-style-type: none"> <li>ALL DIMENSIONS IN MILLIMETERS.</li> <li>DIMENSIONING AND TOLERANCING PER ASME Y14.5M-1994</li> <li>STYLE: <table style="margin-left: 20px; border: none;"> <tr> <td>PIN 1: VDD</td> <td>PIN 5: CS</td> </tr> <tr> <td>PIN 2: CAP</td> <td>PIN 6: DOUT</td> </tr> <tr> <td>PIN 3: GND</td> <td>PIN 7: DIN</td> </tr> <tr> <td>PIN 4: SHDN</td> <td>PIN 8: SCLK</td> </tr> </table> </li> </ol>					PIN 1: VDD	PIN 5: CS	PIN 2: CAP	PIN 6: DOUT	PIN 3: GND	PIN 7: DIN	PIN 4: SHDN	PIN 8: SCLK
PIN 1: VDD	PIN 5: CS											
PIN 2: CAP	PIN 6: DOUT											
PIN 3: GND	PIN 7: DIN											
PIN 4: SHDN	PIN 8: SCLK											
TITLE:		LGA 8 I/O, 3 X 5 X 1.25 PITCH SENSOR 1.15MM PKG		<table border="1" style="width: 100%; border-collapse: collapse;"> <tr> <td colspan="2">CASE NUMBER: 2015-01</td> </tr> <tr> <td colspan="2">STANDARD: NON-JEDEC</td> </tr> <tr> <td>PACKAGE CODE: TBD</td> <td>SHEET: 2</td> </tr> </table>	CASE NUMBER: 2015-01		STANDARD: NON-JEDEC		PACKAGE CODE: TBD	SHEET: 2		
CASE NUMBER: 2015-01												
STANDARD: NON-JEDEC												
PACKAGE CODE: TBD	SHEET: 2											

**CASE 2015-01  
ISSUE 0  
LGA PACKAGE**

MPL115A2

## **How to Reach Us:**

### **Home Page:**

[www.freescale.com](http://www.freescale.com)

### **Web Support:**

<http://www.freescale.com/support>

### **USA/Europe or Locations Not Listed:**

Freescale Semiconductor, Inc.  
Technical Information Center, EL516  
2100 East Elliot Road  
Tempe, Arizona 85284  
1-800-521-6274 or +1-480-768-2130  
[www.freescale.com/support](http://www.freescale.com/support)

### **Europe, Middle East, and Africa:**

Freescale Halbleiter Deutschland GmbH  
Technical Information Center  
Schatzbogen 7  
81829 Muenchen, Germany  
+44 1296 380 456 (English)  
+46 8 52200080 (English)  
+49 89 92103 559 (German)  
+33 1 69 35 48 48 (French)  
[www.freescale.com/support](http://www.freescale.com/support)

### **Japan:**

Freescale Semiconductor Japan Ltd.  
Headquarters  
ARCO Tower 15F  
1-8-1, Shimo-Meguro, Meguro-ku,  
Tokyo 153-0064  
Japan  
0120 191014 or +81 3 5437 9125  
[support.japan@freescale.com](mailto:support.japan@freescale.com)

### **Asia/Pacific:**

Freescale Semiconductor China Ltd.  
Exchange Building 23F  
No. 118 Jianguo Road  
Chaoyang District  
Beijing 100022  
China  
+86 010 5879 8000  
[support.asia@freescale.com](mailto:support.asia@freescale.com)

### **For Literature Requests Only:**

Freescale Semiconductor Literature Distribution Center  
1-800-441-2447 or +1-303-675-2140  
Fax: +1-303-675-2150  
[LDCForFreescaleSemiconductor@hibbertgroup.com](mailto:LDCForFreescaleSemiconductor@hibbertgroup.com)

Information in this document is provided solely to enable system and software implementers to use Freescale Semiconductor products. There are no express or implied copyright licenses granted hereunder to design or fabricate any integrated circuits or integrated circuits based on the information in this document.

Freescale Semiconductor reserves the right to make changes without further notice to any products herein. Freescale Semiconductor makes no warranty, representation or guarantee regarding the suitability of its products for any particular purpose, nor does Freescale Semiconductor assume any liability arising out of the application or use of any product or circuit, and specifically disclaims any and all liability, including without limitation consequential or incidental damages. "Typical" parameters that may be provided in Freescale Semiconductor data sheets and/or specifications can and do vary in different applications and actual performance may vary over time. All operating parameters, including "Typicals", must be validated for each customer application by customer's technical experts. Freescale Semiconductor does not convey any license under its patent rights nor the rights of others. Freescale Semiconductor products are not designed, intended, or authorized for use as components in systems intended for surgical implant into the body, or other applications intended to support or sustain life, or for any other application in which the failure of the Freescale Semiconductor product could create a situation where personal injury or death may occur. Should Buyer purchase or use Freescale Semiconductor products for any such unintended or unauthorized application, Buyer shall indemnify and hold Freescale Semiconductor and its officers, employees, subsidiaries, affiliates, and distributors harmless against all claims, costs, damages, and expenses, and reasonable attorney fees arising out of, directly or indirectly, any claim of personal injury or death associated with such unintended or unauthorized use, even if such claim alleges that Freescale Semiconductor was negligent regarding the design or manufacture of the part.

Freescale™ and the Freescale logo are trademarks of Freescale Semiconductor, Inc., Reg. U.S. Pat. & Tm. Off. All other product or service names are the property of their respective owners.

© Freescale Semiconductor, Inc. 2010. All rights reserved.

