



SANYO Semiconductors

# DATA SHEET

## LV8075LP — Bi-CMOS LSI Constant-voltage Control 1-channel Forward/Reverse Motor Driver

### Overview

LV8075LP is a constant voltage control 1-channel forward/reverse motor driver IC.

### Features

- Constant voltage control forward/reverse H-bridge  
Parallel input-Analog value must be entered for constant voltage reference input  
 $V(\text{OUT}) = V(\text{VC}) \times 2.0$
- Built-in thermal protection circuit and under-voltage detection protection circuit

### Specifications

**Absolute Maximum Ratings** at  $T_a = 25^\circ\text{C}$ ,  $\text{SGND} = \text{PGND} = 0\text{V}$

Parameter	Symbol	Conditions	Ratings	Unit
Maximum control power supply voltage	$V_{CC}$ max		6	V
Maximum load power supply voltage	$V_M$ max		6	V
Maximum control pin voltage	$V_C$ max		6	V
Maximum output current	$I_O$ max	OUT1, 2	0.5	A
VREF maximum current	$I_{REF}$ max	VREF	1	mA
Allowable power dissipation	$P_d$ max	Mounted on a circuit board*	700	mW
Operating temperature	$T_{opr}$		-30 to +85	$^\circ\text{C}$
Storage temperature	$T_{stg}$		-40 to +150	$^\circ\text{C}$

\* Specified circuit board :  $40.0 \times 50.0 \times 0.8\text{mm}^3$  : glass epoxy four-layer board

■ Any and all SANYO Semiconductor Co.,Ltd. products described or contained herein are, with regard to "standard application", intended for the use as general electronics equipment (home appliances, AV equipment, communication device, office equipment, industrial equipment etc.). The products mentioned herein shall not be intended for use for any "special application" (medical equipment whose purpose is to sustain life, aerospace instrument, nuclear control device, burning appliances, transportation machine, traffic signal system, safety equipment etc.) that shall require extremely high level of reliability and can directly threaten human lives in case of failure or malfunction of the product or may cause harm to human bodies, nor shall they grant any guarantee thereof. If you should intend to use our products for applications outside the standard applications of our customer who is considering such use and/or outside the scope of our intended standard applications, please consult with us prior to the intended use. If there is no consultation or inquiry before the intended use, our customer shall be solely responsible for the use.

■ Specifications of any and all SANYO Semiconductor Co.,Ltd. products described or contained herein stipulate the performance, characteristics, and functions of the described products in the independent state, and are not guarantees of the performance, characteristics, and functions of the described products as mounted in the customer's products or equipment. To verify symptoms and states that cannot be evaluated in an independent device, the customer should always evaluate and test devices mounted in the customer's products or equipment.

**SANYO Semiconductor Co., Ltd.**

TOKYO OFFICE Tokyo Bldg., 1-10, 1 Chome, Ueno, Taito-ku, TOKYO, 110-8534 JAPAN

# LV8075LP

**Allowable Operating Range** at  $T_a = 25^\circ\text{C}$ ,  $\text{SGND} = \text{PGND} = 0\text{V}$

Parameter	Symbol	Conditions	Ratings	Unit
Control power-supply voltage	$V_{\text{CC}}$		2.5 to 5.5	V
Load power-supply voltage	$V_{\text{M}}$		2.5 to 5.5	V
Output control input voltage	$V_{\text{cont}}$	VC pin	0 to $V_{\text{CC}}-1$	V
Input pin "H" voltage	$V_{\text{INH}}$	IN1, 2, EN pin	$V_{\text{CC}} \times 0.6$ to $V_{\text{CC}}$	V
Input pin "L" voltage	$V_{\text{INL}}$	IN1, 2, EN pin	-0.1 to $V_{\text{CC}} \times 0.2$	V

**Electrical Characteristics** at  $T_a = 25^\circ\text{C}$ ,  $V_{\text{CC}} = V_{\text{M}} = 3.0\text{V}$ ,  $\text{PGND} = \text{SGND} = 0\text{V}$ , unless otherwise specified.

Parameter	Symbol	Conditions	Ratings			Unit
			min	typ	max	
Standby current consumption 1	$I_{\text{CCO}}$	EN, IN1, 2 = H/L/L or EN = L			1	$\mu\text{A}$
Standby current consumption 1	$I_{\text{MO}}$	EN, IN1, 2 = H/L/L or EN = L			1	$\mu\text{A}$
Operating current consumption	$V_{\text{CC1}}$	EN = H, IN1 or IN2 = H		0.5	1.0	mA
H-level input current	$I_{\text{INH}}$	200k $\Omega$ pull-down, $V_{\text{IN}} = 3\text{V}$	10	15	20	$\mu\text{A}$
L-level input current	$I_{\text{INL}}$	$V_{\text{IN}} = 0\text{V}$		0	1	$\mu\text{A}$
Reference voltage output	$V_{\text{REF}}$	$I_{\text{REF}} = 500\mu\text{F}$	1.4	1.5	1.6	V
Output on-resistance	$R_{\text{on1}}$	Total of top and bottom		1.75	2.5	$\Omega$
Constant-voltage control output voltage	$V_{\text{OUT}}$	VC = 1.0V	1.94	2.0	2.06	V
Under-voltage detection operating voltage	$V_{\text{CS}}$	$V_{\text{CC}}$ Voltage	2.1	2.2	2.35	V
Thermal protection temperature	TSD	Design guarantee value*	150	180	210	$^\circ\text{C}$
Output rise time	$T_{\text{r}}$	(Note)		1.6	3.0	$\mu\text{s}$
Output fall time	$T_{\text{f}}$	(Note)		0.2	1.0	$\mu\text{s}$

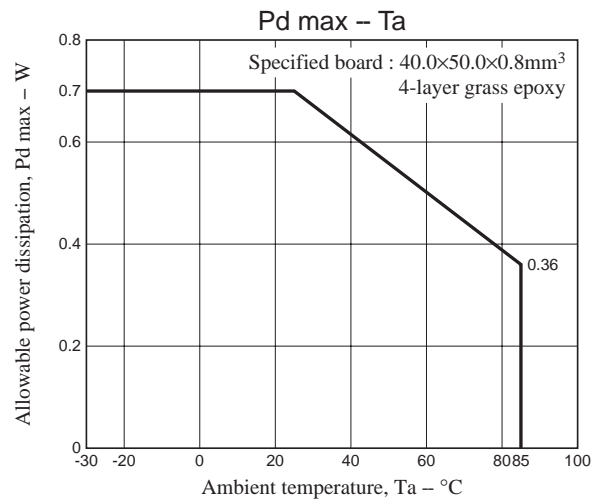
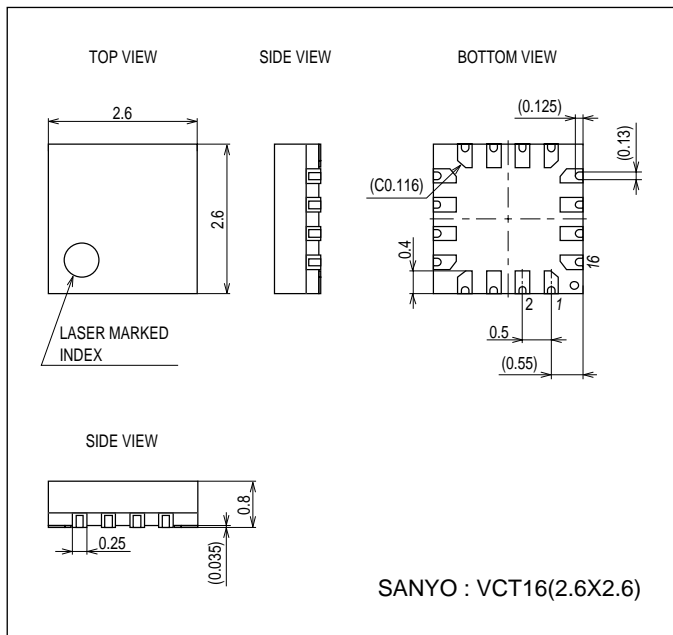
\* Design guarantee value and no measurement is made.

Note : Specify rising control start time  $\rightarrow$  90% of OUT output voltage, and falling control start time  $\rightarrow$  10% of OUT output voltage.

## Package Dimensions

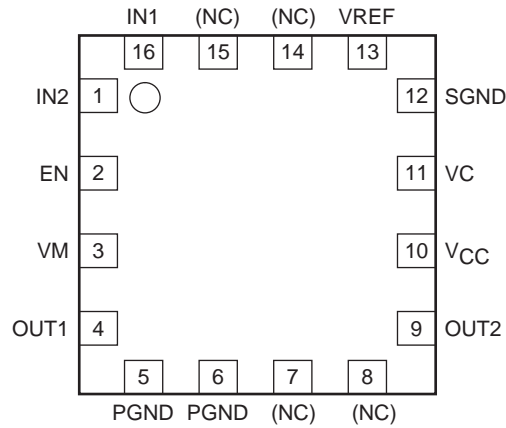
unit : mm (typ)

3318



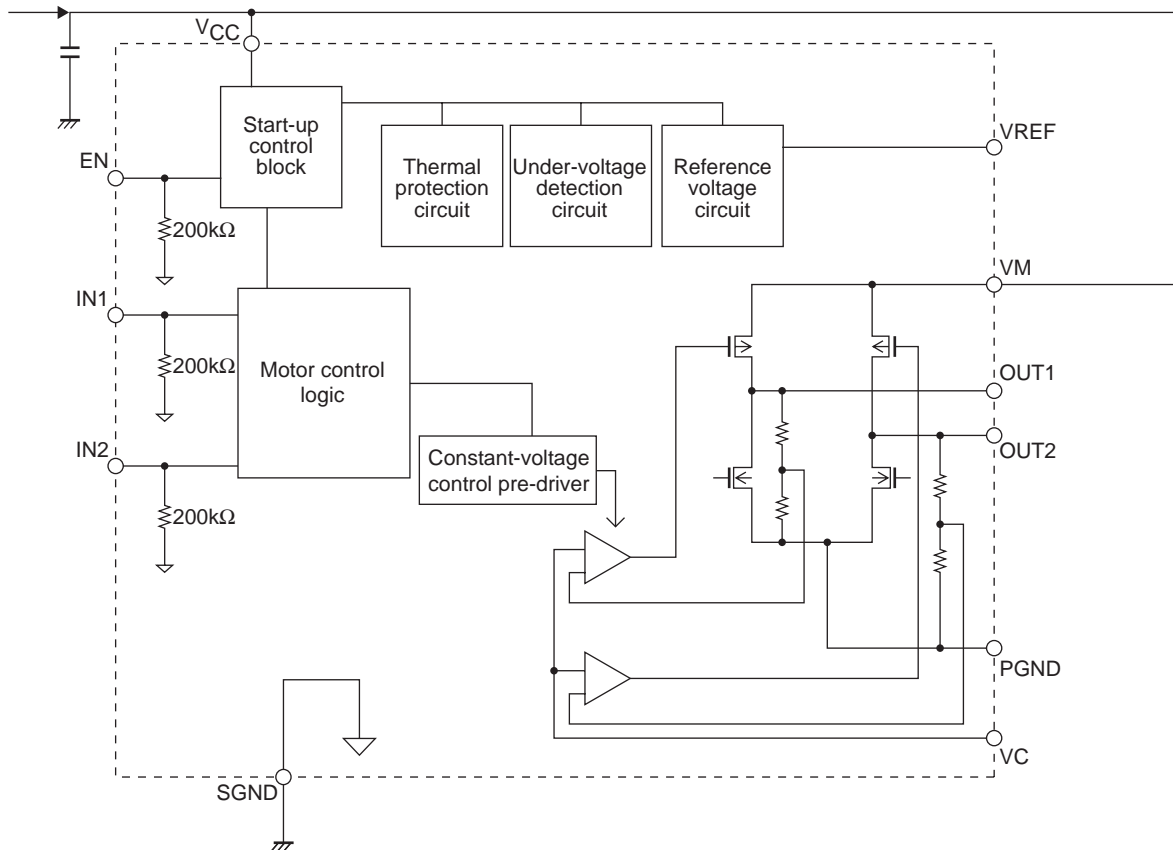
# LV8075LP

## Pin Assignment



Top view

## Block Diagram



## Truth Table

Constant voltage output H-bridge

EN	IN1	IN2	OUT1	OUT2	Mode
H	H	H	L	L	Brake
	H	L	H	L	Forward evolution
	L	H	L	H	Reverse rotation
	L	L	off	off	Stand by
L	-	-	off	off	Stand by

"-" entries indicate don't care state, "off" indicates output off state, insert 20kΩ impedance across PGND.

Constant voltage output value :  $V(OUT) = V(VC) \times 2.0$

# LV8075LP

## Pin Functions

Pin No.	Pin name	Description
10	V <sub>CC</sub>	Power supply pin for control
5, 6	PGND	Power ground pins for IC
12	SGND	IC system ground
3	VM	Power supply pin for constant voltage output H-bridge
2	EN	IC enable pin. Power-saving mode is established when L-level is applied. Pulled-down with 200kΩ
16, 1	IN1, 2	Input pins for manipulating constant-current output H-bridge (OUT1, 2). Pulled-down with 200kΩ
4, 9	OUT1, 2	Constant voltage H-bridge output pins
13	VREF	Reference voltage output, outputs 1.5V
11	VC	Analog voltage input pin for constant voltage setting. Must be short-circuited to V <sub>CC</sub> pin when using saturation control.

- SANYO Semiconductor Co.,Ltd. assumes no responsibility for equipment failures that result from using products at values that exceed, even momentarily, rated values (such as maximum ratings, operating condition ranges, or other parameters) listed in products specifications of any and all SANYO Semiconductor Co.,Ltd. products described or contained herein.
- SANYO Semiconductor Co.,Ltd. strives to supply high-quality high-reliability products, however, any and all semiconductor products fail or malfunction with some probability. It is possible that these probabilistic failures or malfunction could give rise to accidents or events that could endanger human lives, trouble that could give rise to smoke or fire, or accidents that could cause damage to other property. When designing equipment, adopt safety measures so that these kinds of accidents or events cannot occur. Such measures include but are not limited to protective circuits and error prevention circuits for safe design, redundant design, and structural design.
- In the event that any or all SANYO Semiconductor Co.,Ltd. products described or contained herein are controlled under any of applicable local export control laws and regulations, such products may require the export license from the authorities concerned in accordance with the above law.
- No part of this publication may be reproduced or transmitted in any form or by any means, electronic or mechanical, including photocopying and recording, or any information storage or retrieval system, or otherwise, without the prior written consent of SANYO Semiconductor Co.,Ltd.
- Any and all information described or contained herein are subject to change without notice due to product/technology improvement, etc. When designing equipment, refer to the "Delivery Specification" for the SANYO Semiconductor Co.,Ltd. product that you intend to use.
- Information (including circuit diagrams and circuit parameters) herein is for example only; it is not guaranteed for volume production.
- Upon using the technical information or products described herein, neither warranty nor license shall be granted with regard to intellectual property rights or any other rights of SANYO Semiconductor Co.,Ltd. or any third party. SANYO Semiconductor Co.,Ltd. shall not be liable for any claim or suits with regard to a third party's intellectual property rights which has resulted from the use of the technical information and products mentioned above.

This catalog provides information as of May, 2008. Specifications and information herein are subject to change without notice.