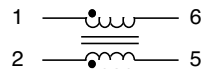


- 500 Vrms Isolation •
- 100 mA max rated DC current on both coils •

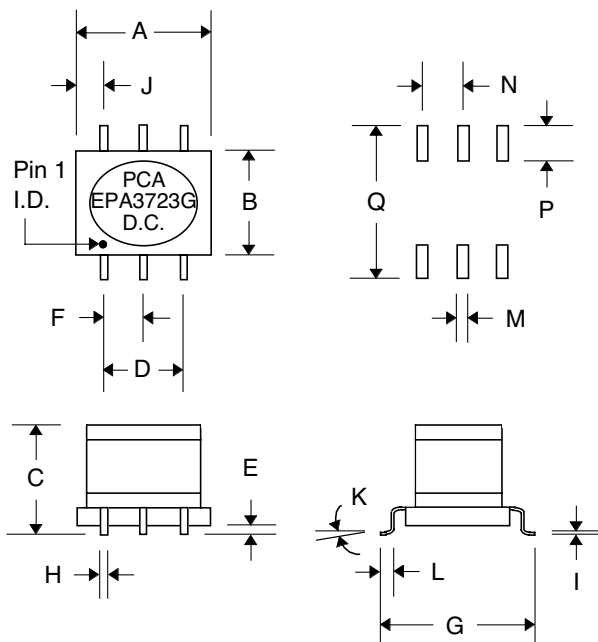
Electrical Parameters @ 25° C

Inductance ($\mu\text{H} \pm 5\%$) (@ 0 DC)	Inductance ($\mu\text{H Min.}$) (@100mA DC bias)	Turns Ratio	DCR (Ω Max)
@ 1 KHz 0.1 Vrms	@ 1 KHz 0.1 Vrms		
170	160	1:1	4.5
Pins 1-6	Pins 1-6	Pins 1-6 : 2-5	Each Winding

Schematic



Package



Dimensions

Dim.	(Inches)			(Millimeters)		
	Min.	Max.	Nom.	Min.	Max.	Nom.
A	.210	.230	.220	5.33	5.84	5.59
B	.200	.220	.210	5.08	5.59	5.33
C	.240	.260	.250	6.10	6.60	6.35
D	---	---	.150	---	---	3.81
E	.005	.015	.010	.127	.381	.250
F	---	---	.075	---	---	1.90
G	.305	.325	.315	7.75	8.25	8.00
H	.016	.022	.019	.410	.559	.480
I	---	---	.010	---	---	.250
J	---	---	.035	---	---	.890
K	0°	8°	4°	0°	8°	4°
L	.025	.045	.035	.636	1.14	.890
M	---	---	.045	---	---	1.14
N	---	---	.075	---	---	1.90
P	---	---	.060	---	---	1.52
Q	---	---	.330	---	---	8.38