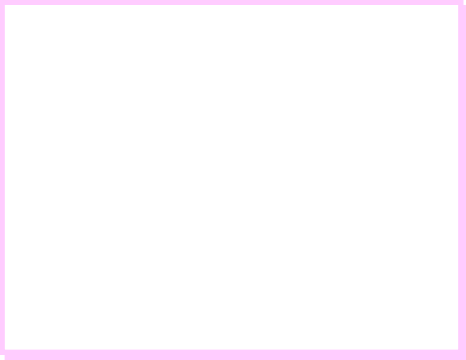


EPA3457G

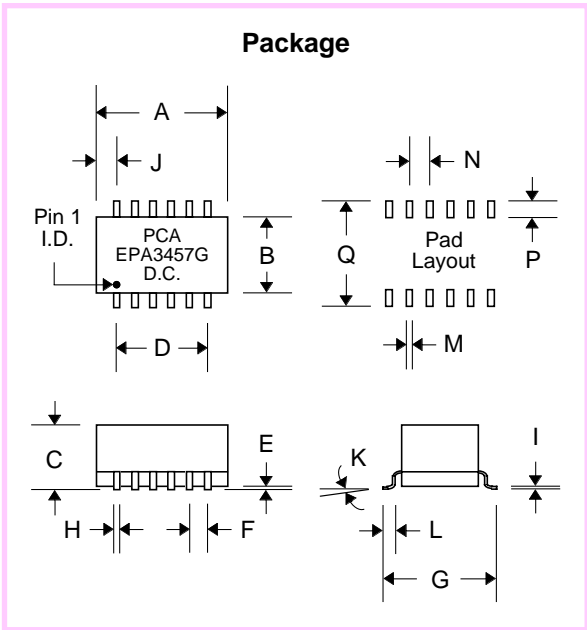
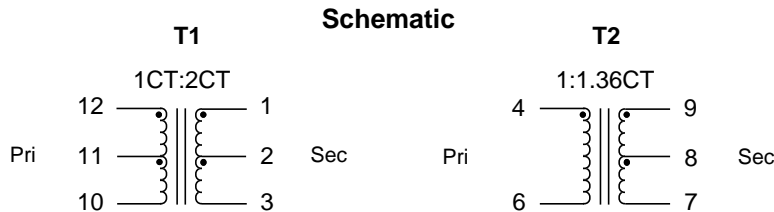


- Optimized for Brooktree B8360 & B8370 •
Crystal CS6152, Dallas D52154L and Exar T5684
- Operating Temperature -40°C to 85°C •
- 1500 Vrms Isolation •

Electrical Parameters @ 25° C

Primary Inductance (1 mH Min. @ -40°C)		Interwinding Capacitance		Leakage Inductance		DCR (Ω Max.)			
@ 100 KHz, 0.1 Vrms		@ 100 KHz, 0.1 Vrms		@ 100 KHz, 0.1 Vrms					
T1	T2	T1	T2	T1	T2	T1		T2	
1.6 mH Min.	1.6 mH Min.	60 pF Max.	55 pF Max.	1.0 μH Max.	0.8 μH Max.	1.7	2.0	1.7	1.7
Pins 12-10	Pins 4-6			Pins 12-10	Pins 4-6	Pins 12-10	Pins 1-3	Pins 4-6	Pins 9-7

• Crosstalk : -50 dB Typ. @ 100 KHz to 10 MHz •



Dimensions

Dim.	(Inches)			(Millimeters)		
	Min.	Max.	Nom.	Min.	Max.	Nom.
A	.660	.680	.670	16.76	17.27	17.02
B	.430	.450	.440	10.92	11.43	11.18
C	.320	.340	.330	8.13	8.64	8.39
D	---	---	.500	---	---	12.70
E	.010	.015	---	.254	.381	---
F	---	---	.100	---	---	2.54
G	.540	.560	.550	13.72	14.22	13.97
H	---	---	.020	---	---	.508
I	---	---	.010	---	---	.254
J	---	---	.085	---	---	2.16
K	0°	8°	---	0°	8°	---
L	.025	.045	.035	.635	1.14	.889
M	---	---	.030	---	---	.762
N	---	---	.100	---	---	2.54
P	---	---	.085	---	---	2.16
Q	---	---	.610	---	---	15.50