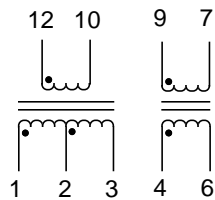


- SMD Package •
- 1500 Vrms Isolation •
- Transmit and Receive Transformers in one package •

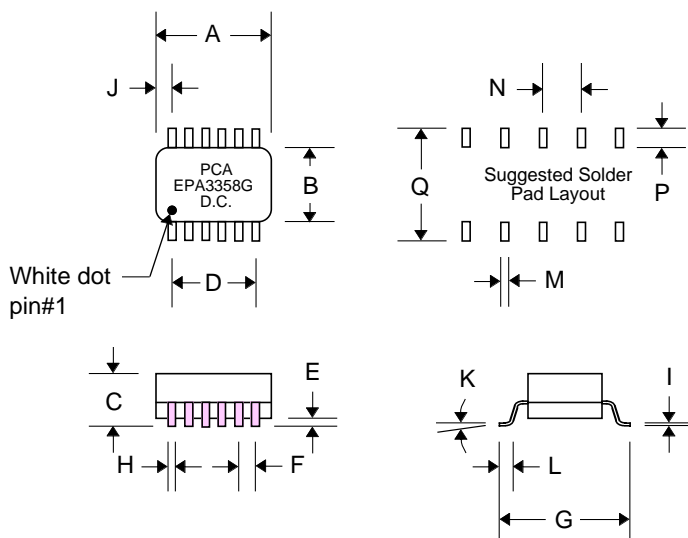
Electrical Parameters @ 25° C

Primary Inductance (mH Min.)		Leakage Inductance (μH Max.)		Wdg Capacitance (pF Max.)		Turns Ratio (± 5%)		DCR (Ω Max.)	
Pins 12-10	Pins 4-6	A	B	A	B	A	B	Primary	Secondary
1.2	1.2	.50	.50	35	35	1:2 CT	1:1.36	.88	1.80

Schematic



Package



Dimensions

Dim.	(Inches)			(Millimeters)		
	Min.	Max.	Nom.	Min.	Max.	Nom.
A	.590	.610		14.99	15.49	
B	.380	.400		9.65	10.16	
C	.260	.280		6.60	7.11	
D	.500	Typ.		12.70	Typ.	
E	.005	.015		.127	.381	
F	.100	Typ.		2.54	Typ.	
G	.490	.510		12.45	12.95	
H	.016	.022		.406	.559	
I	.010	Typ.		.254	Typ.	
J	.050	Typ.		1.27	Typ.	
K	0°	8°		0°	8°	
L	.025	.045		.635	1.14	
M			.030			.762
N			.100			2.54
P			.092			2.34
Q			.540			13.72