

DS3/ E3/ STS-1 Wideband Transformer

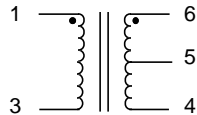
EPA3285

- Matched to SSI78P7200, 2361, 2362 and MRT TXC-02050, E3 Tranceiver IC's •
- Isolation 1500 Vrms •
- Operating Temperature : 0°C to 70°C •

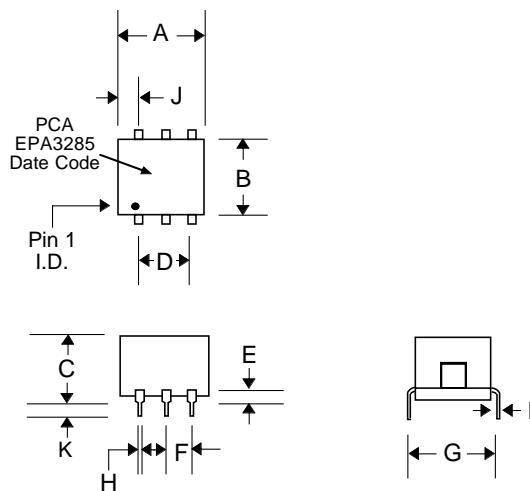
Electrical Parameters @ 25° C

Pri. OCL (uH Min.)	Interwinding Capacitance (pF Max.)	Leakage Inductance (uH Max.)	Bandwidth (MHz Typ.)	Turns Ratio (±2%)
Pins 1-3	Pri. to Sec.	Measure Pins 1-3 Short Pins 6-4	@ 75 Ω System	Pri. : Sec.
25	8	0.09	0.250-500	1 : 2 CT

Schematic



Package



Dimensions

Dim.	(Inches)			(Millimeters)		
	Min.	Max.	Nom.	Min.	Max.	Nom.
A	.300	.320	.310	7.62	8.13	7.88
B	.260	.280	.270	6.60	7.12	6.86
C	.380	.400	.390	9.65	10.16	9.91
D	---	---	.200	---	---	5.08
E	.020	---	---	.510	---	---
F	---	---	.100	---	---	2.54
G	.355	.365	.360	9.02	9.28	9.14
H	.015	.025	.020	.381	.635	.508
I	.008	.012	.010	.203	.305	.254
J	---	---	.045	---	---	1.14
K	.125	.155	.140	3.18	3.94	3.56