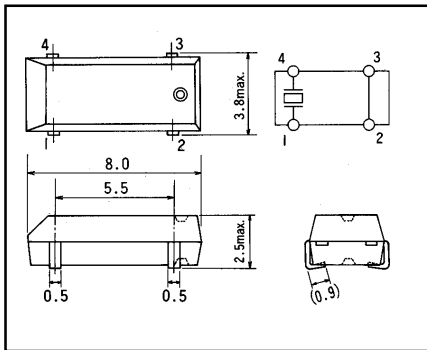


**32.768 kHz**

**Hohe Zuverlässigkeit für Reflow-Lötbedingungen**

Der CM200S Uhrenquarz enthält einen kunststoffumspritzten Zylinderquarz.

Die Auslieferform erfolgt im Blistergurt gemäß der Zeichnung auf der nächsten Seite.

**High Reliability for reflow solderability**

The CM200S watch crystal is a plastic moulded cylinder crystals.

Supply with tape and reel – see drawing on the next page.

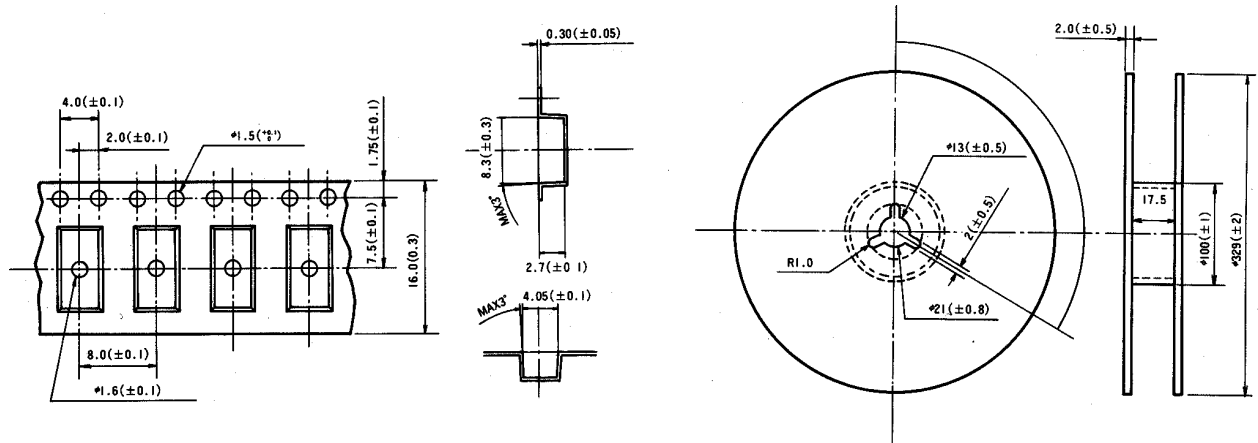
<b>Nominal Frequency</b>	32.768 kHz
<b>Frequency Tolerance</b>	±30 ppm (at 25°C ±2°C)
<b>Turnover Temperature</b>	+25°C ±5°C
<b>Frequency Temperature Coefficient</b>	-0.034 ±0.006 ppm/°C <sup>2</sup> typ.
<b>Frequency Stability</b>	±50 ppm (*NOTE 1)
<b>Operating Temperature Range</b>	-40°C ~ +85°C
<b>Storage Temperature Range</b>	-55°C ~ +125°C
<b>Shunt Capacitance C<sub>0</sub></b>	1.35 pF typ.
<b>Motional Capacitance C<sub>1</sub></b>	3 fF typ.
<b>Capacitance Ratio</b>	450 typ.
<b>Equivalent Series Resistance (R<sub>1</sub>)</b>	50kΩ max.
<b>Load Capacitance (C<sub>L</sub>)</b>	12.5 pF
<b>Drive Level</b>	1 μW max.
<b>Aging (First Year)</b>	± 3 ppm max.
<b>Shock Resistance (*NOTE 2)</b>	± 5 ppm max.
<b>Insulation Resistance</b>	500MΩ min at. 100 VDC ±15 V
<b>Leakage</b>	0,01ppm atm. cc/sec max.

\*NOTE 1: Referred to +25°C within -10°C to +60°C.

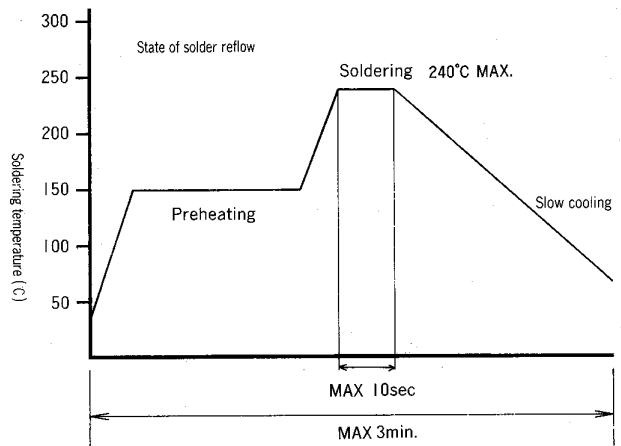
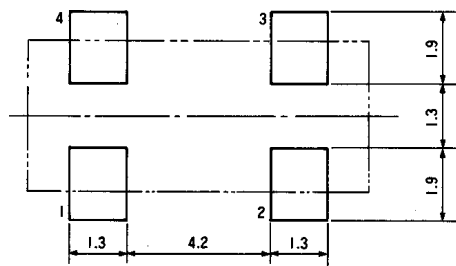
\*NOTE 2: Drop test of 3 times on a hard wooden board from 75cm height.

32.768 kHz

**Gurtung (Taping)**



**Anschlußbelegung (Pad Location)**



Bestempfung (Marking)
1 Zeile
7 Zeichen, Frequenz incl. Dezimalpunkt
1 line
7 digits, incl. decimal point

Gurtung (Taping)
1000 Stück pro Rolle
1000 pieces per reel

Anschlüsse (Pin Connections)	
# 1	Quarz (Crystal)
# 2	N.C.
# 3	N.C.
# 4	Quarz (Crystal)